

MİMARİ KATALOG
ARCHITECTURAL CATALOGUE

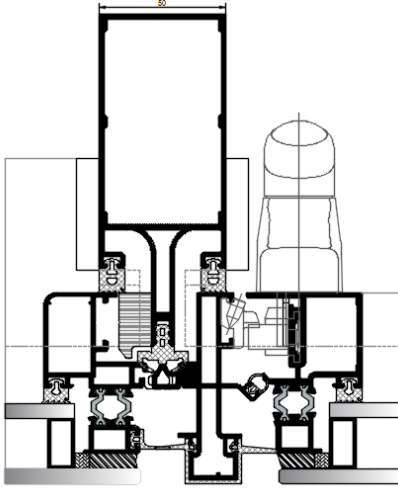
Alüminyum Kapı Pencere ve Giydirme Cephe Sistemleri
Aluminium Window Doors and Facade Systems



SİLİKON CEPHE
İÇE AÇILIM GİZLİ KANAT SİSTEMİ

STRUCTURAL GLAZING
INSIDE OPENING HIDDEN VENT SYSTEM

R50TT



TEKNİK ÖZELLİKLERİ / TECHNICAL PROPERTIES

PROFİL GENİŞLİĞİ / PROFILE WIDTH	50 mm
DİKME DERİNLİKLERİ / MULLION DEPTHS	min. 80mm - max. 200mm
KAYIT DERİNLİKLERİ / TRANSOM DEPTHS	min. 30mm - max. 146mm
PROFİL ET KALINLIĞI / PROFILE WALL THICKNESS	1,6/ 1,8/ 2/ 2,2/ 2,5/ 3 mm
KASETLİ MAX.CAM KALINLIĞI / WITH STRUCTUREL CELLS MAX.GLASS THICKNESS	37mm
ISI BARIYERLERİ / THERMAL INSULATION BAR	14,8mm

KULLANIM SEÇENEKLERİ / APPLICATION ALTERNATIVES

KASETLİ CEPHE / STRUCTURAL GLAZING	*
İÇE AÇILIR ÇİFT EKSEN GİZLİ KANAT / INWARD OPENING TILT&TURN HIDDEN VENT	*

HAVA GEÇİRGENLİĞİ - EN 12152 (AIR PERMEABILITY)	1 (150 Pa)	2 (300 Pa)	3 (450 Pa)	4 (600 Pa)		
SU SIZDIRMAZLIĞI - EN 12154 (WATERTIGHTNESS)	R4 (150 Pa)	R5 (300 Pa)	R6 (150 Pa)	R7 (600 Pa)	RE... (600+ Pa)	RE900 (900 Pa)
RÜZGAR YÜKÜNE DAYANIM - EN 13830 (RESISTANCE TO WIND LOAD)	± 1320 Pa					

MİMARİ KATALOG
ARCHITECTURAL CATALOGUE

Alüminyum Kapı Pencere ve Giydirme Cephe Sistemleri
Aluminium Window Doors and Facade Systems

R50TT



Rescara Sistem Detayları
Rescara System Details

R50TT

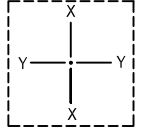
PROFİLLER

PROFILES

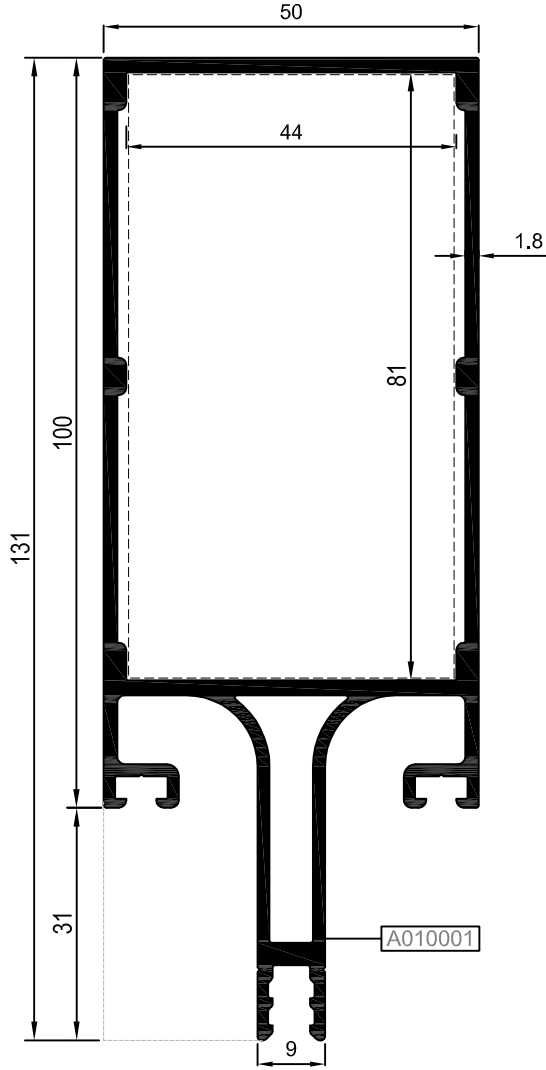
DÜŞEY PROFİLLER
MULLION PROFILES

R50TT

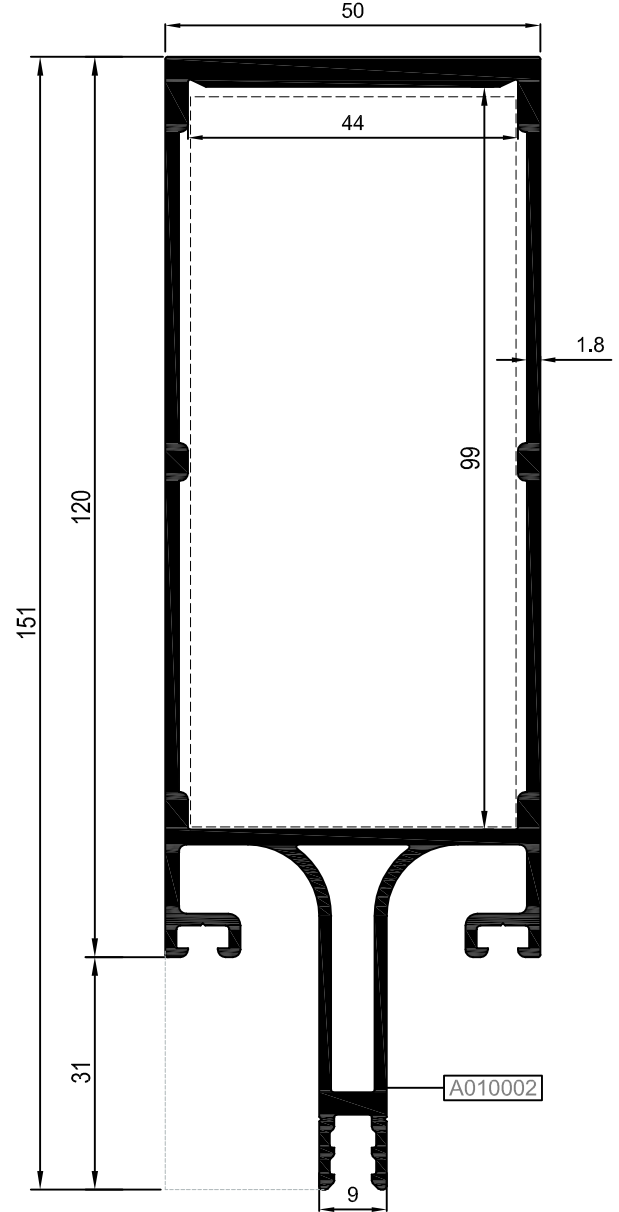
KOD / CODE	AĞIRLIK (kg/m) / WEIGHT	Jxx cm4	Jyy cm4	Wx cm3	Wy cm3	L m
R50 M 02	2,159	124,204	27,739	18,301	11,095	6
R50 M 03	2,608	229,394	33,599	27,547	13,439	6



R50 M 02



R50 M 03

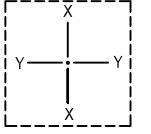


Nr	DÜŞEY BAĞLANTI PROFİLİ / MULLION CONNECTION PROFILE			KESİM ÖLÇÜSÜ CUTTING SIZE	DÜŞEY BAĞLANTI KAPAĞI MULLION CONNECTION CAP
	PROFİL KODU / PROFILE CODE	AKSESUAR KODU / ACCESSORY CODE			
R50 M 02	A010001	R50 C 22	06.02.02	74,5 mm	04.10.38
R50 M 03	A010002	R50 C 22	06.02.03	92,5 mm	04.10.38

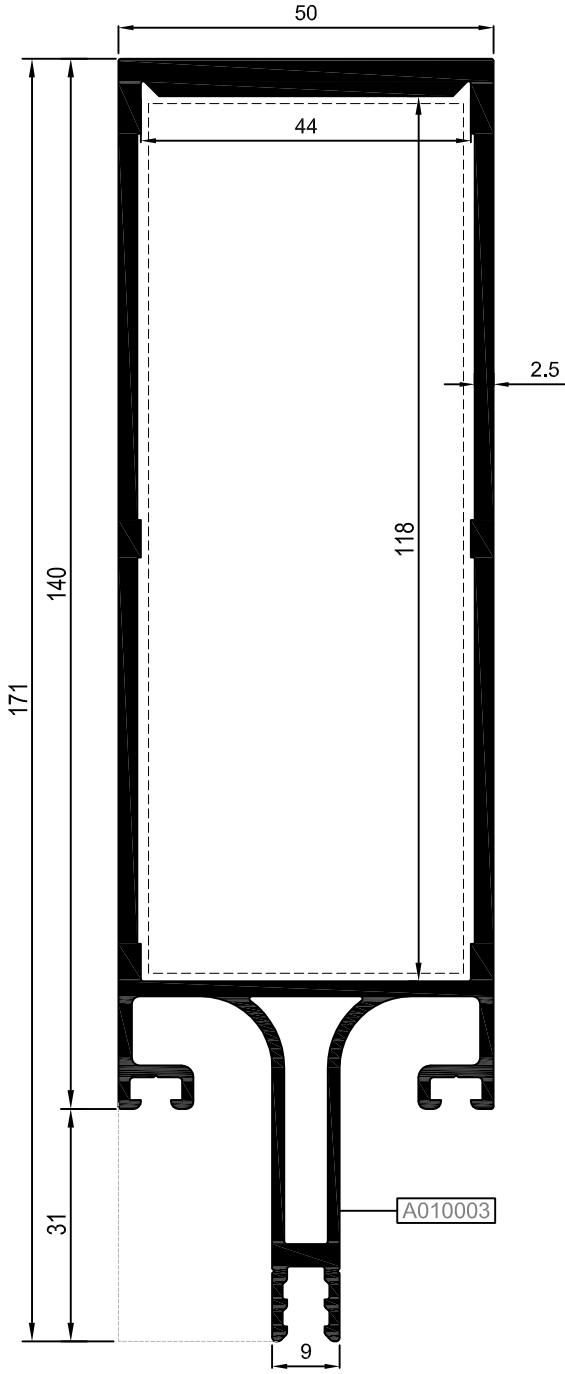
DÜŞEY PROFİLLER
MULLION PROFILES

R50TT

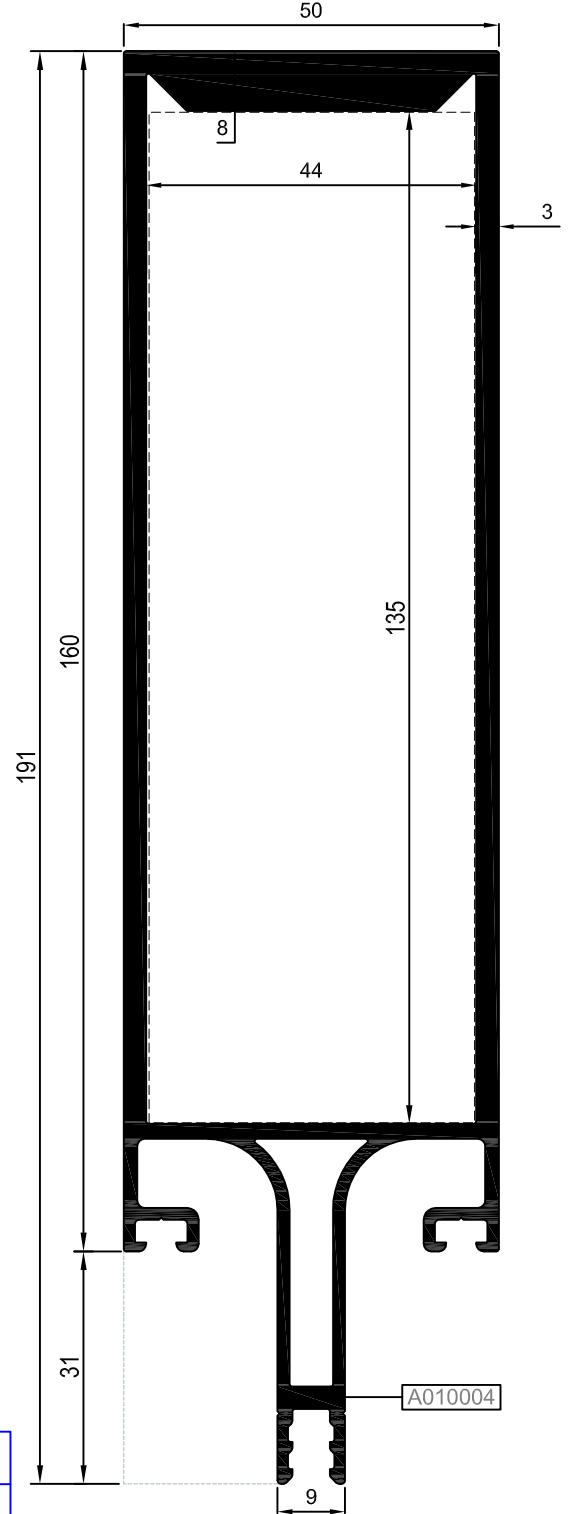
KOD / CODE	AĞIRLIK (kg/m) / WEIGHT	Jxx cm4	Jyy cm4	Wx cm3	Wy cm3	L m
R50 M 04	3,318	362,158	45,975	37,408	18,390	6
R50 M 05	4,208	572,600	58,900	50,722	23,560	6



R50 M 04



R50 M 05

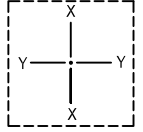


Nr	DÜŞEY BAĞLANTI PROFİLİ / MULLION CONNECTION PROFILE			KESİM ÖLÇÜSÜ CUTTING SIZE	DÜŞEY BAĞLANTI KAPAĞI MULLION CONNECTION CAP
	PROFİL KODU / PROFILE CODE	AKSESUAR KODU / ACCESSORY CODE			
R50 M 04	A010003	R50 C 22	06.02.04	111,5 mm	04.10.38
R50 M 05	A010004	R50 C 22	06.02.05	128,5 mm	04.10.38

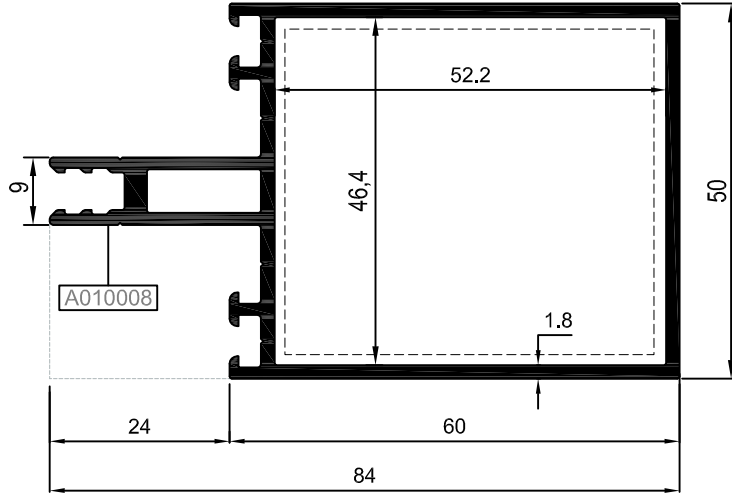
YATAY PROFİLLER
TRANSOM PROFILES

R50TT

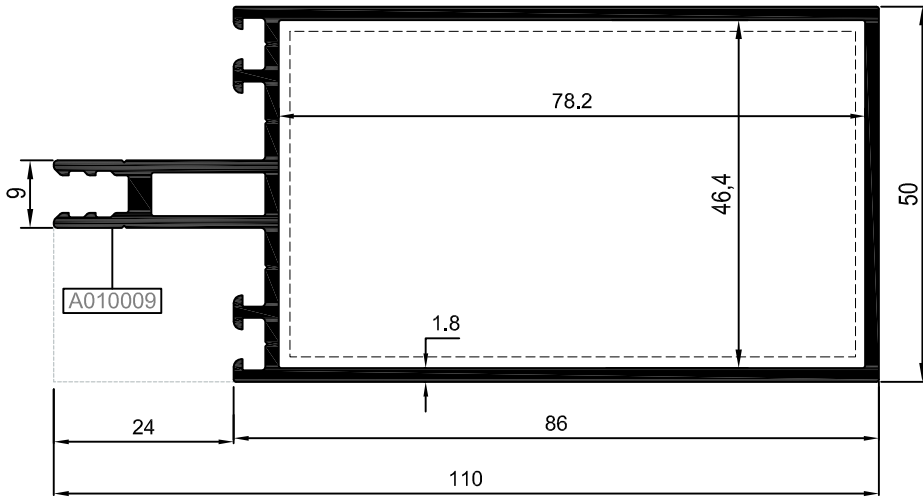
KOD / CODE	AĞIRLIK (kg/m) / WEIGHT	Jxx cm ⁴	Jyy cm ⁴	Wx cm ³	Wy cm ³	L m
R50 T 03	1,384	34,565	16,180	7,683	6,472	6
R50 T 04	1,640	74,423	21,619	13,145	8,648	6



R50 T 03



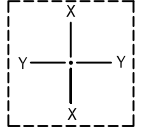
R50 T 04



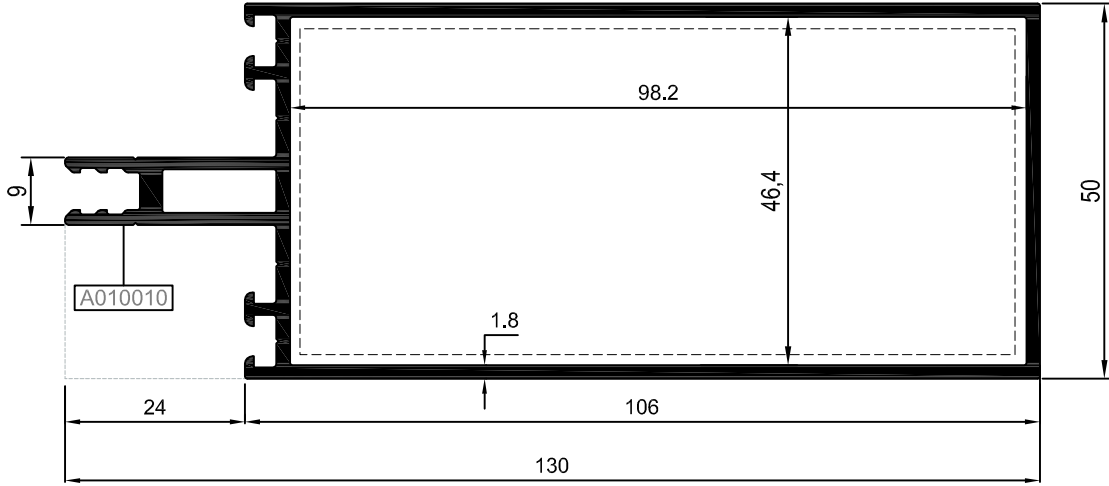
Nr	DÜŞEY BAĞLANTI PROFİLİ / MULLION CONNECTION PROFILE				KESİM ÖLÇÜSÜ CUTTING SIZE
	PROFİL KODU / PROFILE CODE	AKSESUAR KODU / ACCESSORY CODE			
R50 T 03	A010008	R50 C 06	05.02.03		51,9 mm
R50 T 04	A010009	R50 C 06	05.02.04		77,8 mm

Nr	DÜŞEY BAĞLANTI PROFİLİ / MULLION CONNECTION PROFILE				KESİM ÖLÇÜSÜ CUTTING SIZE
	PROFİL KODU / PROFILE CODE	AKSESUAR KODU / ACCESSORY CODE			
R50 T 03	A010008	R50 C 12	05.03.03		50,9 mm
		R50 C 11	05.03.13		51,9 mm
		TPV	04.23.T03		55,0 mm
R50 T 04	A010009	R50 C 12	05.03.04		76,9 mm
		R50 C 11	05.03.14		77,8 mm
		TPV	04.23.T04		81,0 mm

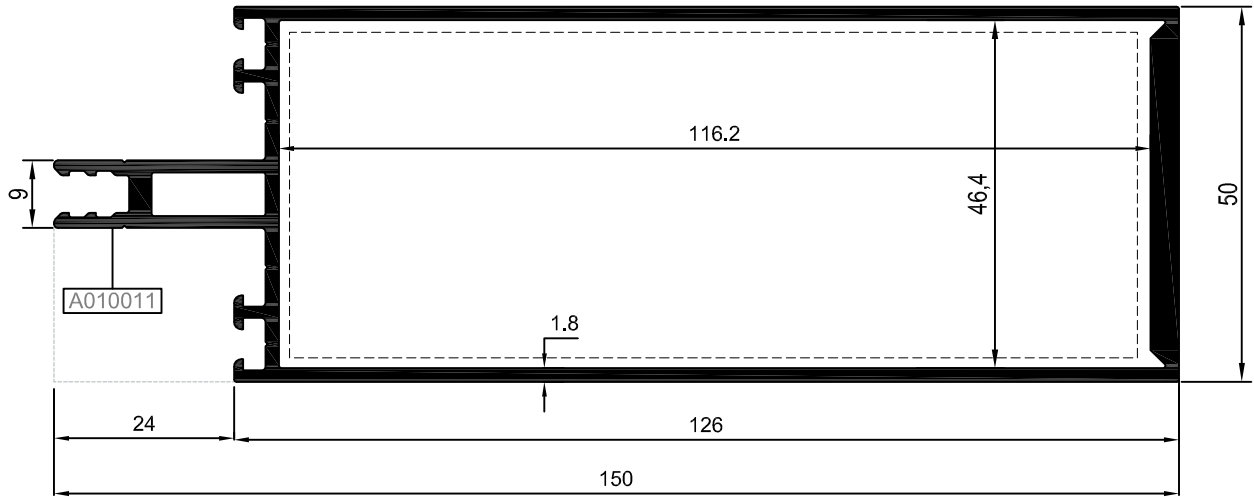
KOD / CODE	AĞIRLIK (kg/m) / WEIGHT	Jxx cm ⁴	Jyy cm ⁴	Wx cm ³	Wy cm ³	L m
R50 T 05	1,834	118,723	25,803	18,037	10,321	6
R50 T 06	2,266	216,994	31,366	26,244	12,547	6



R50 T 05



R50 T 06



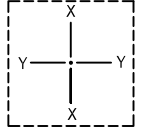
Nr	DÜŞEY BAĞLANTI PROFİLİ / MULLION CONNECTION PROFILE				KESİM ÖLÇÜSÜ CUTTING SIZE
	PROFİL KODU / PROFILE CODE	AKSESUAR KODU / ACCESSORY CODE	AKSESUAR KODU / ACCESSORY CODE	AKSESUAR KODU / ACCESSORY CODE	
R50 T 06	A010011	R50 C 06	05.02.06		115,8 mm
R50 T 05	A010010	R50 C 06	05.02.05		97,8 mm

Nr	DÜŞEY BAĞLANTI PROFİLİ / MULLION CONNECTION PROFILE				KESİM ÖLÇÜSÜ CUTTING SIZE
	PROFİL KODU / PROFILE CODE	AKSESUAR KODU / ACCESSORY CODE	AKSESUAR KODU / ACCESSORY CODE	AKSESUAR KODU / ACCESSORY CODE	
R50 T 06	A010011	R50 C 12	05.03.06		116,9 mm
		R50 C 11	05.03.16		115,8 mm
		TPV	04.23.T06		120,0 mm
R50 T 05	A010010	R50 C 12	05.03.05		96,9 mm
		R50 C 11	05.03.15		97,8 mm
		TPV	04.23.T05		101,0 mm

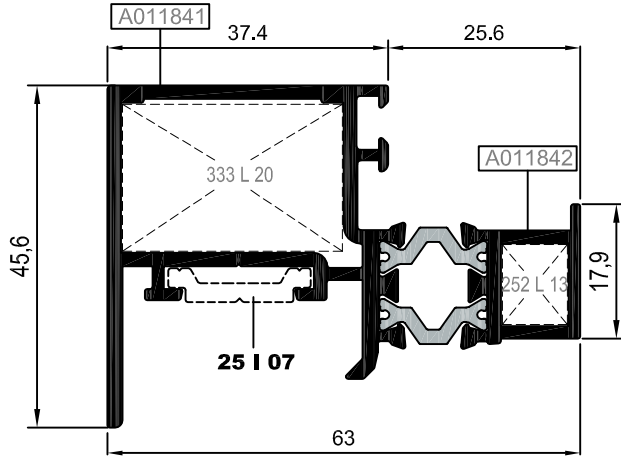
SİLİKON CEPHE ÇİFT AÇILIM PROFİLLERİ
TILT&TURN OPENING HIDDEN VENT PROFILES

R50TT

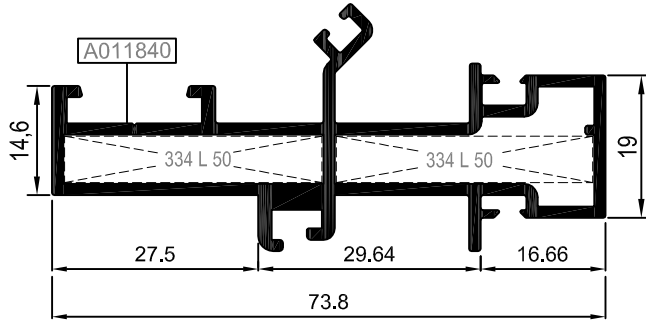
KOD / CODE	AĞIRLIK (kg/m) / WEIGHT	Jxx cm ⁴	Jyy cm ⁴	Wx cm ³	Wy cm ³	L m
R50 V 36	1,419	13,384	6,096			6
R50 H 18	1,089	18,471	1,921			6
25 I 07	0,143	--	--			6



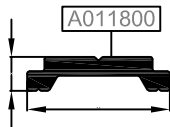
AR50V36




R50 H 18



25 I 07

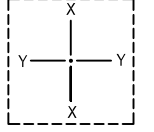


Nr	 L m	KESİM ÖLÇÜSÜ CUTTING SIZE	AKS. KODU ACS. CODE
AR50V36	A011841 25 L 20 (A002166)	29,4 mm	333 L 20
	A011842 25 L 13 (A002058)	8,7 mm	252 L 13
R50 H 18	A011840 25 L 50 (A010848)	34,3 mm	334 L 50
	A011840 25 L 50 (A010848)	34,3 mm	334 L 50

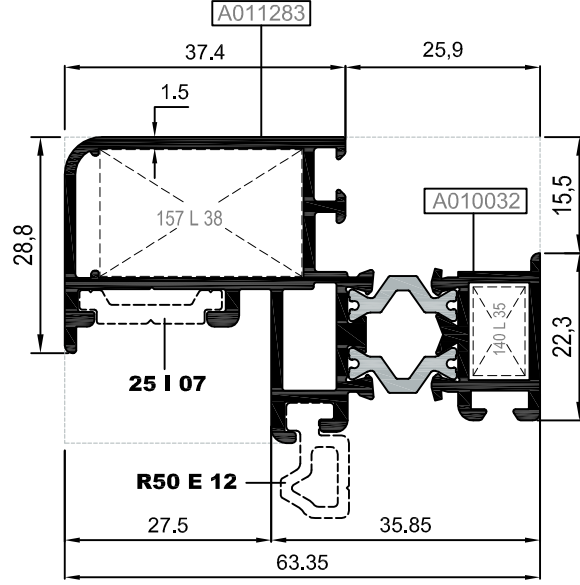
KASET PROFİLLERİ
VENT PROFILES

R50TT


KOD / CODE	AĞIRLIK (kg/m) / WEIGHT	Jxx cm4	Jyy cm4	Wx cm3	Wy cm3	L m
AR50V27	1,223	10,872	5,245			6



AR50V27*



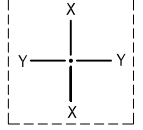
*AR50V27 KODLU PROFİLLER BONDING İŞLEMİNE UYGUN ÖZEL ELOKSALLI SİPARİŞ EDİLMELİDİR.
THE PROFILES AR50V27 MUST BE ORDERED WITH SPECIAL ANODIZED SUITABLE FOR BONDING PROCESS.

Nr	 L m	KESİM ÖLÇÜSÜ CUTTING SIZE	AKS. KODU ACS. CODE
AR50V27	A011283 25 L 38 (A002074)	27,0 mm	157 L 38
	A010032 25 L 35 (A010076)	7,8 mm	140 L 35

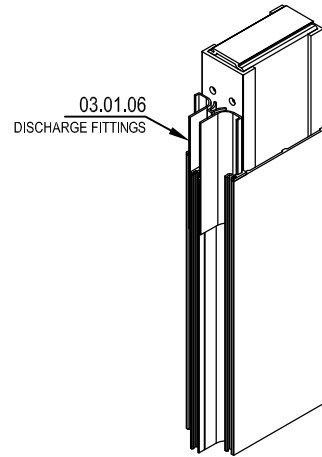
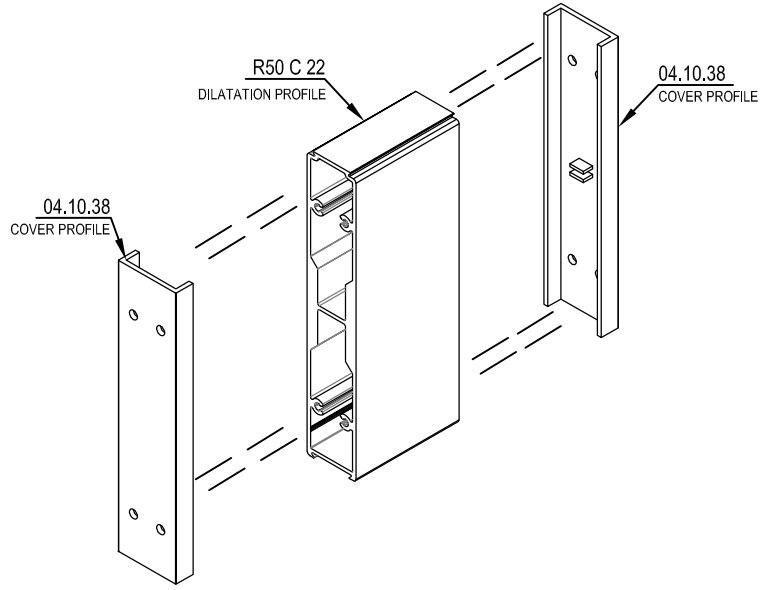
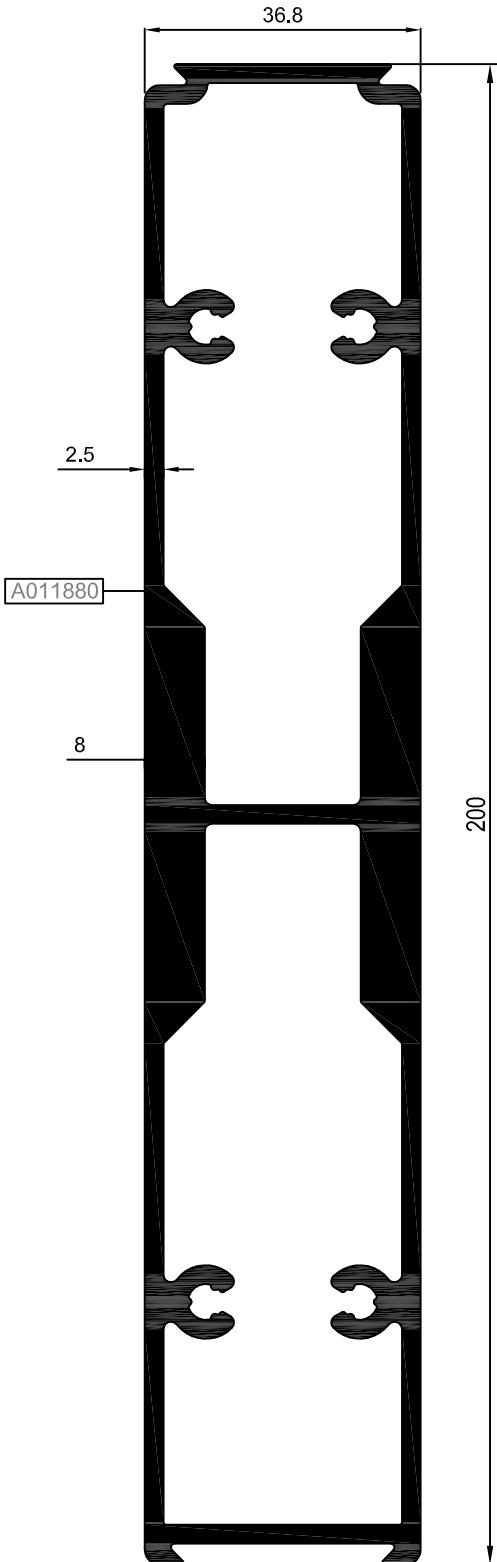
DÜŞEY BAĞLANTI PROFİLLERİ
MULLION CONNECTION PROFILES

R50TT

KOD / CODE	AĞIRLIK (kg/m) / WEIGHT	L m
R50 C 22	5,550	6



R50 C 22

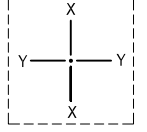


*04.10.38 VE 03.01.06 KODLU AKSESUARLAR İLE BİRLİKTE KULLANILACAKTIR.
IT WILL BE USED WITH 04.10.38 & 03.01.06 ACCESSORIES.

YATAY BAĞLANTI PROFİLLERİ
TRANSOM CONNECTION PROFILES

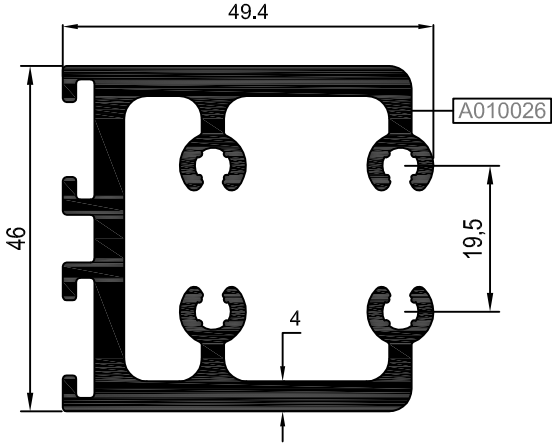
R50TT

KOD / CODE	AĞIRLIK (kg/m) / WEIGHT	L m
R50 C 06	2,033	6
R50 C 24	1,363	6
R50 C 11	1,813	6
R50 C 12	0,548	6

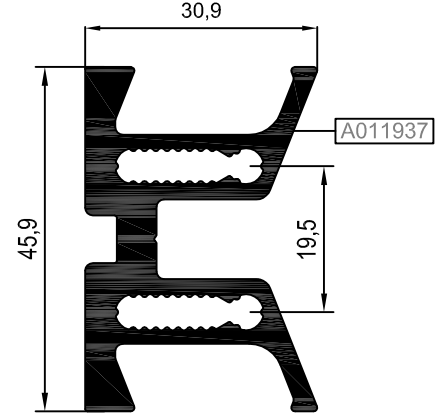


U BAĞLANTILAR / U CONNECTIONS

R50 C 06

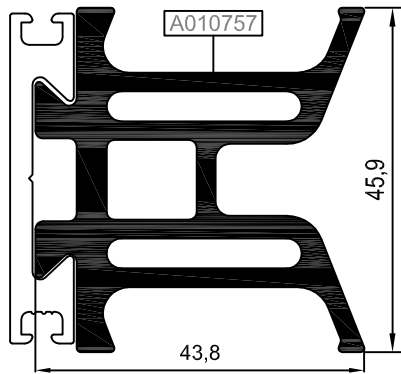


R50 C 24

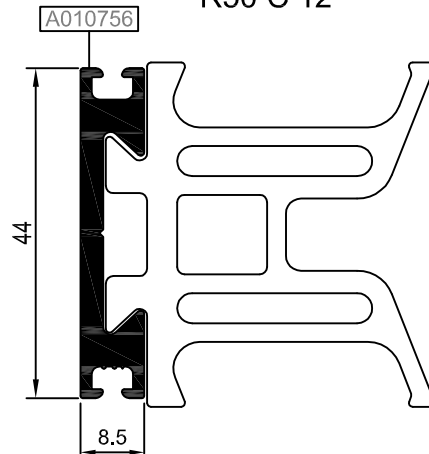


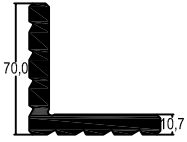
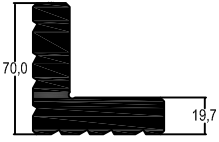
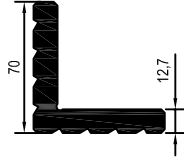





KIRLANGIÇ (T) BAĞLANTILAR / T CONNECTIONS

R50 C 11



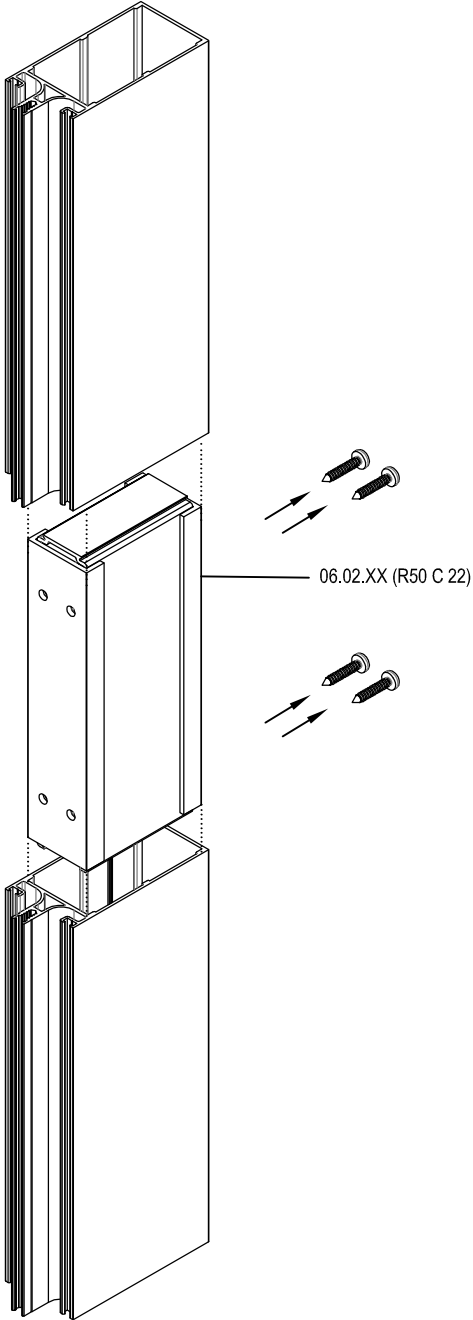
R50 C 12



PROFİL KODU (PROFILE CODE)	25 L 13	25 L 20	25 L 35	25 L 38
FABRİKA KODU (FACTORY CODE)	A002058	A002166	A010076	A002074
AĞIRLIK (WEIGHT)	3,561 kg/m	5,620 kg/m	4,192 kg/m	4,854 kg/m
ÇİZİM (DRAWING)				
PROFİL KODU (PROFILE CODE)	25 L 50			
FABRİKA KODU (FACTORY CODE)	A010838			
AĞIRLIK (WEIGHT)	1,748 kg/m			
ÇİZİM (DRAWING)				
Nr	 L m	 KESİM ÖLÇÜSÜ CUTTING SIZE	 AKS. KODU ACS. CODE	
AR50V36	A011841	25 L 20 (A002166)	29,4 mm	333 L 20
	A011842	25 L 13 (A002058)	8,7 mm	252 L 13
R50 H 18	A011840	25 L 50 (A010848)	34,3 mm	334 L 50
	A011840	25 L 50 (A010848)	34,3 mm	334 L 50
AR50V27	A011283	25 L 38 (A002074)	27,0 mm	157 L 38
	A010032	25 L 35 (A010076)	7,8 mm	140 L 35

DÜŞEY BAĞLANTILAR
MULLION CONNECTION PIECES

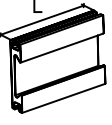
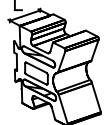
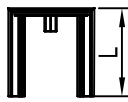
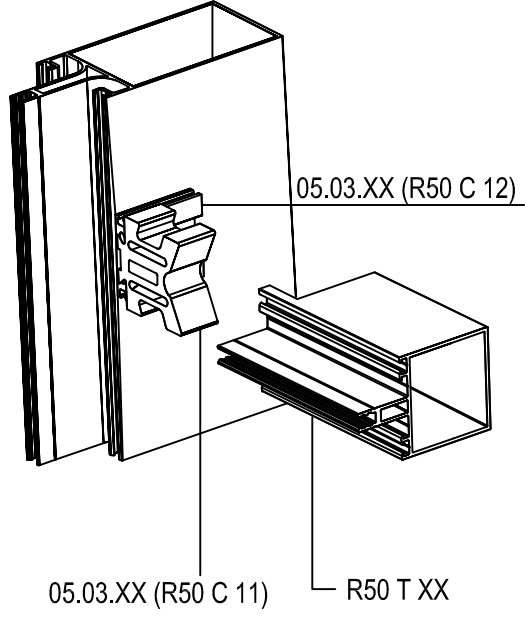
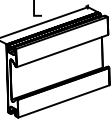


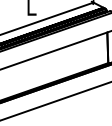

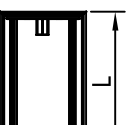
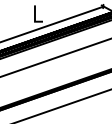
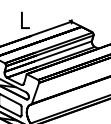

R50TT

ÇİZİM DRAWING	AKSESUAR KODU ACCESSORY CODE	PROFİL PROFILE	KESİM ÖLÇÜSÜ CUTTING SIZE
	06.02.01	R50 M 01	L=54,5 mm
	06.02.02	R50 M 02	L=74,5 mm
	06.02.03	R50 M 03	L=92,5 mm
	06.02.04	R50 M 04	L=111,5 mm
	06.02.05	R50 M 05	L=128,5 mm

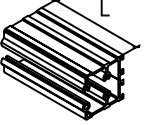
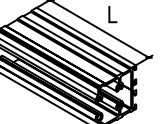
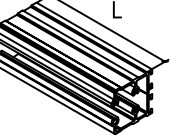
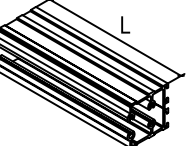
YATAY KAYIT BAĞLANTILARI
TRANSOM CONNECTION PIECES

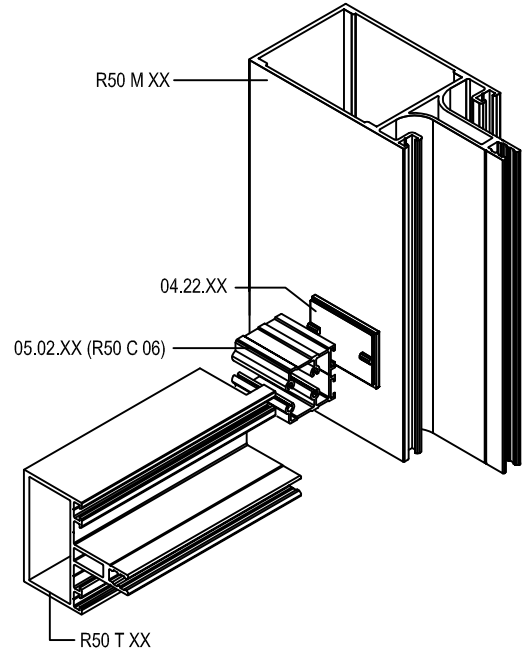
R50TT

KIRLANGIÇ (T) BAĞLANTILAR / T CONNECTIONS

ÇİZİM/DRAWING	ÇİZİM/DRAWING	ÇİZİM/DRAWING	RENK/COLOUR		UYGULAMA /APPLICATION
<p>05.03.03</p>  <p>KESİM ÖLÇÜSÜ CUTTING SIZE L=50,9 mm</p>	<p>05.03.13</p>  <p>KESİM ÖLÇÜSÜ CUTTING SIZE L=51,9 mm</p>	<p>04.23.T03</p>  <p>KESİM ÖLÇÜSÜ CUTTING SIZE L= 55 mm</p>	PRES	R50 T 03	
<p>05.03.04</p>  <p>KESİM ÖLÇÜSÜ CUTTING SIZE L=76,9 mm</p>	<p>05.03.14</p>  <p>KESİM ÖLÇÜSÜ CUTTING SIZE L=77,8 mm</p>	<p>04.23.T04</p>  <p>KESİM ÖLÇÜSÜ CUTTING SIZE L= 81 mm</p>	PRES	R50 T 04	
<p>05.03.05</p>  <p>KESİM ÖLÇÜSÜ CUTTING SIZE L=96,9 mm</p>	<p>05.03.15</p>  <p>KESİM ÖLÇÜSÜ CUTTING SIZE L=97,8 mm</p>	<p>04.23.T05</p>  <p>KESİM ÖLÇÜSÜ CUTTING SIZE L=101 mm</p>	PRES	R50 T 05	
<p>05.03.06</p>  <p>KESİM ÖLÇÜSÜ CUTTING SIZE L=116,9 mm</p>	<p>05.03.16</p>  <p>KESİM ÖLÇÜSÜ CUTTING SIZE L=115,8 mm</p>	<p>04.23.T06</p>  <p>KESİM ÖLÇÜSÜ CUTTING SIZE L= 120 mm</p>	PRES	R50 T 06	

U BAĞLANTILAR / U CONNECTIONS

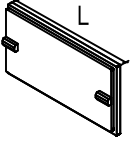
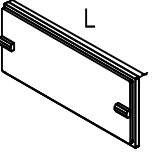
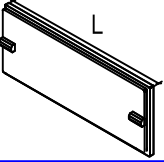
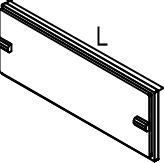
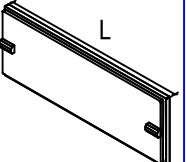
ÇİZİM DRAWING	AKSESUAR KODU ACCESSORY CODE	PROFİL PROFILE	KESİM ÖLÇÜSÜ CUTTING SIZE
	05.02.03	R50 T 03	L=51,9 mm
	05.02.04	R50 T 04	L=77,8 mm
	05.02.05	R50 T 05	L=97,8 mm
	05.02.06	R50 T 06	L=115,8 mm

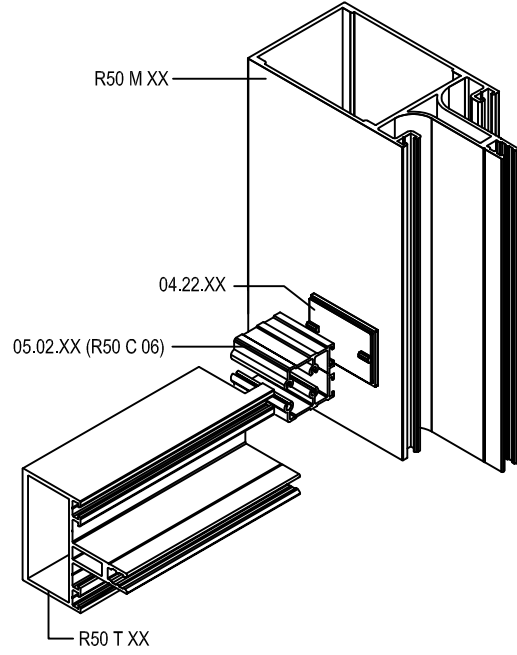


YATAY KAYIT BAĞLANTI CONTALARI
TRANSOM CONNECTION PLUGS

R50TT

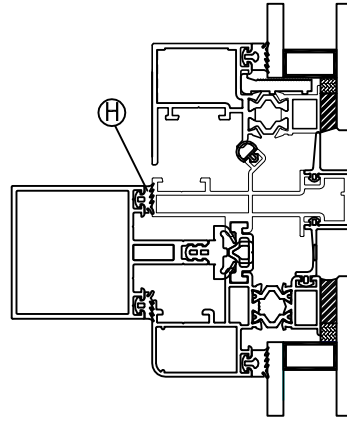
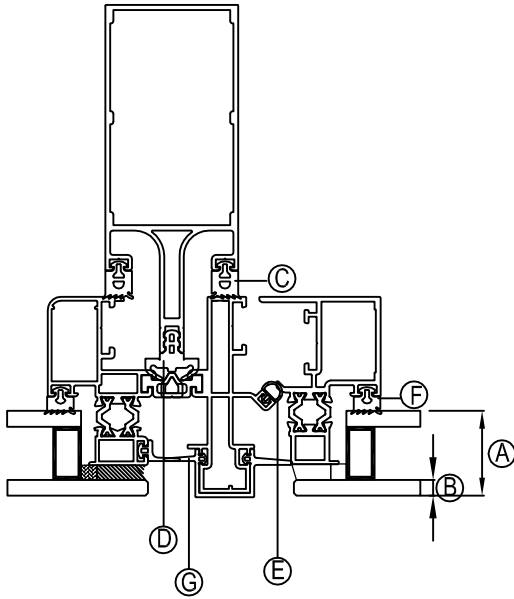
U BAĞLANTI CONTALARI / U CONNECTION PLUGS (EPDM)

ÇİZİM DRAWING	AKSESUAR KODU ACCESSORY CODE	PROFİL PROFILE	KESİM ÖLÇÜSÜ CUTTING SIZE	MALZEME MATERIAL
	04.22.02	R50 T 02	L=44 mm	TPV
	04.22.03	R50 T 03	L=54 mm	TPV
	04.22.04	R50 T 04	L=80 mm	TPV
	04.22.05	R50 T 05	L=100 mm	TPV
	04.22.06	R50 T 06	L=120 mm	TPV



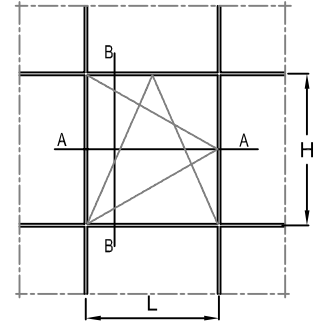
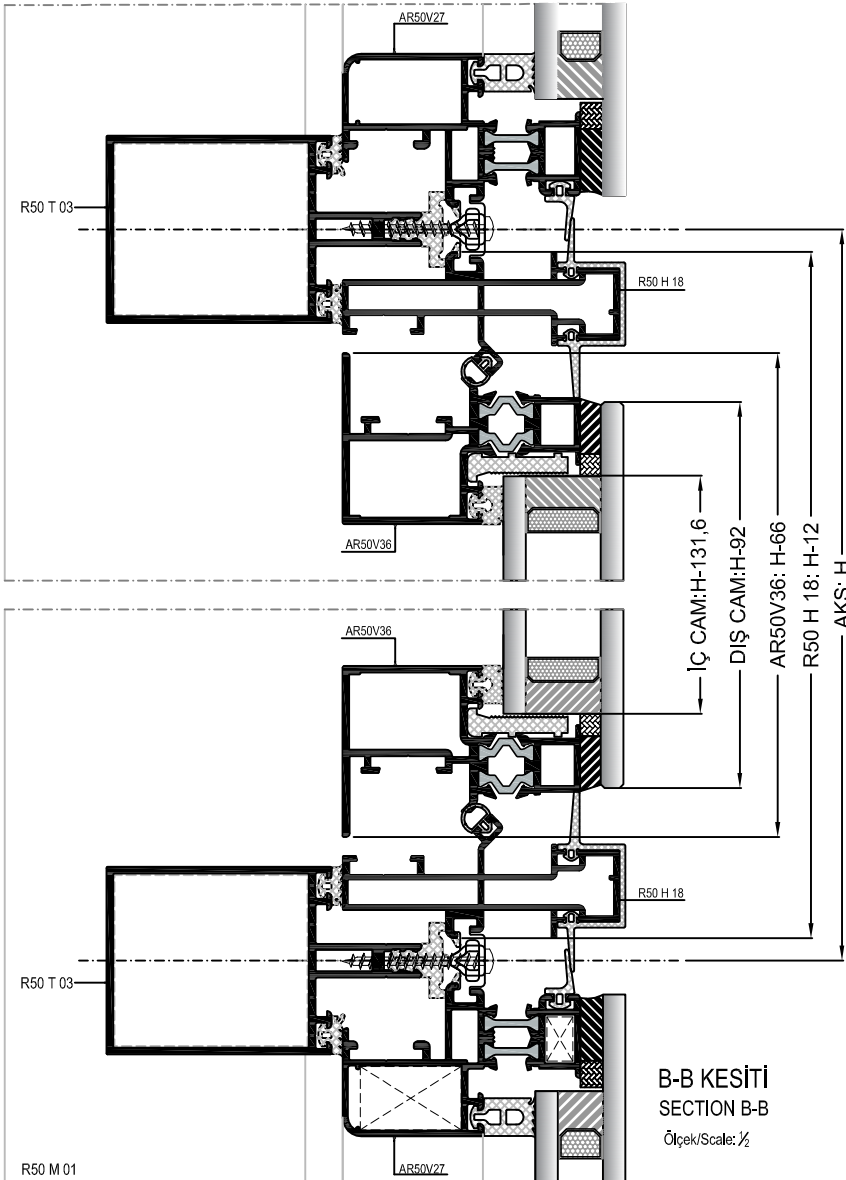
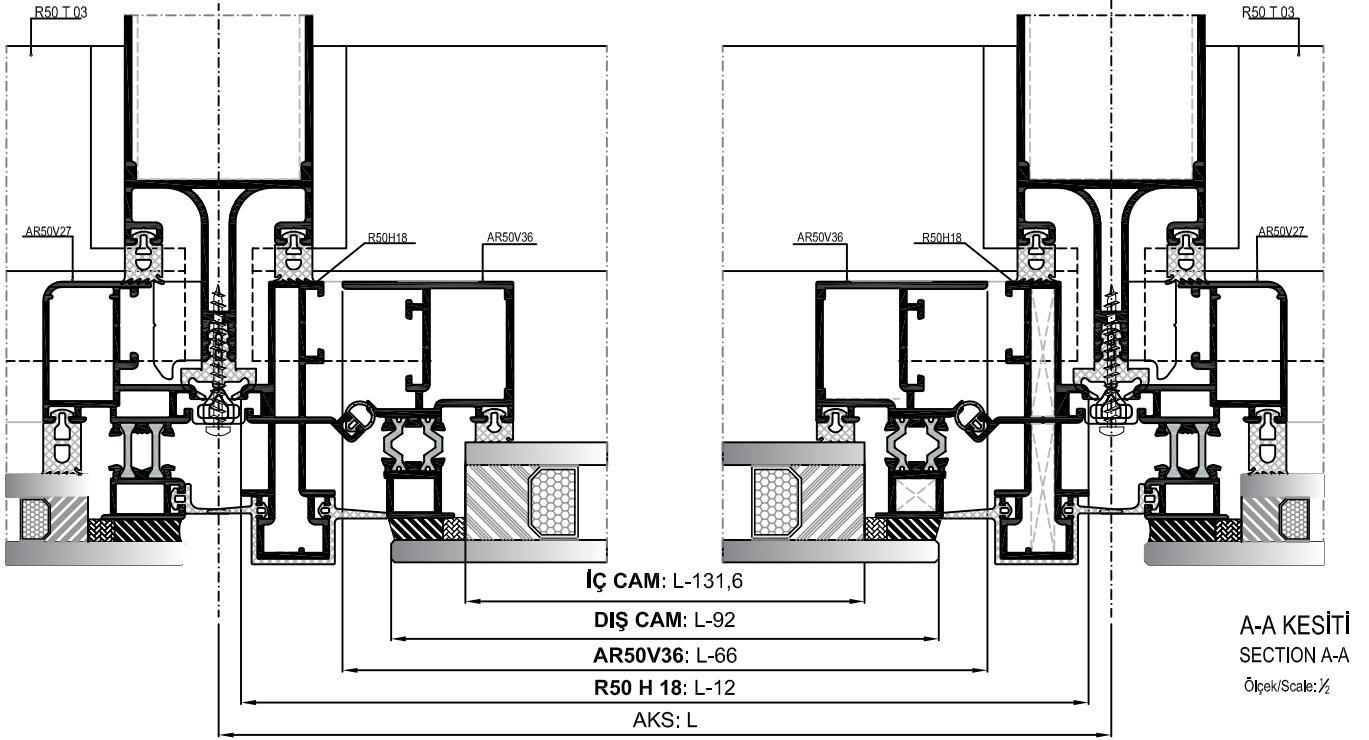
AR50V36 İÇİN / FOR AR50V36

A	B	C	D	E	F	G	H
CAM GLASS	DIŞ CAM KALINLIĞI OUTER GLASS THICKNESS	CAM FİTİLİ GLASS GASKET	ORTA FİTİL CENTRAL GASKET	BİNE FİTİLİ CENTRAL GASKET	İÇ CAM FİTİLİ INNER GLASS GASKET	TIRNAK FİTİLİ GASKET	CAM FİTİLİ GLASS GASKET
24 mm	6 mm	01.02.27	01.07.01	01.12.22	01.02.23	01.08.20	01.03.27
25 mm	6 mm	01.02.27	01.07.01	01.12.22.	01.02.24	01.08.20	01.03.27
26 mm	6 mm	01.02.27	01.07.01	01.12.22.	01.02.25	01.08.20	01.03.27
27 mm	6 mm	01.02.27	01.07.01	01.12.22.	01.02.26	01.08.20	01.03.27
28 mm	6 mm	01.02.27	01.07.01	01.12.22.	01.02.27	01.08.20	01.03.27
29 mm	6 mm	01.02.27	01.07.01	01.12.22.	01.03.21	01.08.20	01.03.27
30 mm	6 mm	01.02.27	01.07.01	01.12.22.	01.03.22	01.08.20	01.03.27
31 mm	6 mm	01.02.27	01.07.01	01.12.22.	01.03.23	01.08.20	01.03.27
32 mm	6 mm	01.02.27	01.07.01	01.12.22.	01.03.24	01.08.20	01.03.27



SİLİKON CEPHE İÇE AÇILIM GİZLİ KANAT KESİM ÖLÇÜLERİ
CUTTING SIZES FOR SG SYSTEM INSIDE OPENING HIDDEN VENT

R50TT



PROFİL KODU PROFILE NUMBER	KESİM ŞEKLİ CUTTING SHAPE	PROFİL PROFILE	KESİM ÖLÇÜSÜ CUTTING DIMENSION (mm)
R50 H 18			L-12
			H-12
AR50V36			L-66
			H-66
AR50V27			L-12
			H-12

R50V36 İçin / FOR R50V36

CAM GLASS	ŞEKLİ SHAPE	KESİM ÖLÇÜSÜ CUTTING DIMENSION (mm)
DIŞ CAM		L-92
		H-92
İÇ CAM		L-131,6
		H-131,6

MİMARİ KATALOG
ARCHITECTURAL CATALOGUE

Alüminyum Kapı Pencere ve Giydirme Cephe Sistemleri
Aluminium Window Doors and Facade Systems

R50TT



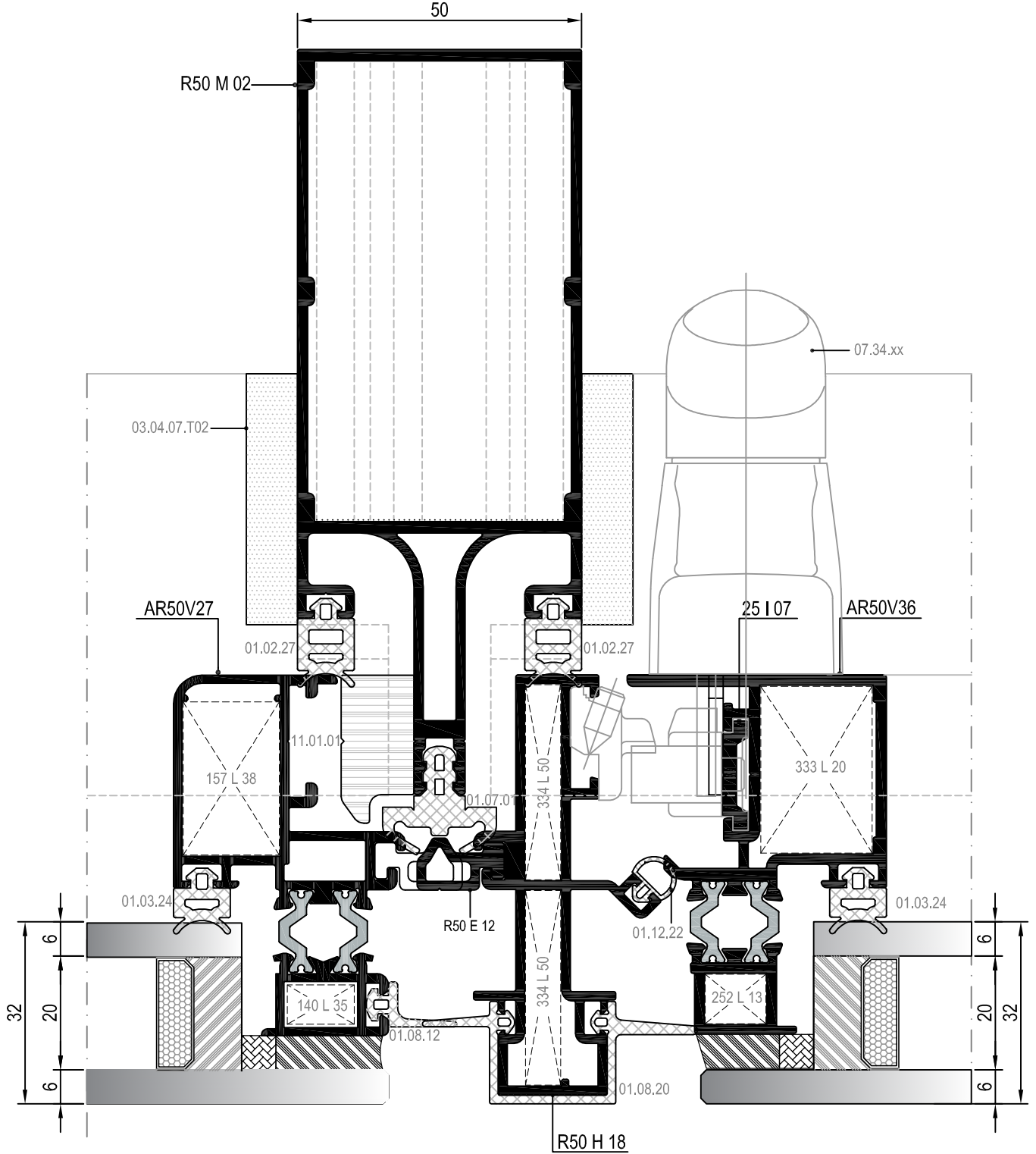
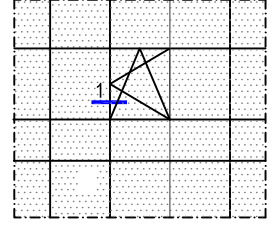
Rescara Sistem Detayları
Rescara System Details

R50TT

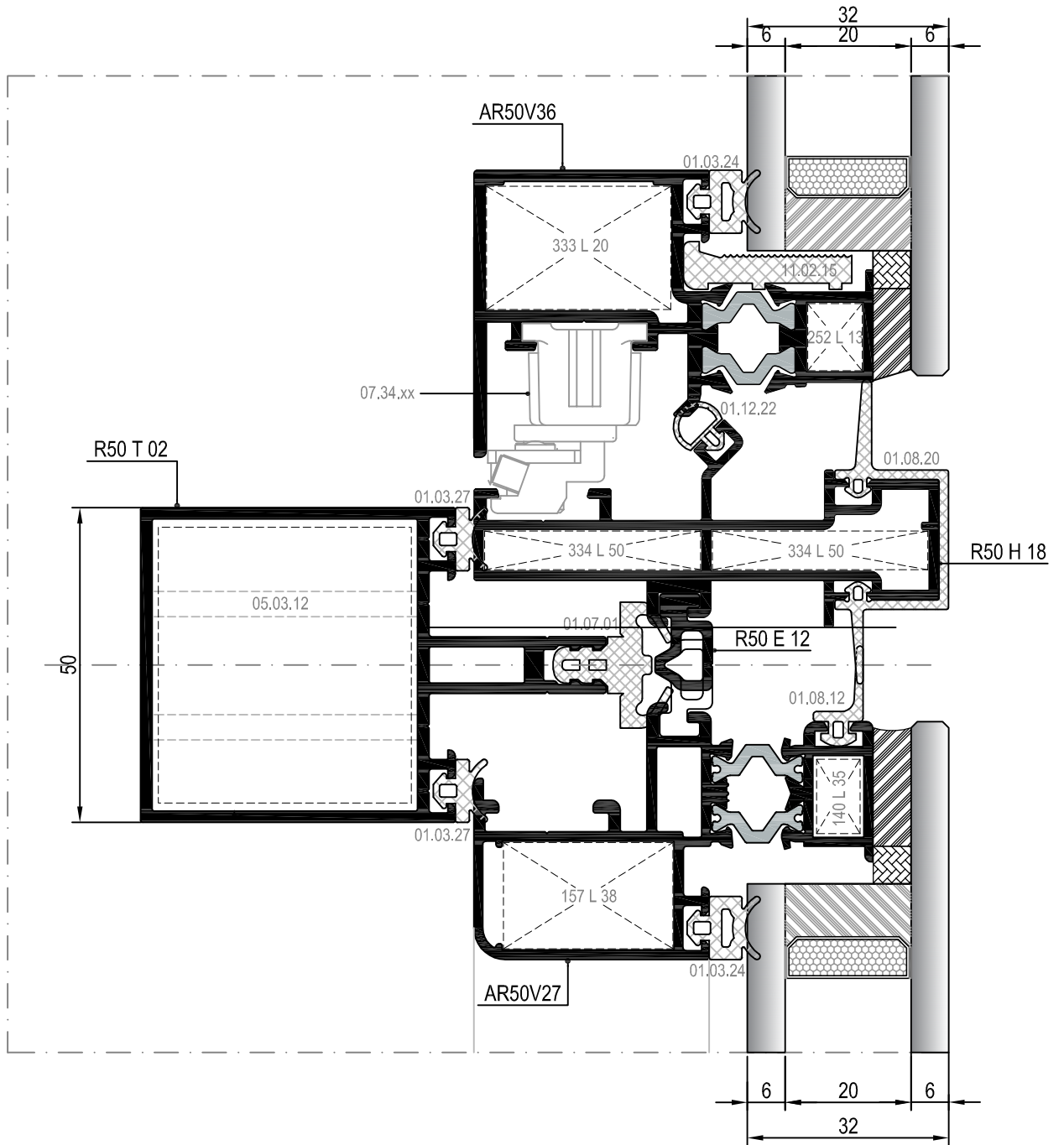
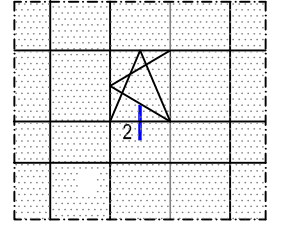
DETAYLAR

DETAILS

SİLİKON CEPHE ÇİFT AÇILIM DETAYI
TILT&TURN OPENNING HIDDEN VENT DETAIL



SİLİKON CEPHE ÇİFT AÇILIM DETAYI
TILT&TURN OPENNING HIDDEN VENT DETAIL



MİMARİ KATALOG
ARCHITECTURAL CATALOGUE

Alüminyum Kapı Pencere ve Giydirme Cephe Sistemleri
Aluminium Window Doors and Facade Systems

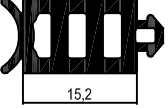
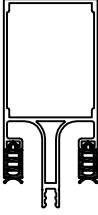


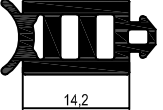
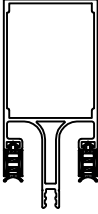


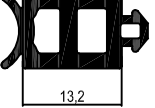
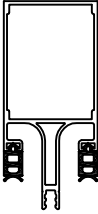


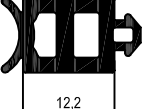
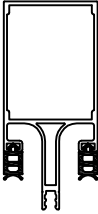


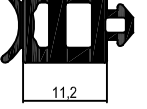
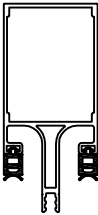


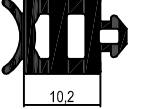
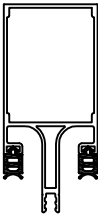


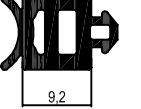
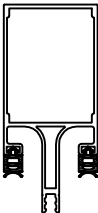


R50TT

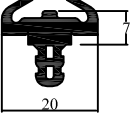
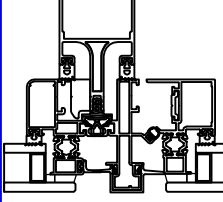

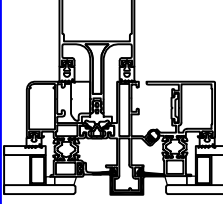

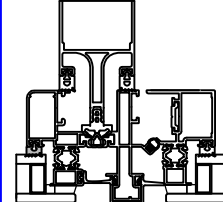
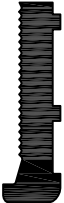
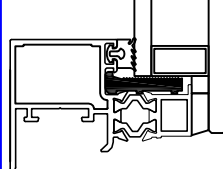
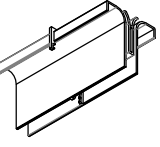
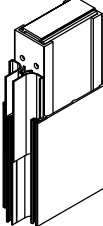


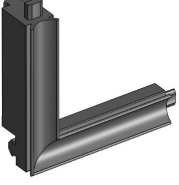
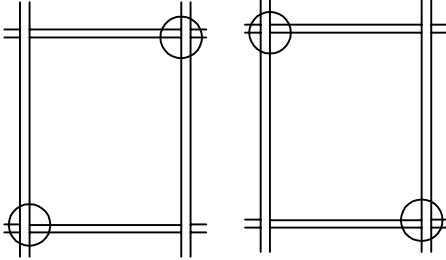
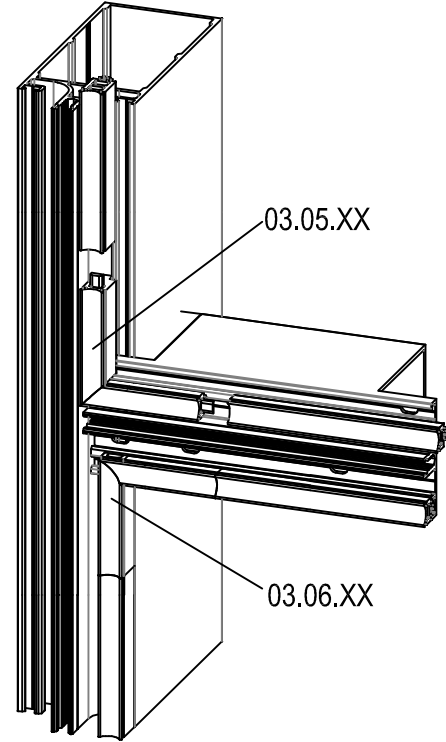
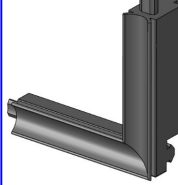
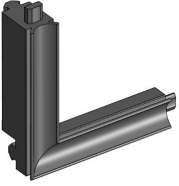
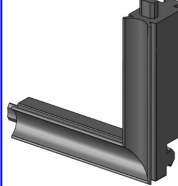
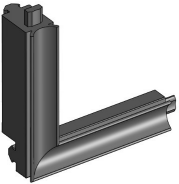
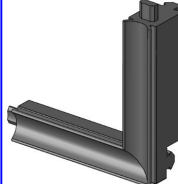
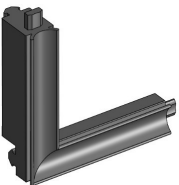
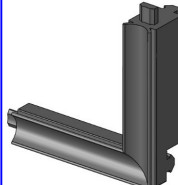
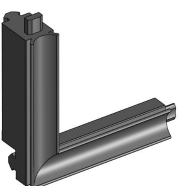
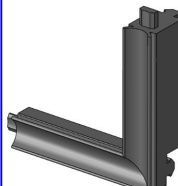
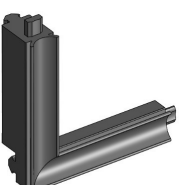
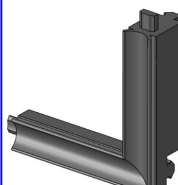
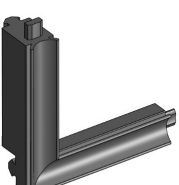
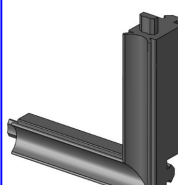
Rescara Sistem Detayları
Rescara System Details

R50TT

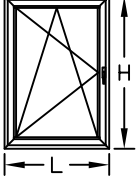

AKSESUARLAR
ACCESSORIES

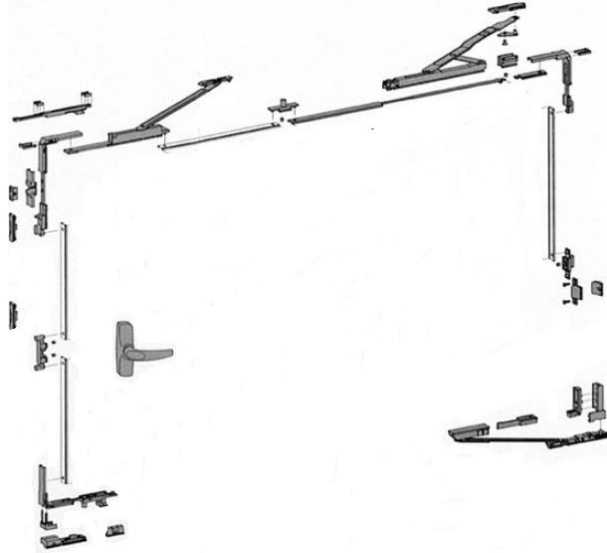
	<p>01.02.21</p> <p>CAM FİTİLİ GLAZING GASKET</p> <p>Malzeme / Material : EPDM Ağırlık / Weight : 174 gr/m Paket / Package: 86 m / 15 kg</p>			<p>01.03.21</p> <p>CAM FİTİLİ GLAZING GASKET</p> <p>Malzeme / Material : EPDM Ağırlık / Weight : 110 gr/m Paket / Package: 136 m / 15 kg</p>	
	<p>01.02.22</p> <p>CAM FİTİLİ GLAZING GASKET</p> <p>Malzeme / Material : EPDM Ağırlık / Weight : 166 gr/m Paket / Package: 90 m / 15 kg</p>			<p>01.03.22</p> <p>CAM FİTİLİ GLAZING GASKET</p> <p>Malzeme / Material : EPDM Ağırlık / Weight : 90 gr/m Paket / Package: 166 m / 15 kg</p>	
	<p>01.02.23</p> <p>CAM FİTİLİ GLAZING GASKET</p> <p>Malzeme / Material : EPDM Ağırlık / Weight : 145 gr/m Paket / Package: 103 m / 15 kg</p>			<p>01.03.23</p> <p>CAM FİTİLİ GLAZING GASKET</p> <p>Malzeme / Material : EPDM Ağırlık / Weight : 85 gr/m Paket / Package: 176 m / 15 kg</p>	
	<p>01.02.24</p> <p>CAM FİTİLİ GLAZING GASKET</p> <p>Malzeme / Material : EPDM Ağırlık / Weight : 140 gr/m Paket / Package: 107 m / 15 kg</p>			<p>01.03.24</p> <p>CAM FİTİLİ GLAZING GASKET</p> <p>Malzeme / Material : EPDM Ağırlık / Weight : 81 gr/m Paket / Package: 185 m / 15 kg</p>	
	<p>01.02.25</p> <p>CAM FİTİLİ GLAZING GASKET</p> <p>Malzeme / Material : EPDM Ağırlık / Weight : 135 gr/m Paket / Package: 111 m / 15 kg</p>			<p>01.03.25</p> <p>CAM FİTİLİ GLAZING GASKET</p> <p>Malzeme / Material : EPDM Ağırlık / Weight : 70 gr/m Paket / Package: 214 m / 15 kg</p>	
	<p>01.02.26</p> <p>CAM FİTİLİ GLAZING GASKET</p> <p>Malzeme / Material : EPDM Ağırlık / Weight : 126 gr/m Paket / Package: 119 m / 15 kg</p>			<p>01.03.26</p> <p>CAM FİTİLİ GLAZING GASKET</p> <p>Malzeme / Material : EPDM Ağırlık / Weight : 66 gr/m Paket / Package: 227 m / 15 kg</p>	
	<p>01.02.27</p> <p>CAM FİTİLİ GLAZING GASKET</p> <p>Malzeme / Material : EPDM Ağırlık / Weight : 116 gr/m Paket / Package: 129 m / 15 kg</p>			<p>01.03.27</p> <p>CAM FİTİLİ GLAZING GASKET</p> <p>Malzeme / Material : EPDM Ağırlık / Weight : 56 gr/m Paket / Package: 267 m / 15 kg</p>	

	<p>01.07.01</p> <p>ORTA BASKI FİTİLİ CENTRAL GASKET</p> <p>Malzeme / Material : EPDM Ağırlık / Weight : 189 gr/m Paket / Package: 78 m / 15 kg</p>				
	<p>01.08.20</p> <p>KASA FİTİLİ FRAME GASKET</p> <p>Malzeme / Material : EPDM Ağırlık / Weight : 192 gr/m Paket / Package: 78 m / 15 kg</p>				
	<p>01.12.22</p> <p>GİZLİ KANAT FİTİLİ FRAME GASKET</p> <p>Malzeme / Material : EPDM Ağırlık / Weight : ***gr/m Paket / Package: ** m / ** kg</p>				
	<p>11.02.15</p> <p>CAM TAKOZU GLASS SUPPORT</p> <p>Malzeme / Material : PVC</p>				
	<p>03.01.06</p> <p>TAHLİYE EK PARÇASI DISCHARGE FITTINGS</p> <p>Malzeme / Material : PVC</p>				

	<p>03.05.21</p> <p>KÖŞE FİTİLİ (SAĞ) CORNER GASKET (LEFT)</p> <p>Malzeme / Material : EPDM 01.02.21 - 01.03.21</p>	 		<p>03.06.21</p> <p>KÖŞE FİTİLİ (SOL) CORNER GASKET (RIGHT)</p> <p>Malzeme / Material : EPDM 01.02.21 - 01.03.21</p>
	<p>03.05.22</p> <p>KÖŞE FİTİLİ (SAĞ) CORNER GASKET (LEFT)</p> <p>Malzeme / Material : EPDM 01.02.22 - 01.03.22</p>			<p>03.06.22</p> <p>KÖŞE FİTİLİ (SOL) CORNER GASKET (RIGHT)</p> <p>Malzeme / Material : EPDM 01.02.22 - 01.03.22</p>
	<p>03.05.23</p> <p>KÖŞE FİTİLİ (SAĞ) CORNER GASKET (LEFT)</p> <p>Malzeme / Material : EPDM 01.02.23 - 01.03.23</p>			<p>03.06.23</p> <p>KÖŞE FİTİLİ (SOL) CORNER GASKET (RIGHT)</p> <p>Malzeme / Material : EPDM 01.02.23 - 01.03.23</p>
	<p>03.05.24</p> <p>KÖŞE FİTİLİ (SAĞ) CORNER GASKET (LEFT)</p> <p>Malzeme / Material : EPDM 01.02.24 - 01.03.24</p>			<p>03.06.24</p> <p>KÖŞE FİTİLİ (SOL) CORNER GASKET (RIGHT)</p> <p>Malzeme / Material : EPDM 01.02.24 - 01.03.24</p>
	<p>03.05.25</p> <p>KÖŞE FİTİLİ (SAĞ) CORNER GASKET (LEFT)</p> <p>Malzeme / Material : EPDM 01.02.25 - 01.03.25</p>			<p>03.06.25</p> <p>KÖŞE FİTİLİ (SOL) CORNER GASKET (RIGHT)</p> <p>Malzeme / Material : EPDM 01.02.25 - 01.03.25</p>
	<p>03.05.26</p> <p>KÖŞE FİTİLİ (SAĞ) CORNER GASKET (LEFT)</p> <p>Malzeme / Material : EPDM 01.02.26 - 01.03.26</p>			<p>03.06.26</p> <p>KÖŞE FİTİLİ (SOL) CORNER GASKET (RIGHT)</p> <p>Malzeme / Material : EPDM 01.02.26 - 01.03.26</p>
	<p>03.05.27</p> <p>KÖŞE FİTİLİ (SAĞ) CORNER GASKET (LEFT)</p> <p>Malzeme / Material : EPDM 01.02.27 - 01.03.27</p>			<p>03.06.27</p> <p>KÖŞE FİTİLİ (SOL) CORNER GASKET (RIGHT)</p> <p>Malzeme / Material : EPDM 01.02.27 - 01.03.27</p>

ÇİFT EKSEN MEKANİZMASI / TILT&TURN MECHANISM

		SAVIO ÇİFT EKSEN MEKANİZMASI SAVIO TILT&TURN MECHANISM		
		Malzeme / Material : Paslanmaz Çelik		
				
SAĞ RIGHT	SOL LEFT	KANAT GENİŞLİĞİ SASH WIDTH (mm)	KANAT YÜKSEKLİĞİ SASH HEIGHT (mm)	KANAT AĞIRLIĞI SASH WEIGHT (Kg)
07.34.01	07.34.02	500-1200	600-1400	100 kg
07.34.03	07.34.04	1201-1400	600-1400	100 kg
07.34.05	07.34.06	500-1200	1401-2400	100 kg
07.34.07	07.34.08	1201-1400	1401-2400	100 kg
07.34.09	07.34.10	1401-1700	1401-2400	100 kg



*KOL, MENTEŞELER, MAKASLAR, KİLİTLEME PARÇALARI SETE DAHİLDİR.
KIT INCLUDES HANDLE, HINGES, FRICTION HINGES, LOCKING PARTS AND BOLT.