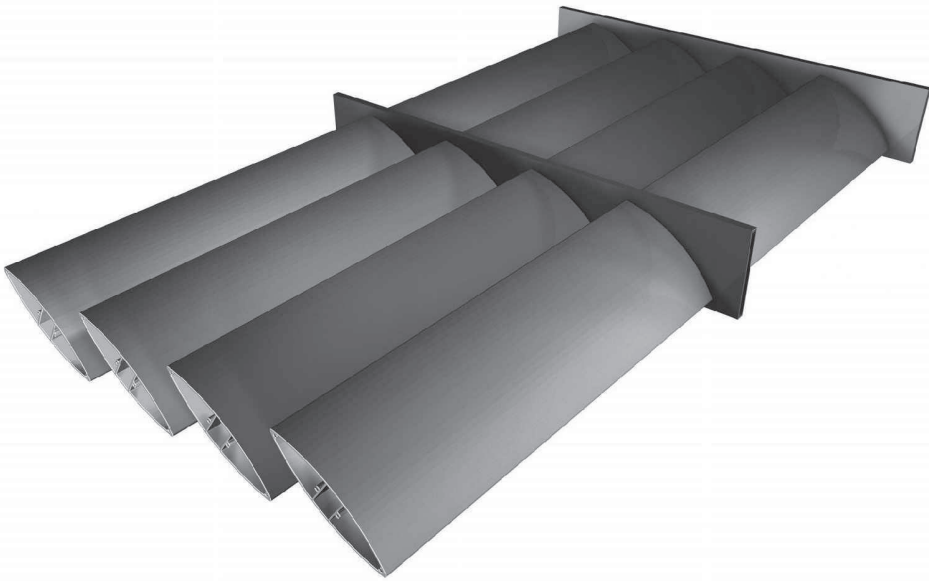


MİMARİ KATALOG ARCHITECTURAL CATALOGUE

Alüminyum Kapı Pencere ve Giydirme Cephe Sistemleri
Aluminium Window Doors and Facade Systems

 **RESCARA**

RES



MİMARİ KATALOG ARCHITECTURAL CATALOGUE

Alüminyum Kapı Pencere ve Giydirme Cephe Sistemleri
Aluminium Window Doors and Facade Systems



Rescara Sistem Detayları
Rescara System Details

RSS

PROFİLLER

PROFILES

01

02

03

04

05

06

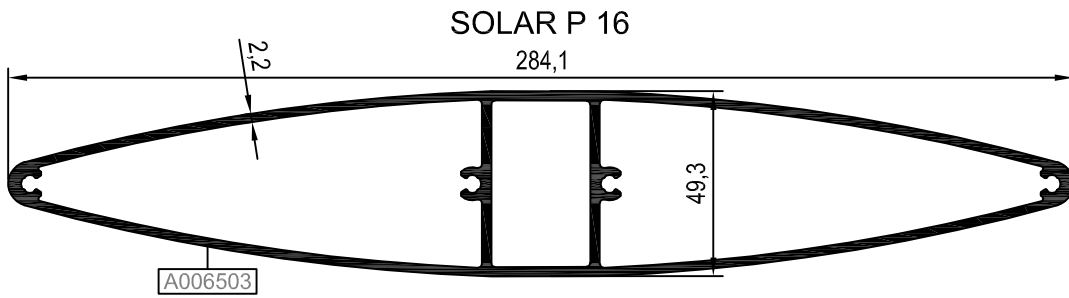
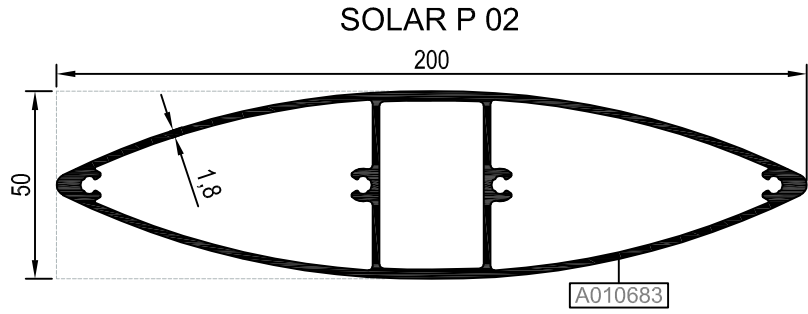
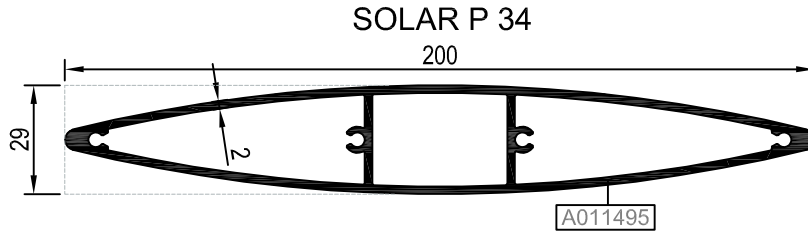
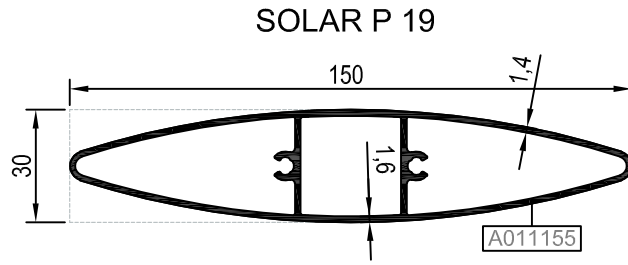
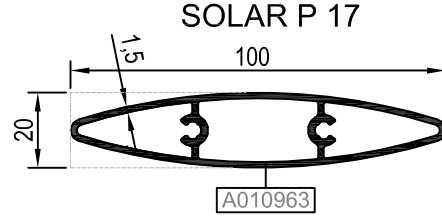
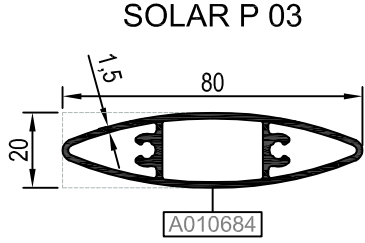
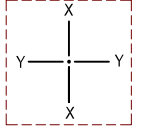
07

08

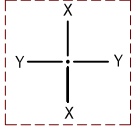
09

10

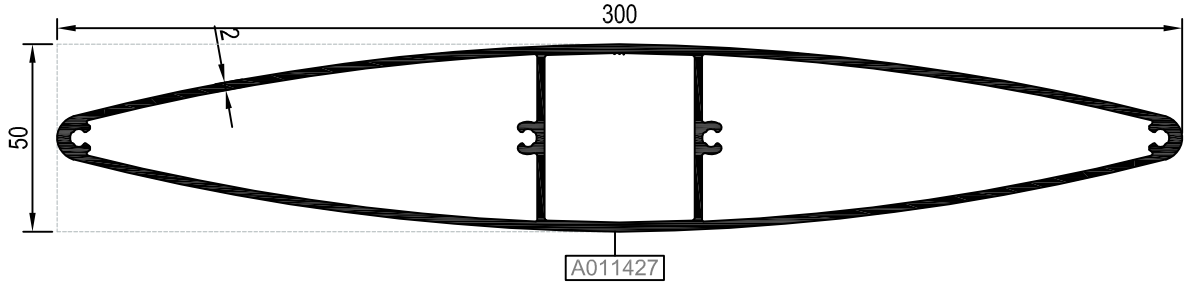
KOD / CODE	AĞIRLIK (kg/m) / WEIGHT	L m	KOD / CODE	AĞIRLIK (kg/m) / WEIGHT	L m
SOLAR P 03	0,944	6	SOLAR P 02	2,925	6
SOLAR P 17	1,057	6	SOLAR P 16	4,406	6
SOLAR P 19	1,529	6	SOLAR P 34	2,626	6



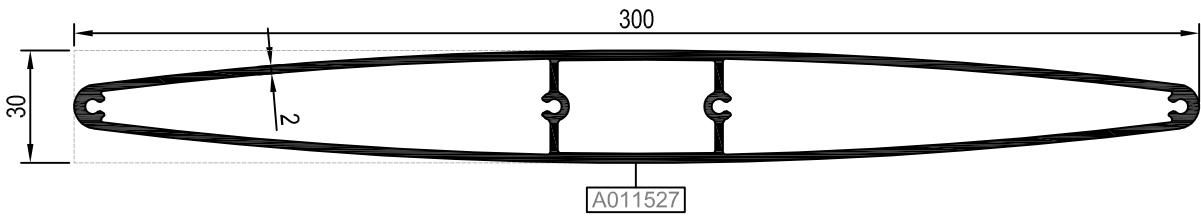
KOD / CODE	AĞIRLIK (kg/m) / WEIGHT	L m	KOD / CODE	AĞIRLIK (kg/m) / WEIGHT	L m
SOLAR P 24	4,182	6	SOLAR P 27	6,677	6
1148	0,980	6	SOLAR P 32	3,905	6
1147	1,817	6			



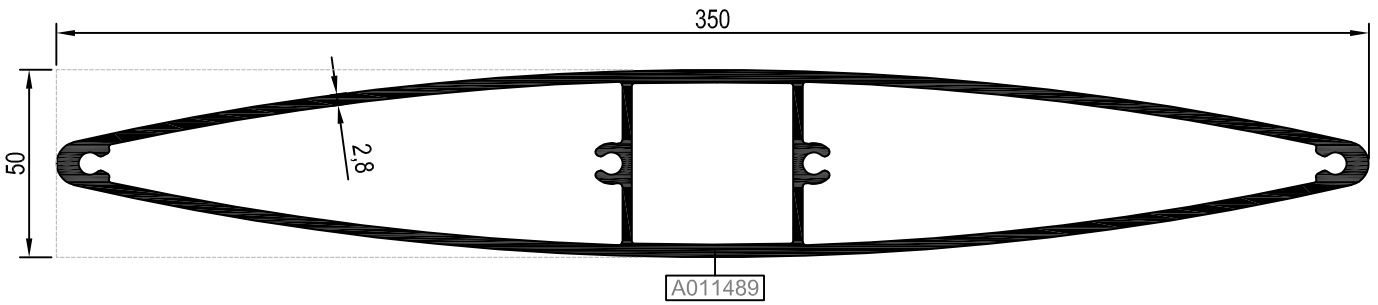
SOLAR P 24



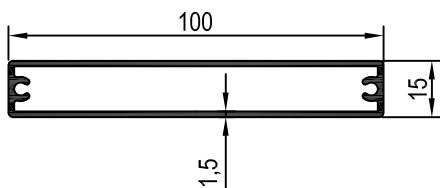
SOLAR P 32



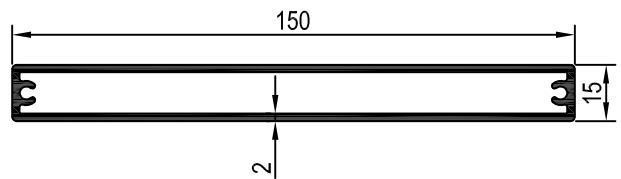
SOLAR P 27



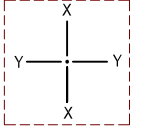
A001148



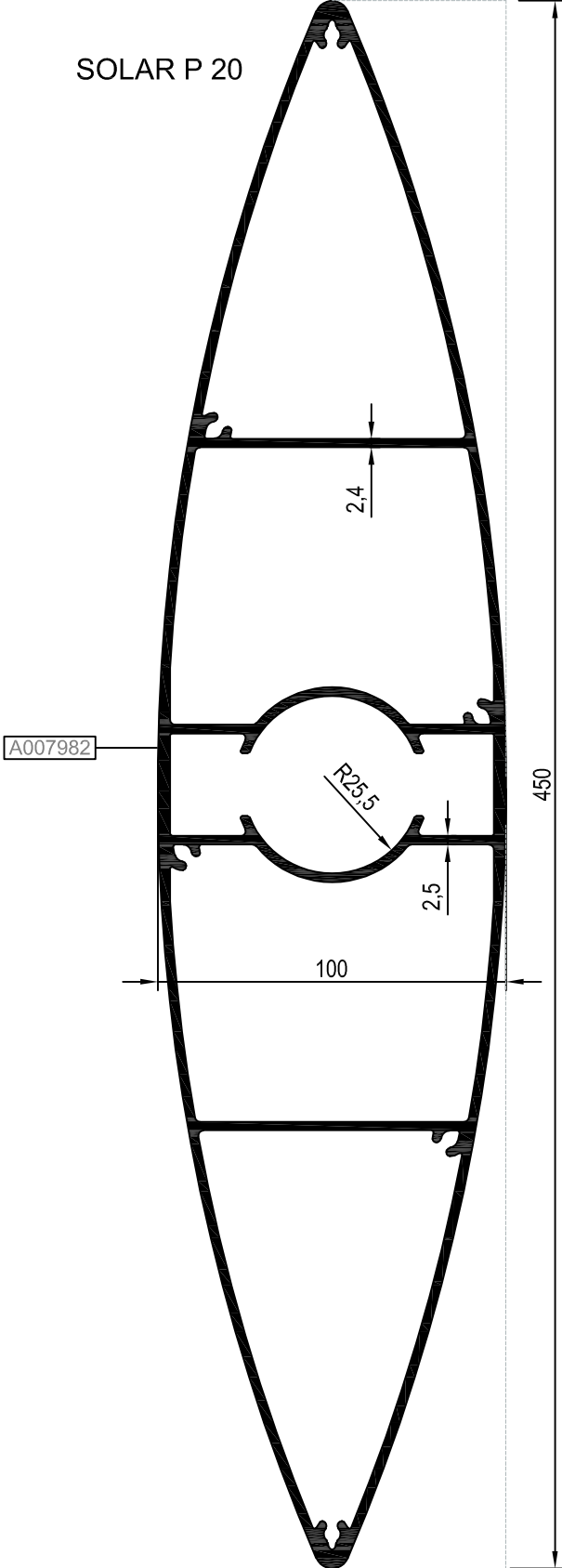
A001147



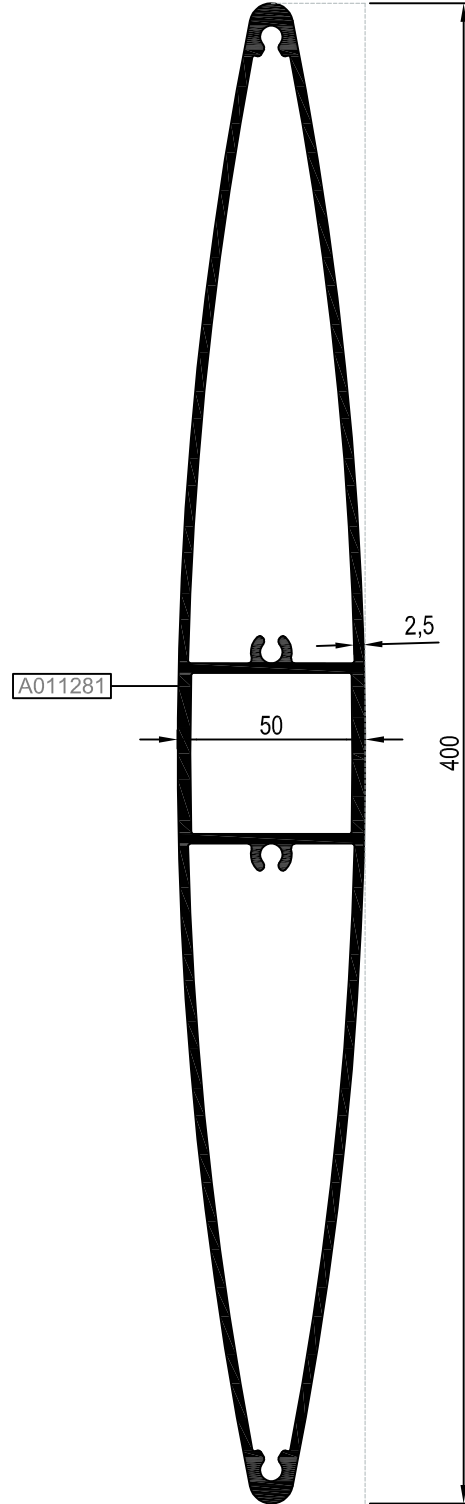
KOD / CODE	AĞIRLIK (kg/m) / WEIGHT	L m
SOLAR P 20	9,677	6
SOLAR P 21	7,033	6



SOLAR P 20

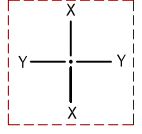


SOLAR P 21

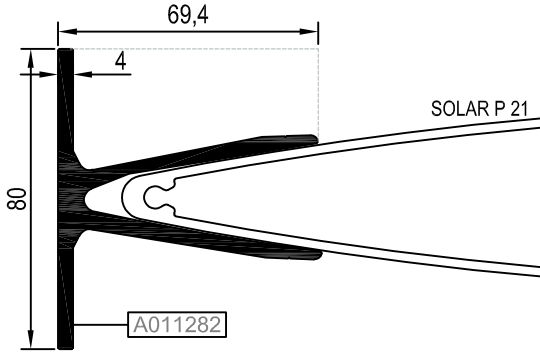


Ölçek/Scale: 1/2

KOD / CODE	AĞIRLIK (kg/m) / WEIGHT	L m	KOD / CODE	AĞIRLIK (kg/m) / WEIGHT	L m
SOLAR P 22	2,305	6	SOLAR P 13	1,785	6
SOLAR P 26	1,679	6	SOLAR P 14	1,570	6

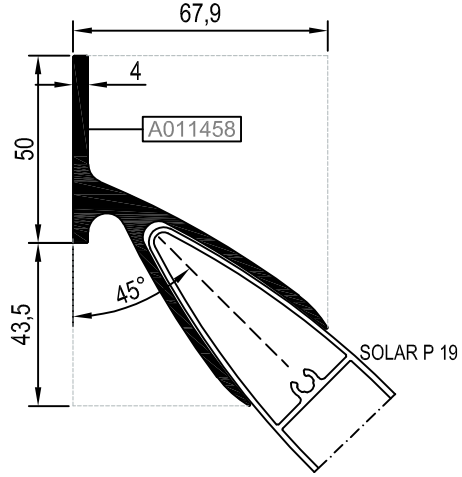


SOLAR P 22



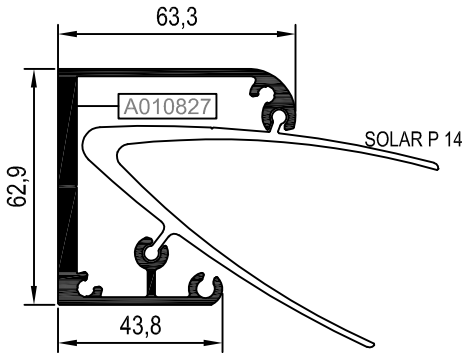
SOLAR P 21 İÇİN / FOR SOLAR P 21

SOLAR P 26



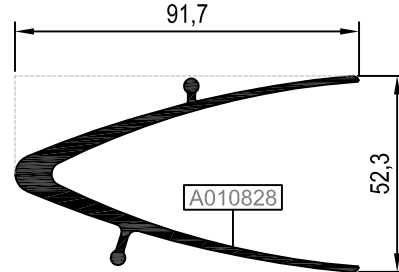
SOLAR P 19 İÇİN / FOR SOLAR P 19

SOLAR P 13

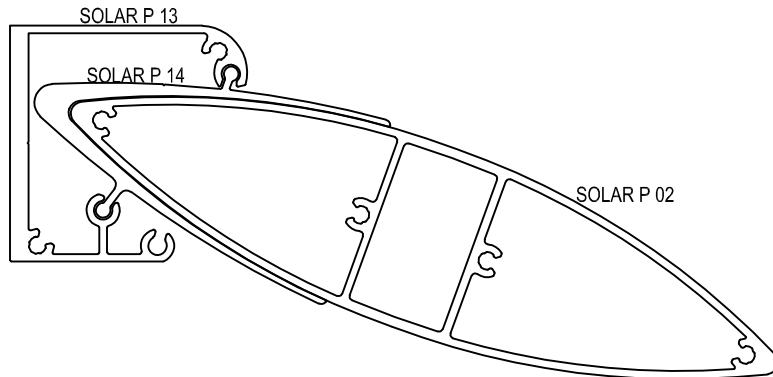


SOLAR P 14 İÇİN / FOR SOLAR P 14

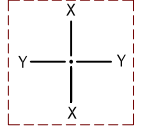
SOLAR P 14



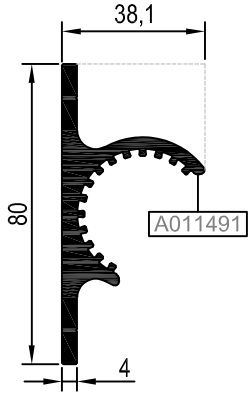
SOLAR P 02 İÇİN / FOR SOLAR P 02



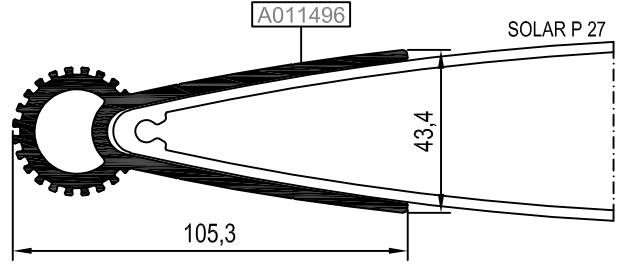
KOD / CODE	AĞIRLIK (kg/m) / WEIGHT	L m	KOD / CODE	AĞIRLIK (kg/m) / WEIGHT	L m
SOLAR P 28	1,582	6	SOLAR P 31	2,411	6
SOLAR P 29	2,385	6	SOLAR P 33	1,672	6
SOLAR P 30	2,192	6			



SOLAR P 28

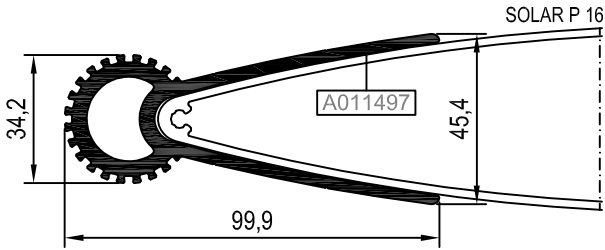


SOLAR P 29



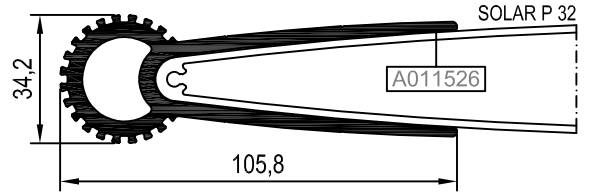
SOLAR P 27 İÇİN / FOR SOLAR P 27

SOLAR P 30



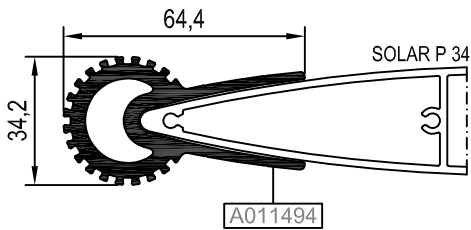
SOLAR P 16 İÇİN / FOR SOLAR P 16

SOLAR P 31



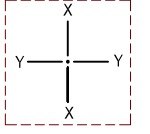
SOLAR P 32 İÇİN / FOR SOLAR P 32

SOLAR P 33

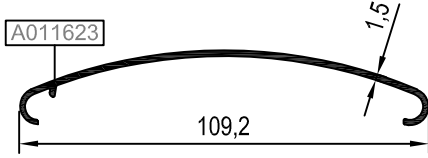


SOLAR P 34 İÇİN / FOR SOLAR P 34

KOD / CODE	AĞIRLIK (kg/m) / WEIGHT	L m	KOD / CODE	AĞIRLIK (kg/m) / WEIGHT	L m
SOLAR P 35	0,541	6	SOLAR P 38	2,757	6
SOLAR P 36	0,967	6	SOLAR P 39	0,193	6
SOLAR P 37	1,466	6			

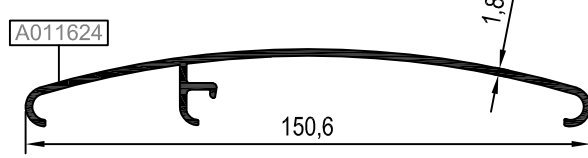


SOLAR P 35



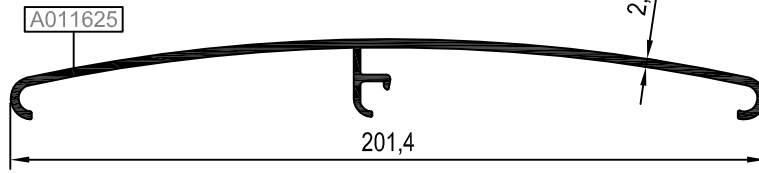
SOLAR P 38 İÇİN / FOR SOLAR P 38

SOLAR P 36



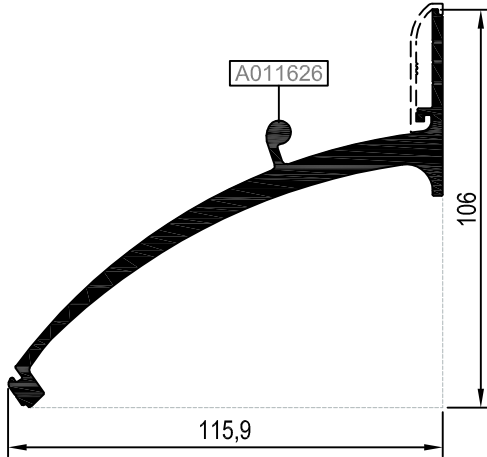
SOLAR P 38 İÇİN / FOR SOLAR P 38

SOLAR P 37

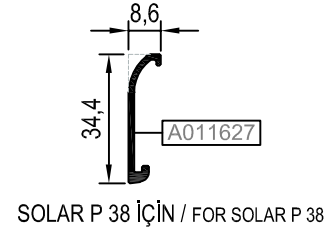


SOLAR P 38 İÇİN / FOR SOLAR P 38

SOLAR P 38



SOLAR P 39



SOLAR P 38 İÇİN / FOR SOLAR P 38

Ölçek/Scale: 1/2

STOKTA BULUNAN SİSTEM PROFİLLERİNİN LİSTESİ (LIST OF SYSTEM PROFILES IN STOCK)

Nr	MIN. SİPARİŞ MİKTARI MIN. ORDER QUANTITY
SOLAR P 17 A010963	75 kg

* STOKTA BULUNMAYAN TÜM PROFİLLER İÇİN MİNİMUM SİPARİŞ MİKTARI 300 KG'DIR.
MINIMUM ORDER QUANTITY FOR ALL THE PROFILES THAT ARE NOT IN STOCK IS 300 KG.

MİMARİ KATALOG ARCHITECTURAL CATALOGUE

Alüminyum Kapı Pencere ve Giydirme Cephe Sistemleri
Aluminium Window Doors and Facade Systems



Rescara Sistem Detayları
Rescara System Details

RSS

DETAYLAR

DETAILS

01

02

03

04

05

06

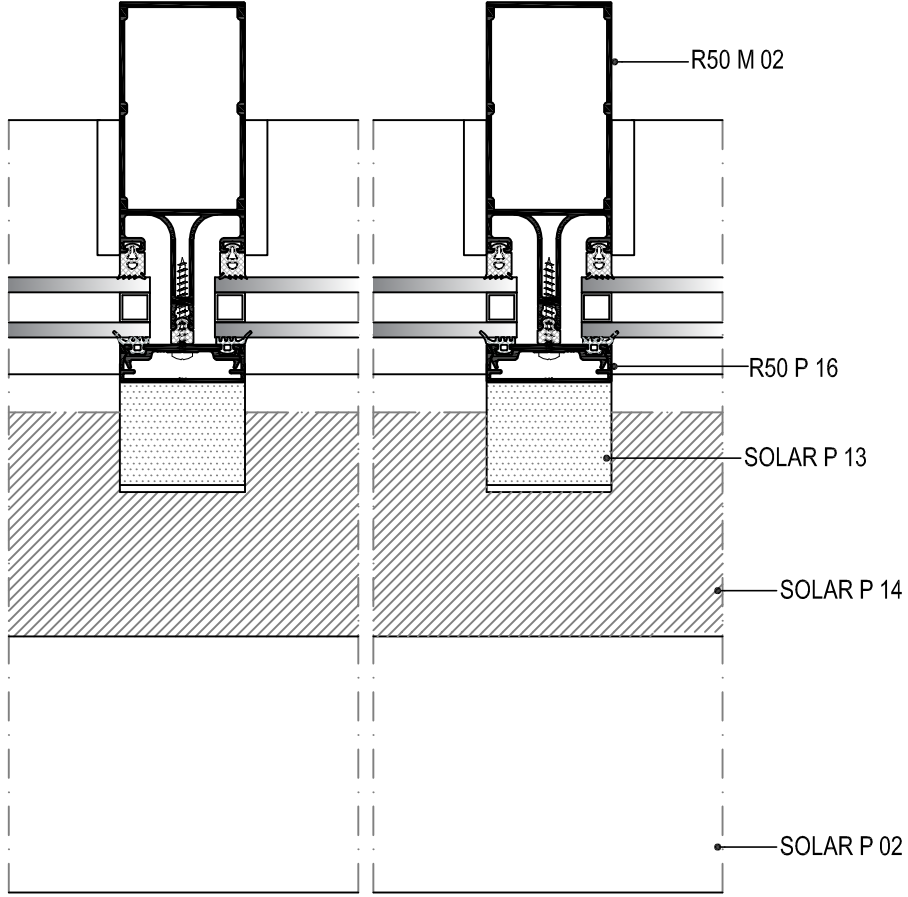
07

08

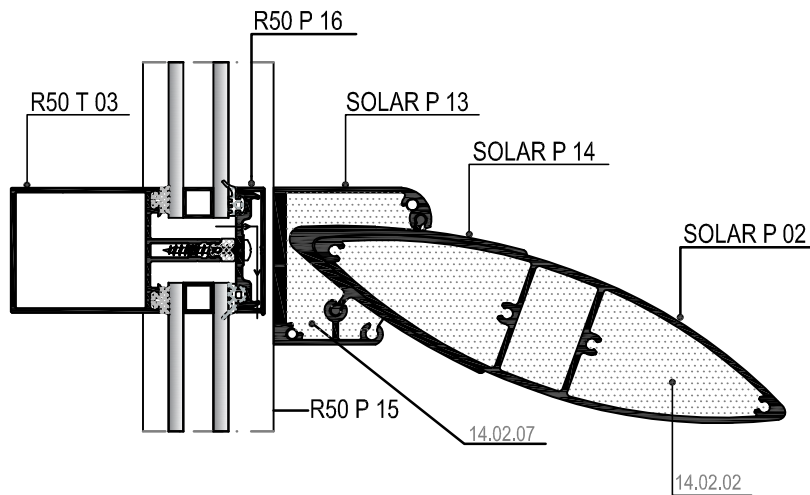
09

10

SOLAR P 02, SOLAR P 13, SOLAR P 14 İLE DETAY
DETAIL WITH SOLAR P 02, SOLAR P 13, SOLAR P 14

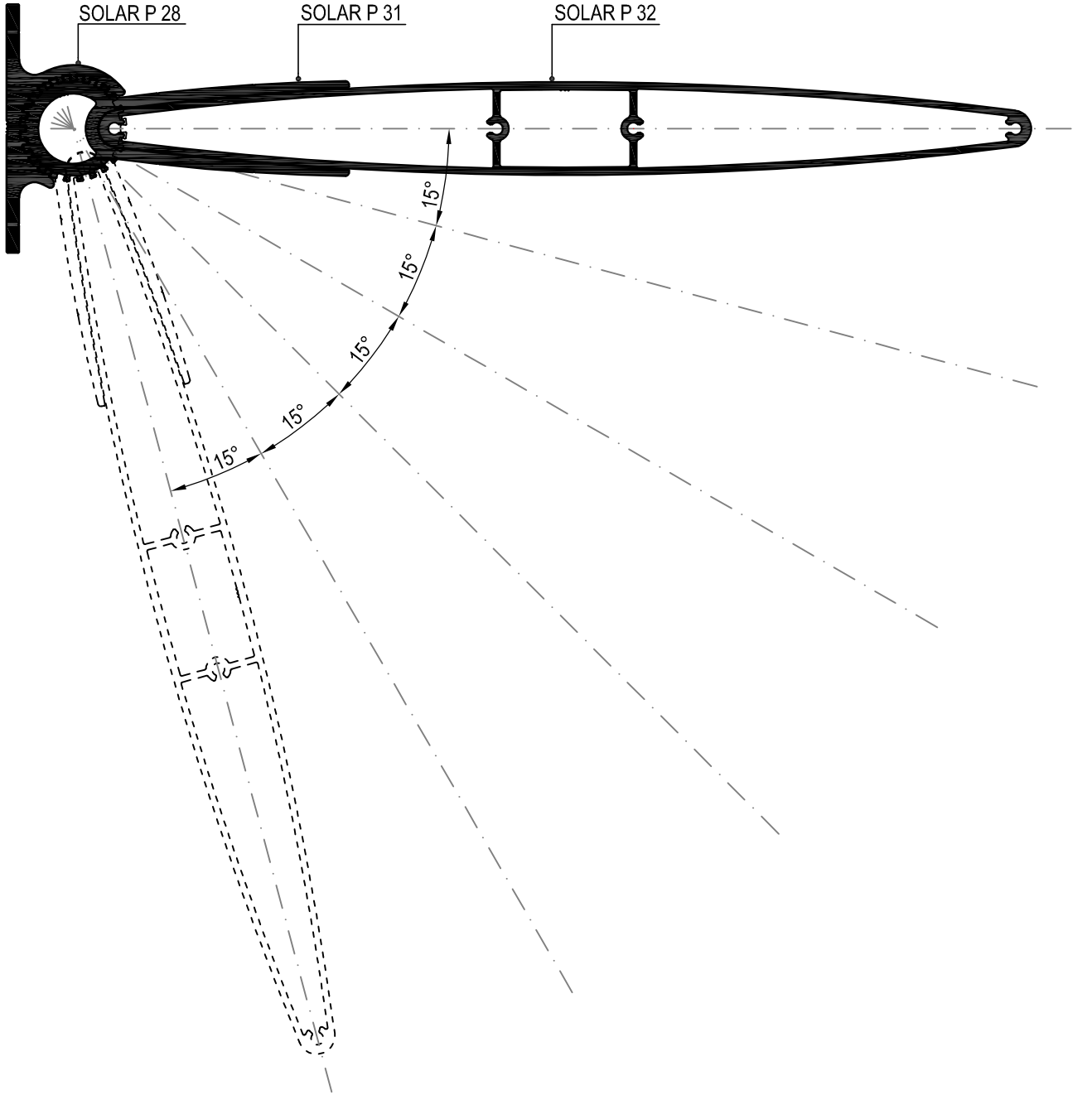


PLAN
PLAN

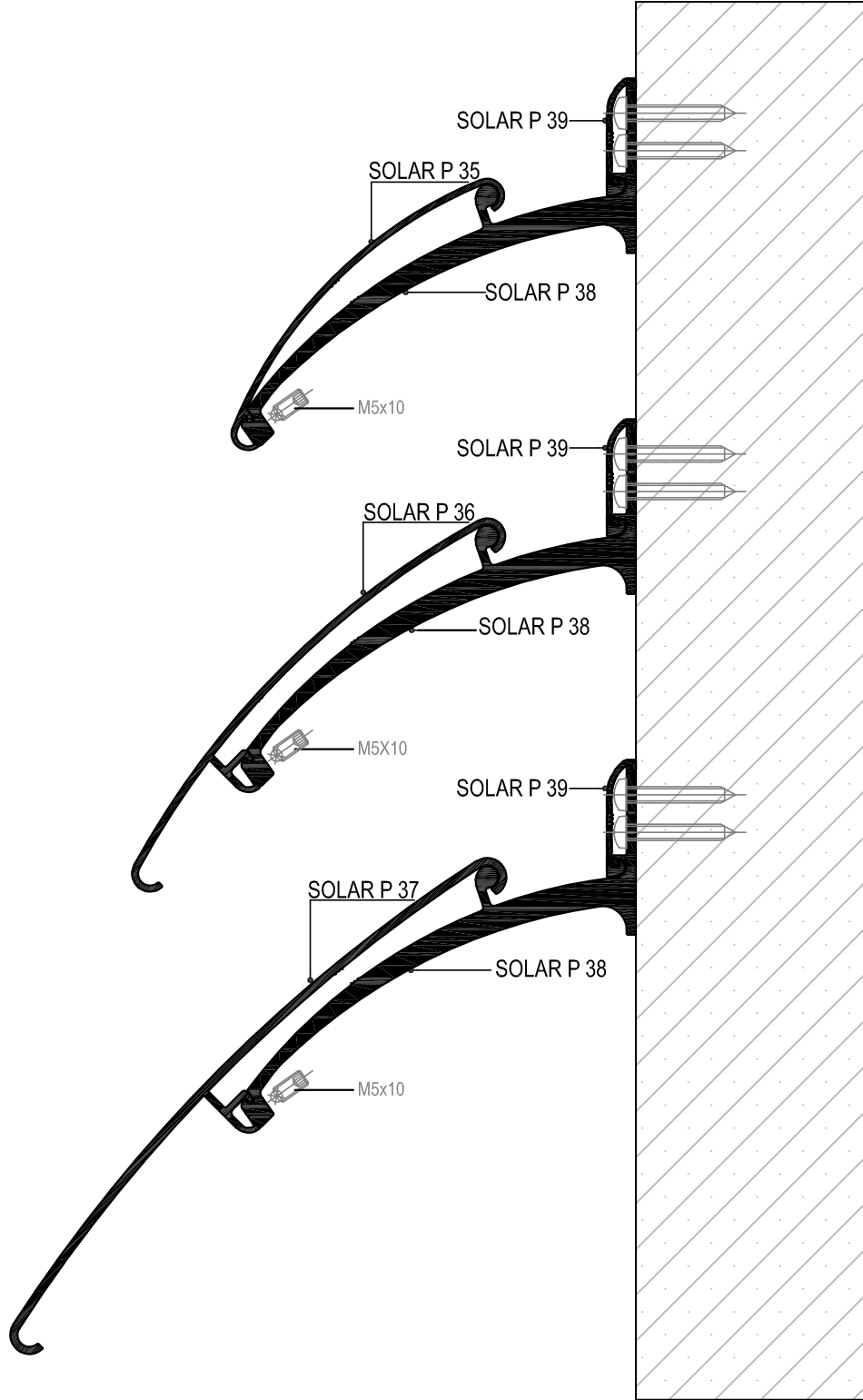


KESİT
SECTION

SOLAR P 28, SOLAR P 31, SOLAR P 32 İLE DETAY
DETAIL WITH SOLAR P 28 ,SOLAR P 31, SOLAR P 32



SOLAR P 35-36-37, SOLAR P 38, SOLAR P 39 İLE DETAY
DETAIL WITH SOLAR P 35-36-37, SOLAR P 31, SOLAR P 32



MİMARİ KATALOG ARCHITECTURAL CATALOGUE

Alüminyum Kapı Pencere ve Giydirme Cephe Sistemleri
Aluminium Window Doors and Facade Systems



Rescara Sistem Detayları
Rescara System Details

RSS

AKSESUARLAR

ACCESSORIES

01

02

03

04

05





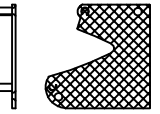
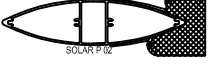


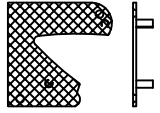
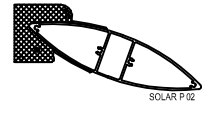

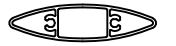
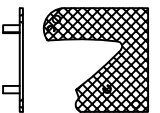
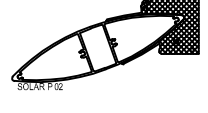





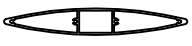






06

07

08

09

10

	<p>14.02.05</p> <p>YAN KAPAK SOL CAP-LEFT</p> <p>Malzeme / Material: - PVC</p>	 <p>SOLAR P 13 (10827)</p>		<p>14.02.09</p> <p>YAN KAPAK CAP</p> <p>Malzeme / Material: - Alüminyum</p>	 <p>SOLAR P 16 (A006503)</p>
	<p>14.02.06</p> <p>YAN KAPAK SAĞ CAP-RIGHT</p> <p>Malzeme / Material: - PVC</p>	 <p>SOLAR P 13 (10827)</p>		<p>14.02.10</p> <p>YAN KAPAK CAP</p> <p>Malzeme / Material: - Alüminyum</p>	 <p>SOLAR P 02 (A010683)</p>
	<p>14.02.07</p> <p>YAN KAPAK SOL CAP-LEFT</p> <p>Malzeme / Material: - PVC</p>	 <p>SOLAR P 13 (10827)</p>		<p>14.02.11</p> <p>YAN KAPAK CAP</p> <p>Malzeme / Material: - Alüminyum</p>	 <p>SOLAR P 03 (A010684)</p>
	<p>14.02.08</p> <p>YAN KAPAK SAĞ CAP-RIGHT</p> <p>Malzeme / Material: - PVC</p>	 <p>SOLAR P 13 (10827)</p>		<p>14.02.12</p> <p>YAN KAPAK CAP</p> <p>Malzeme / Material: - Alüminyum</p>	 <p>SOLAR P 24 (A011427)</p>
	<p>14.02.01</p> <p>YAN KAPAK CAP</p> <p>Malzeme / Material: - Alüminyum</p>	 <p>SOLAR P 16 (A006503)</p>		<p>14.02.13</p> <p>YAN KAPAK CAP</p> <p>Malzeme / Material: - Alüminyum</p>	 <p>SOLAR P 34 (A011495)</p>
	<p>14.02.02</p> <p>YAN KAPAK CAP</p> <p>Malzeme / Material: - Alüminyum</p>	 <p>SOLAR P 02 (A010683)</p>		<p>14.02.14</p> <p>YAN KAPAK CAP</p> <p>Malzeme / Material: - Alüminyum</p>	 <p>SOLAR P 19 (A011155)</p>
	<p>14.02.03</p> <p>YAN KAPAK CAP</p> <p>Malzeme / Material: - Alüminyum</p>	 <p>SOLAR P 03 (A010684)</p>			