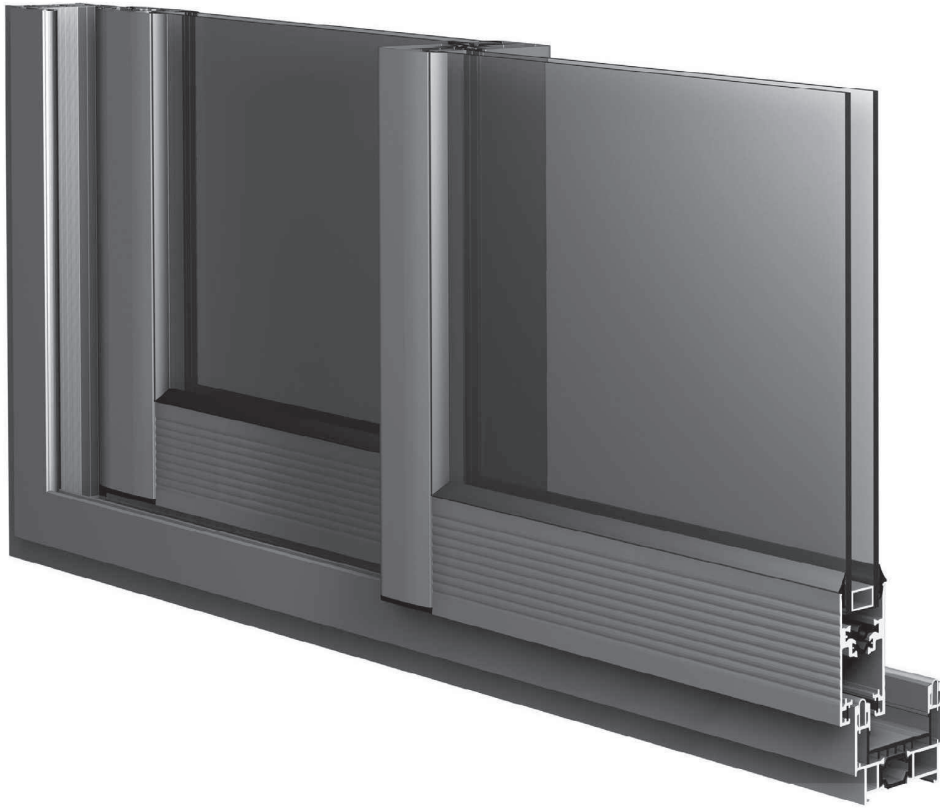


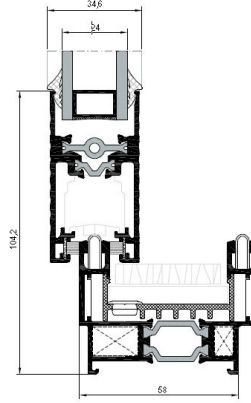
MİMARİ KATALOG ARCHITECTURAL CATALOGUE

Alüminyum Kapı Pencere ve Giydirme Cephe Sistemleri
Aluminium Window Doors and Facade Systems

 **RESCARA**



RST58



TEKNİK ÖZELLİKLERİ / TECHNICAL PROPERTIES

KASA DERİNLİĞİ / FRAME DEPTH	min.65mm - max.139,5mm
KANAT DERİNLİĞİ / VENT DEPTH	min.39,6mm - max.84,72mm
PROFİL ET KALINLIĞI / PROFILE WALL THICKNESS	1,4 / 1,5 / 1,6 mm
CAM KALINLIĞI / GLASS THICKNESS	20 / 22 / 24 mm
ISI BARIYERLERİ / THERMAL INSULATION BAR	14,8 / 20 / 24 mm

KULLANIM SEÇENEKLERİ / APPLICATION ALTERNATIVES

	KAPI DOOR	PENCERE WINDOW
BASİT SÜRME / SLIDING	*	*
90° KANAT BİRLEŞİMİ / 90° VENT COMBINATION	*	*
45° KANAT BİRLEŞİMİ / 45° VENT COMBINATION	*	*
CAM ÇİTALİ KANAT / VENT WITH GLAZING BEAD	*	*
CAM ÇİTASIZ KANAT / VENT WITHOUT GLAZING BEAD	*	*
3 RAYLI KASA / 3 RAILED FRAME	*	*
SİNEKLİK / INSECT SCREEN	*	*
SABİTLE BİRLEŞİM / COMBINATION WITH FIXED PART	*	*

PERFORMANS DEĞERLERİ / PERFORMANCE VALUES

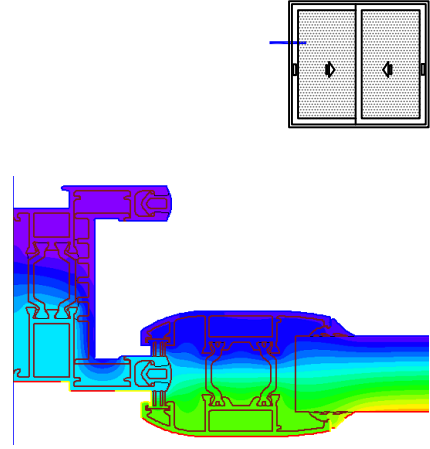
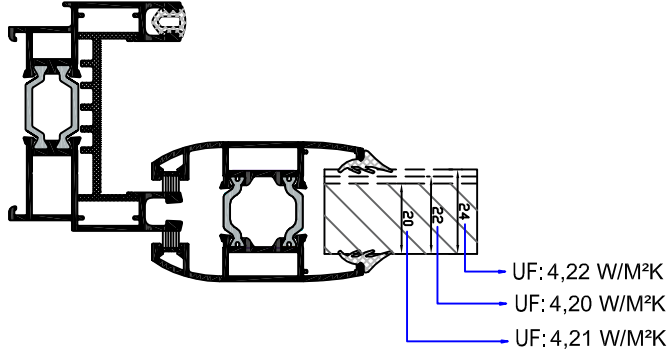
SİSTEM UF DEĞERİ - EN 10077-2
(THERMAL INSULATION VALUE)



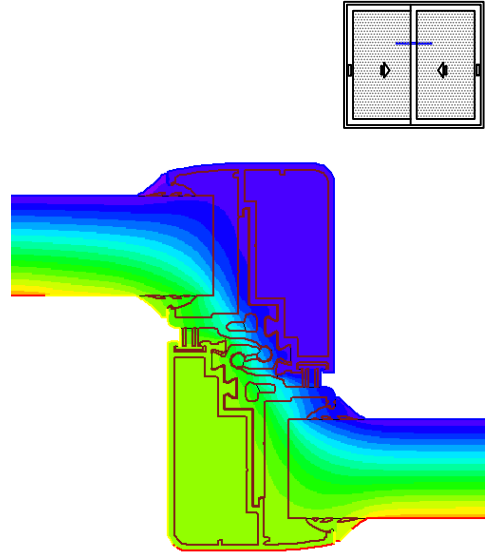
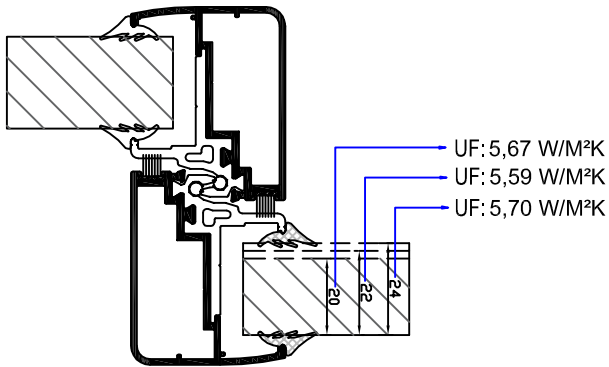
4,20~5,70 W/M²K

ISI YALITIM DEĞERLERİ (UF) / THERMAL INSULATION VALUE (UF):

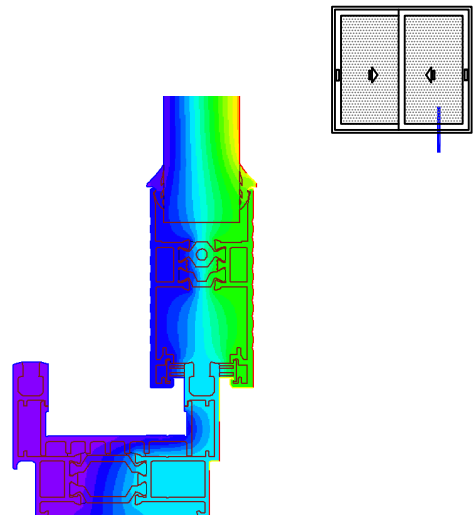
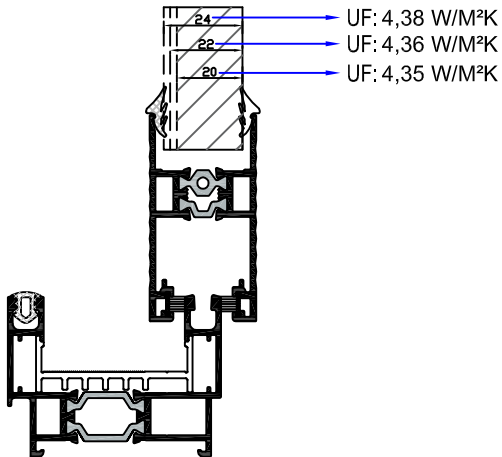
Cam Kalınlıkları (glass thickness) : 20 / 22 / 24



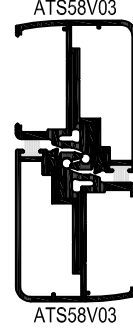
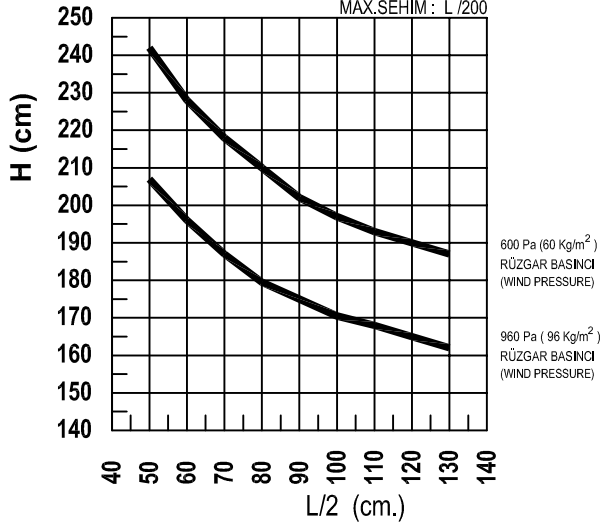
Cam Kalınlıkları (glass thickness) : 20 / 22 / 24



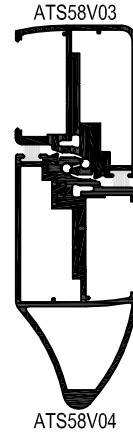
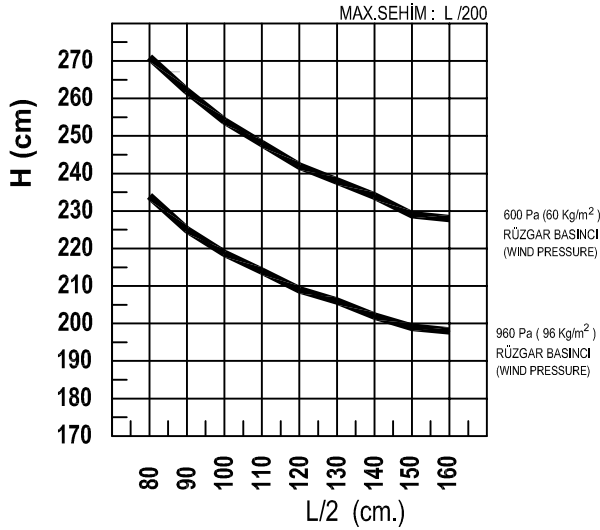
Cam Kalınlıkları (glass thickness) : 20 / 22 / 24



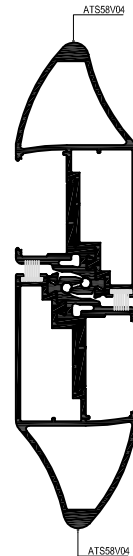
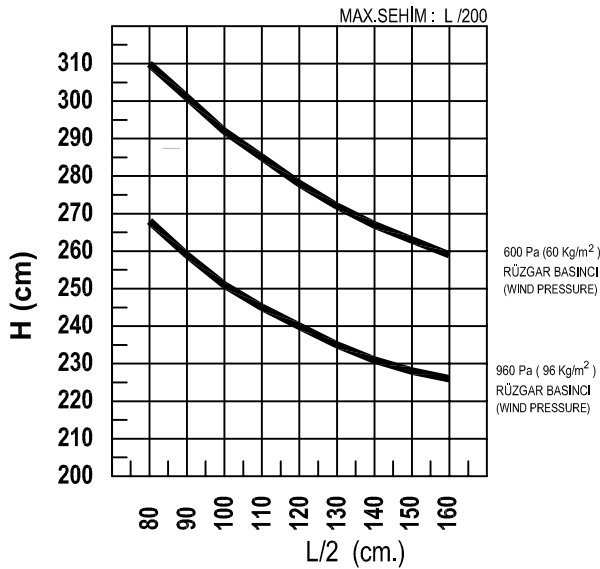
RÜZGAR YÜKÜNE GÖRE KULLANIM LİMİTLERİ GRAFİĞİ USAGE DIAGRAM FOR THE WIND LOAD



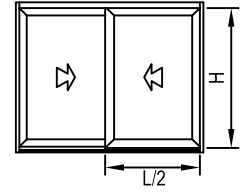
ATS58V03 Jx: 7,83 cm⁴
ATS58V03 Jx: 7,83 cm⁴
TOPLAM Jx: 15,66 cm⁴



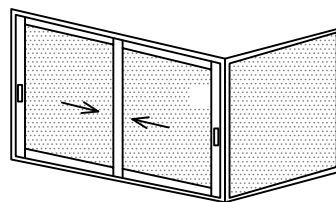
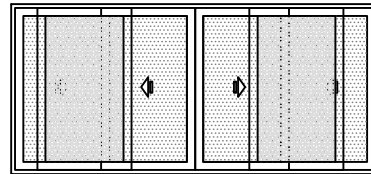
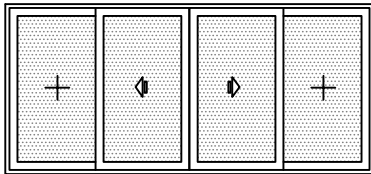
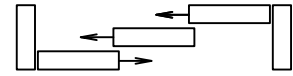
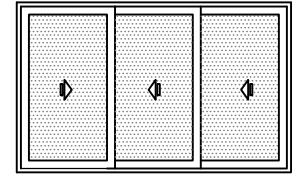
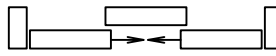
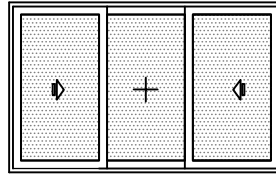
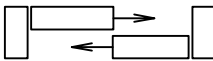
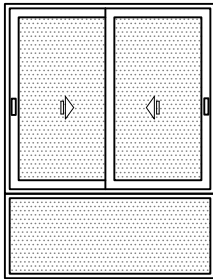
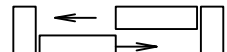
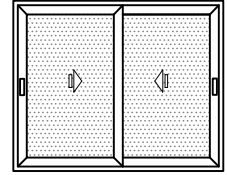
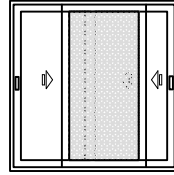
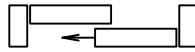
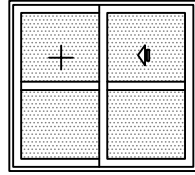
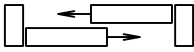
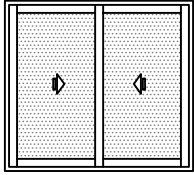
ATS58V03 Jx: 7,83 cm⁴
ATS58V04 Jx: 26,79 cm⁴
TOPLAM Jx: 34,62 cm⁴



ATS58V04 Jx: 26,79 cm⁴
ATS58V04 Jx: 26,79 cm⁴
TOPLAM Jx: 53,58 cm⁴



SİSTEM TİPOLOJİSİ
SYSTEM TIPOLOGY



MİMARİ KATALOG

ARCHITECTURAL CATALOGUE

Alüminyum Kapı Pencere ve Giydirme Cephe Sistemleri
Aluminium Window Doors and Facade Systems



Rescara Sistem Detayları
Rescara System Details

RST58

PROFİLLER

PROFILES

11

12

13

14

15

16

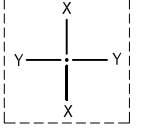
17

18

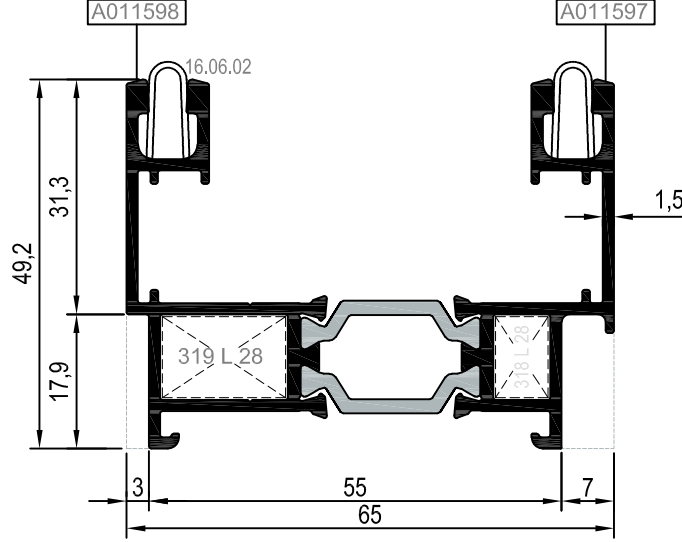
19

20

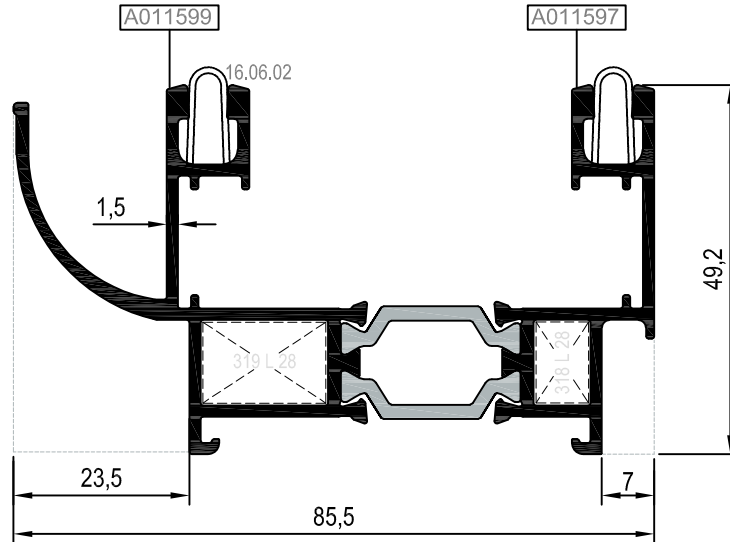
KOD / CODE	AĞIRLIK (kg/m) / WEIGHT	Jxx cm ⁴	Jyy cm ⁴	L m
ATS58F01	1,338	20,707	9,398	6
ATS58F02	1,517	30,033	10,135	6



ATS58F01



ATS58F02

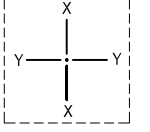


Nr		L m	KESİM ÖLÇÜSÜ CUTTING SIZE	AKS. KODU ACS. CODE
ATS58F01	A011597	25 L 28(A010542)	7,3 mm	318 L 28
	A011598	25 L 28(A010542)	16,7 mm	319 L 28
ATS58F02	A011597	25 L 28(A010542)	7,3 mm	318 L 28
	A011599	25 L 28(A010542)	16,7 mm	319 L 28

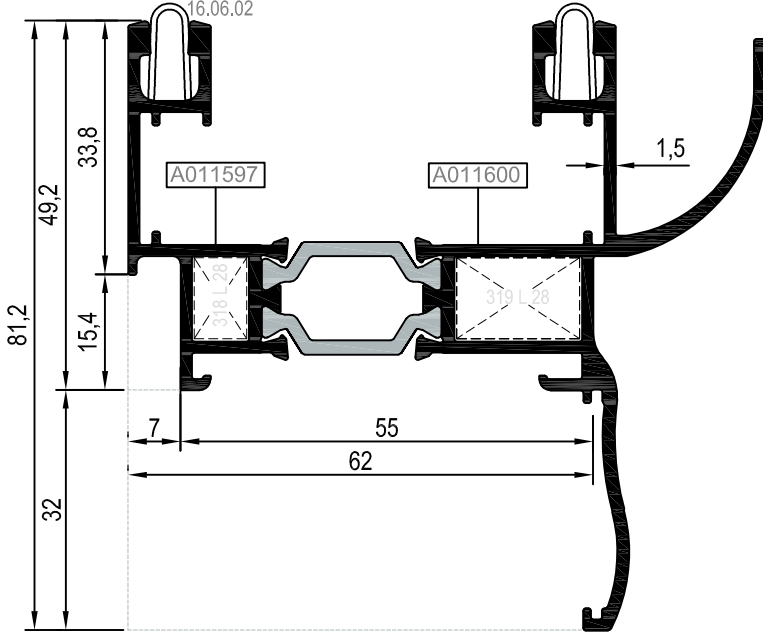
KASA PROFİLLERİ
FRAME PROFILES

RST58

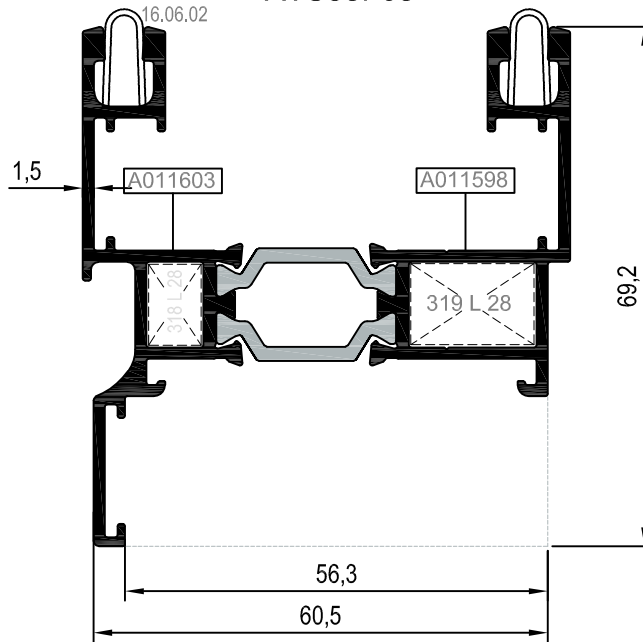
KOD / CODE	AĞIRLIK (kg/m) / WEIGHT	Jxx cm ⁴	Jyy cm ⁴	L m
ATS58F03	1,724	33,384	19,971	6
ATS58F08	1,471	23,794	13,848	6



ATS58F03



ATS58F08

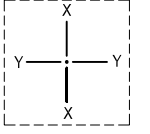


Nr		L m	KESİM ÖLÇÜSÜ CUTTING SIZE	AKS. KODU ACS. CODE
ATS58F03	A011597	25 L 28(A010542)	7,3 mm	318 L 28
	A011600	25 L 28(A010542)	16,7 mm	319 L 28
ATS58F08	A011603	25 L 28(A010542)	7,3 mm	318 L 28
	A011598	25 L 28(A010542)	16,7 mm	319 L 28

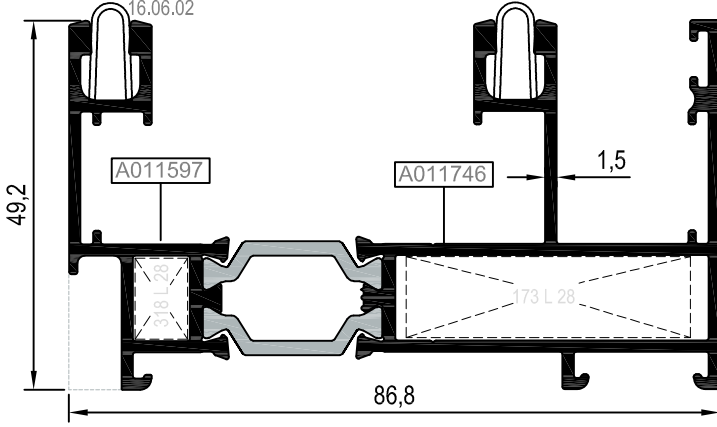
KASA PROFİLLERİ
FRAME PROFILES

RST58

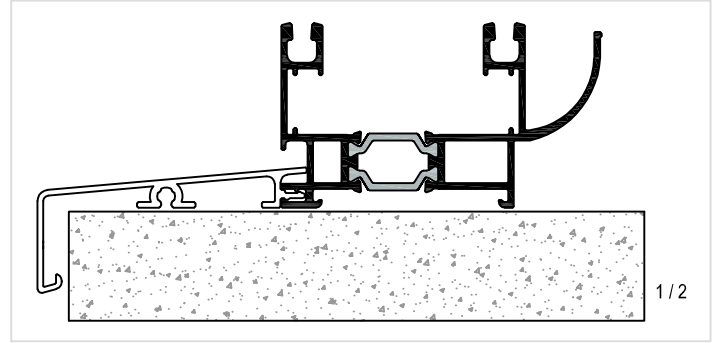
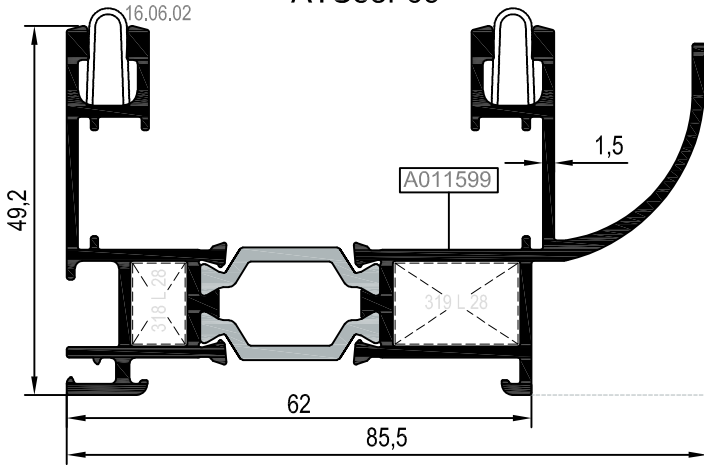
KOD / CODE	AĞIRLIK (kg/m) / WEIGHT	Jxx cm ⁴	Jyy cm ⁴	L m
ATS58F09	1,643	32,472	10,741	6
ATS58F10	1,687			



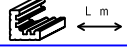
ATS58F10



**ATS58F09



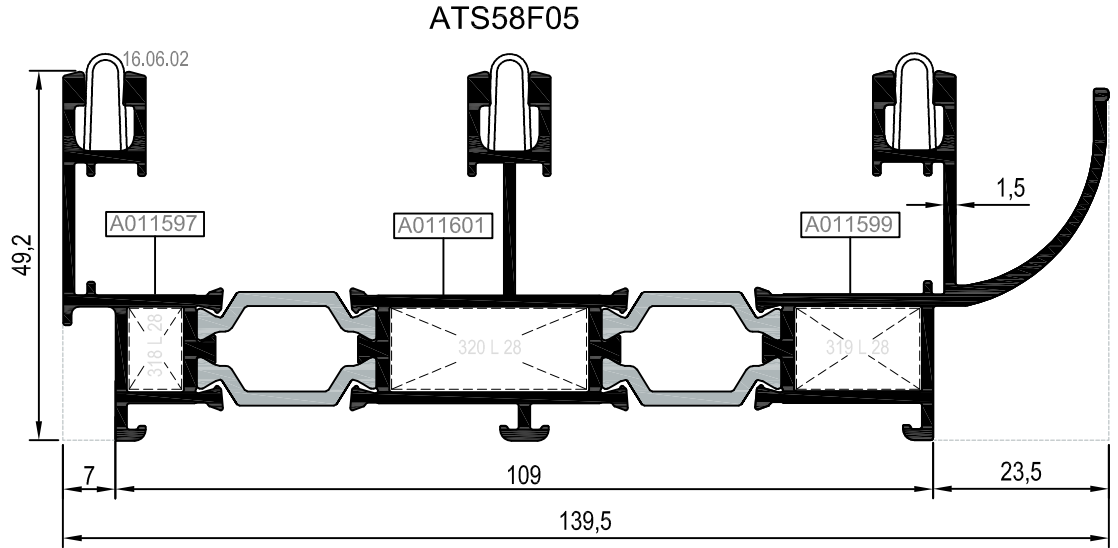
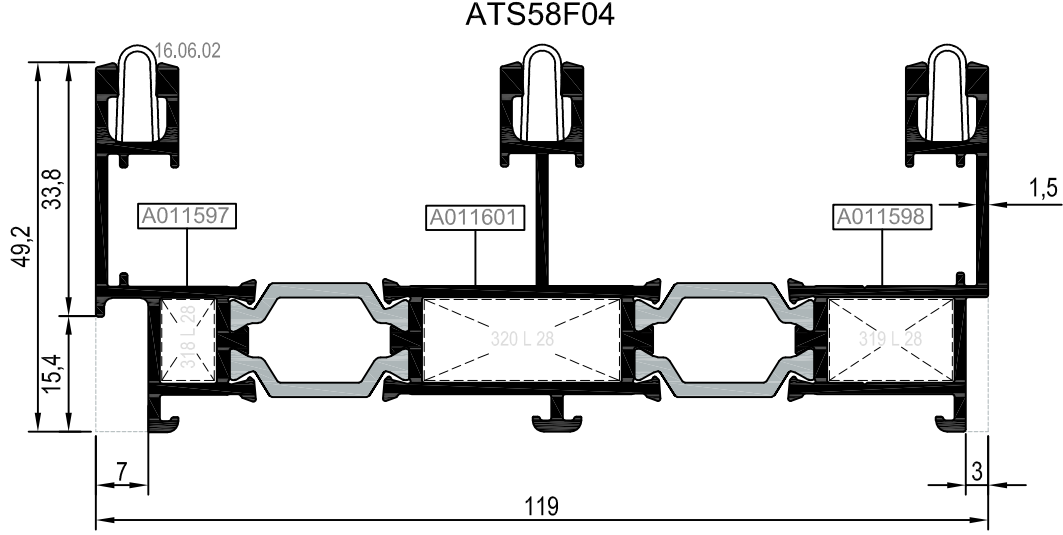
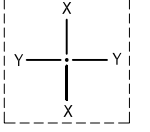
**Kalıp aktif değildir. Sipariş üzerine yapılacaktır.
The die is not active. It will be produced by order.

Nr		KESİM ÖLÇÜSÜ CUTTING SIZE	AKS. KODU ACS. CODE
ATS58F09	-----	25 L 28(A010542)	318 L 28
	A011599	25 L 28(A010542)	319 L 28
ATS58F10	A011597	25 L 28(A010542)	318 L 28
	A011746	25 L 28(A010542)	173 L 28

KASA PROFİLLERİ
FRAME PROFILES

RST58

KOD / CODE	AĞIRLIK (kg/m) / WEIGHT	Jxx cm ⁴	Jyy cm ⁴	L m
ATS58F04	2,247	92,010	15,197	6
ATS58F05	2,426	117,022	16,029	6

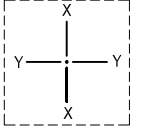


Nr		L m	KESİM ÖLÇÜSÜ CUTTING SIZE	AKS. KODU ACS. CODE
ATS58F04	A011597	25 L 28(A010542)	7,3 mm	318 L 28
	A011598	25 L 28(A010542)	16,7 mm	319 L 28
	A011601	25 L 28(A010542)	26,3 mm	320 L 28
ATS58F05	A011597	25 L 28(A010542)	7,3 mm	318 L 28
	A011599	25 L 28(A010542)	16,7 mm	319 L 28
	A011601	25 L 28(A010542)	26,3 mm	320 L 28

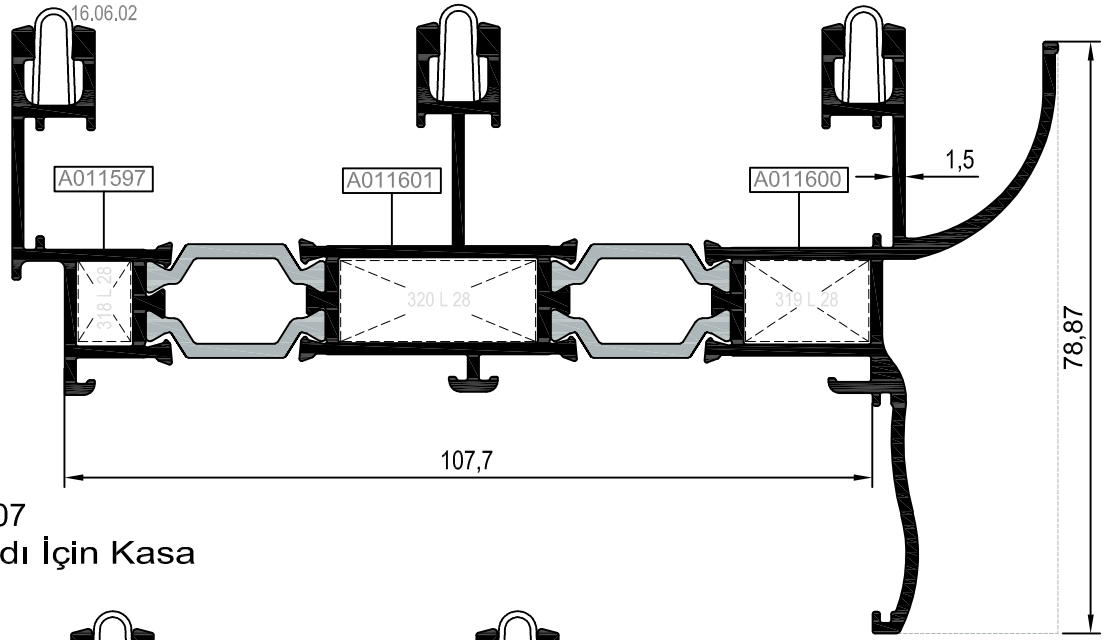
KASA PROFİLLERİ
FRAME PROFILES

RST58

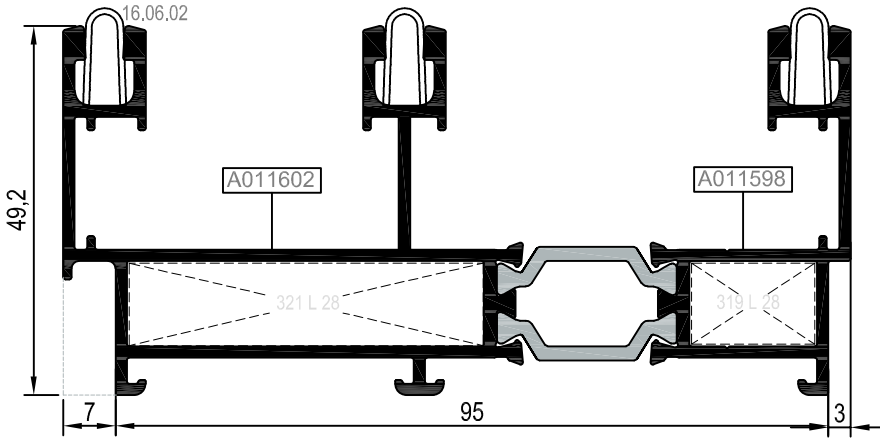
KOD / CODE	AĞIRLIK (kg/m) / WEIGHT	Jxx cm ⁴	Jyy cm ⁴	L m
ATS58F06	2,633	131,987	25,673	6
ATS58F07	1,952	67,098	14,646	6




ATS58F06



ATS58F07
Sineklik Kanadı İçin Kasa

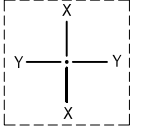


Nr	 L m	KESİM ÖLÇÜSÜ CUTTING SIZE	AKS. KODU ACS. CODE
ATS58F06	A011597	25 L 28(A010542)	7,3 mm
	A011600	25 L 28(A010542)	16,7 mm
	A011601	25 L 28(A010542)	26,3 mm
ATS58F07	A011598	25 L 28(A010542)	16,7 mm
	A011602	25 L 28(A010542)	47,3 mm

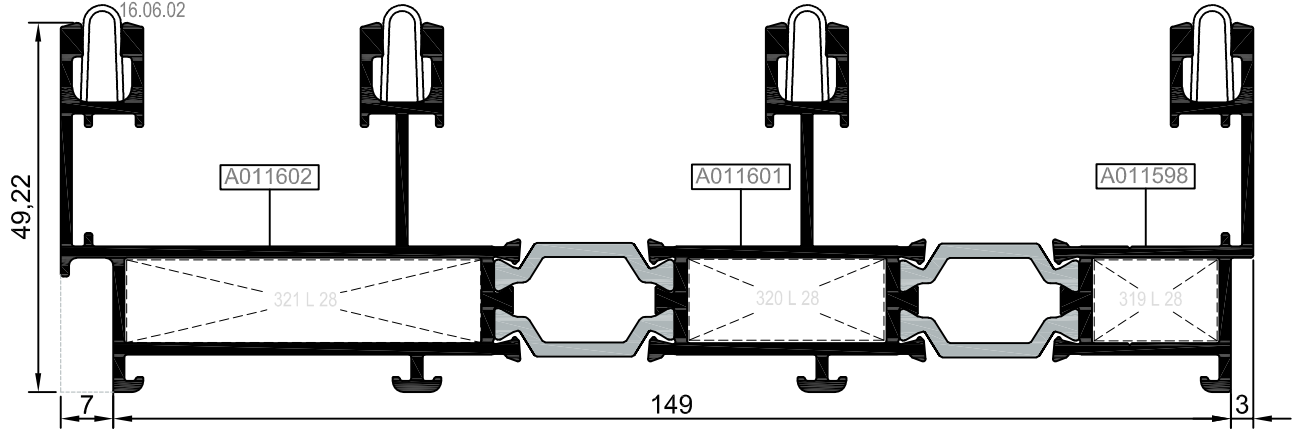
KASA PROFİLLERİ
FRAME PROFILES

RST58

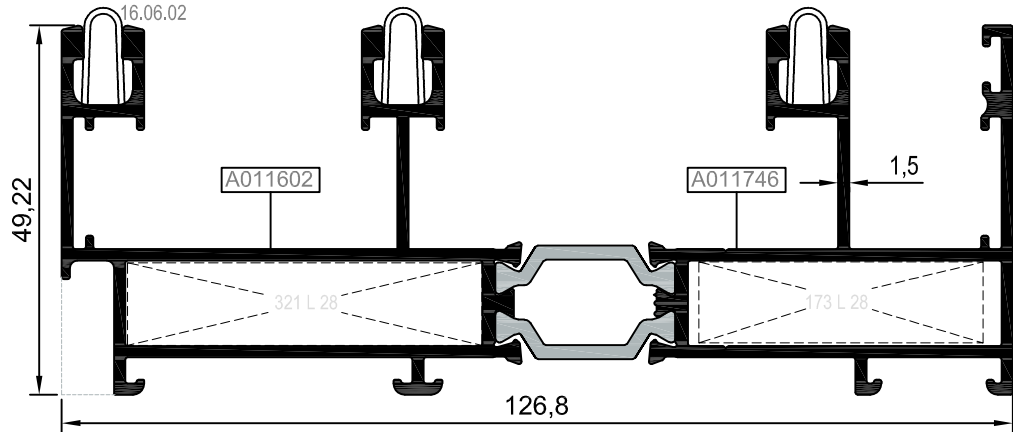
KOD / CODE	AĞIRLIK (kg/m) / WEIGHT	Jxx cm4	Jyy cm4	L m
ATS58F11	2,861			6
ATS58F12	2,323			6





ATS58F11

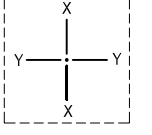


ATS58F12

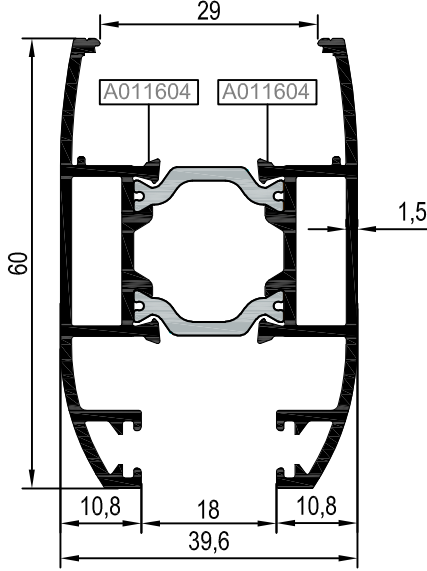


Nr	 L m	KEŞİM ÖLÇÜSÜ CUTTING SIZE	 AKS. KODU ACS. CODE	
ATS58F11	A011602	25 L 28(A010542)	47,3 mm	321 L 28
	A011601	25 L 28(A010542)	26,3 mm	320 L 28
	A011598	25 L 28(A010542)	16,7 mm	319 L 28
ATS58F12	A011602	25 L 28(A010542)	47,3 mm	321 L 28
	A011746	25 L 28(A010542)	37,9 mm	173 L 28

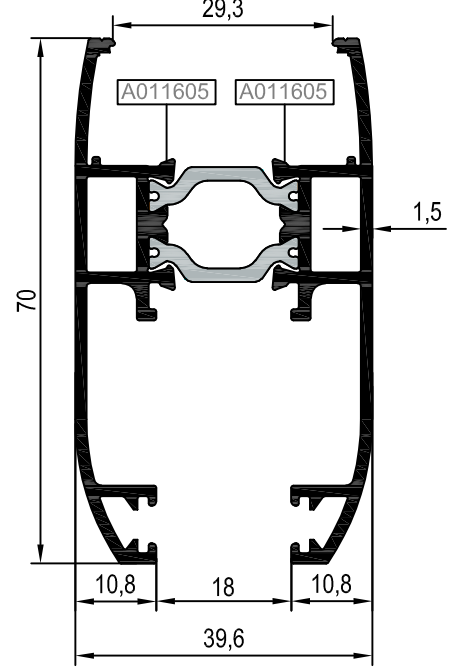
KOD / CODE	AĞIRLIK (kg/m) / WEIGHT	Jxx cm ⁴	Jyy cm ⁴	L m
ATS58V01	1,218	7,282	9,920	6
ATS58V02	1,290	8,112	15,440	6
ATS58V03	1,020	7,838	3,041	6
ATS58V04	1,444	26,799	5,616	6



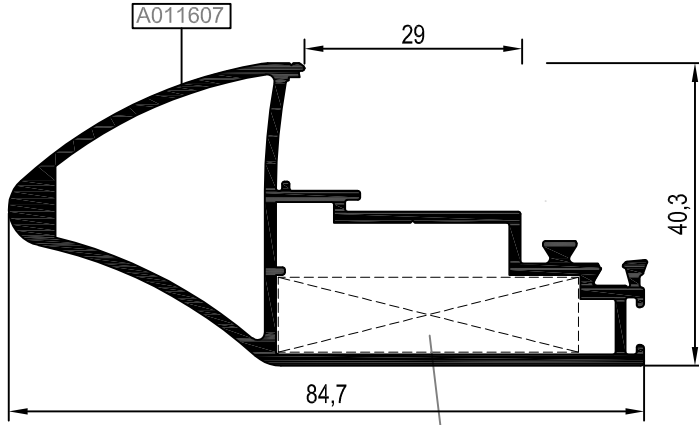
ATS58V01



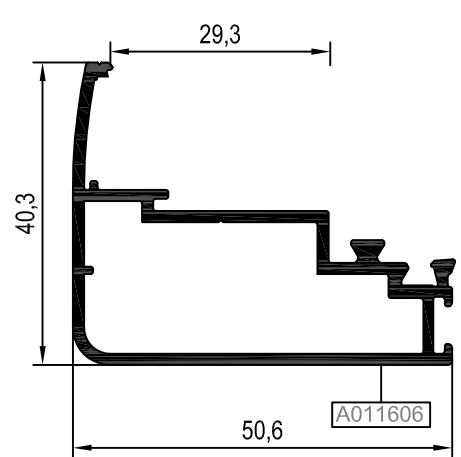
ATS58V02



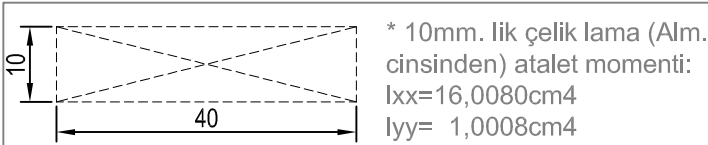
ATS58V04



ATS58V03



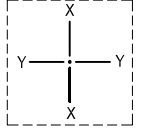
* Statiği arttırmak amacı ile profilin içerisine 10mm. lik çelik lama konulabilir.



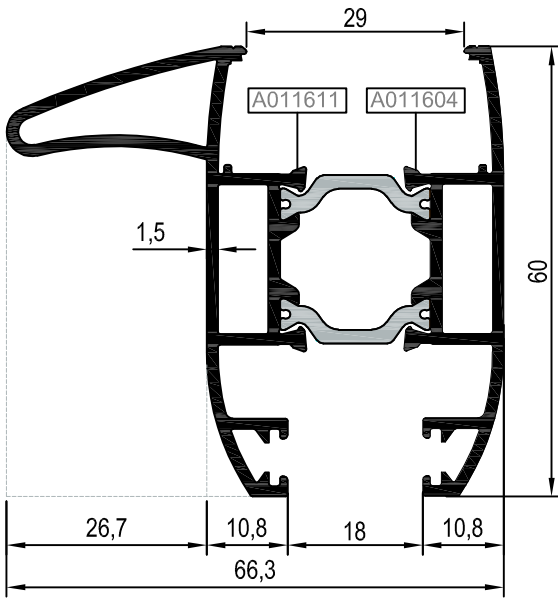
KANAT PROFİLLERİ
VENT PROFILES

RST58

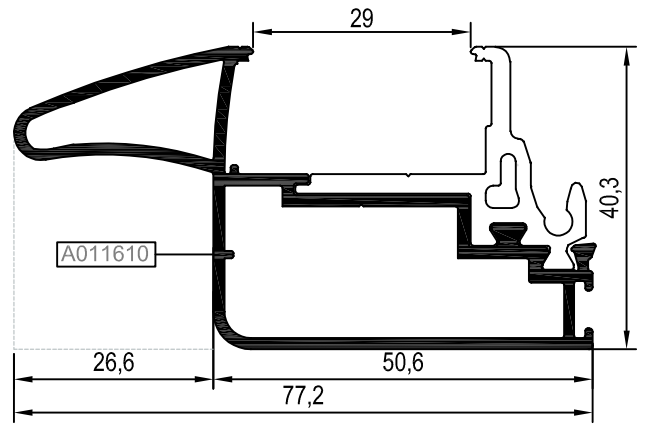
KOD / CODE	AĞIRLIK (kg/m) / WEIGHT	Jxx cm ⁴	Jyy cm ⁴	L m
ATS58V07	1,257	16,568	5,288	6
ATS58V08	1,455	13,995	13,842	6
ATS58V15	1,198			6
ATS58V14	1,174			6



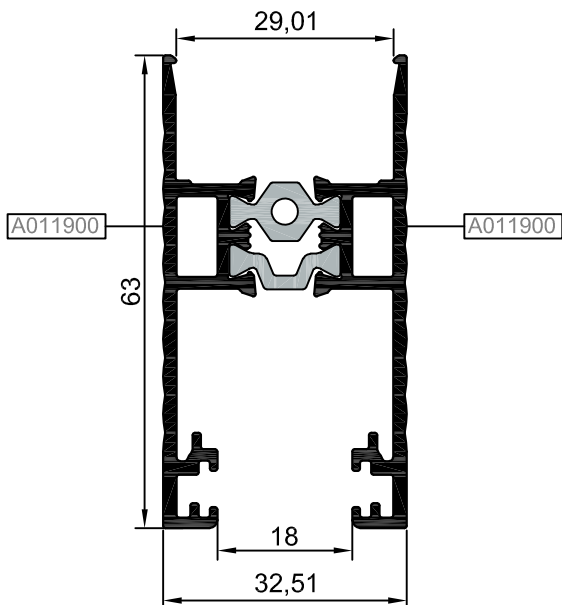
ATS58V08



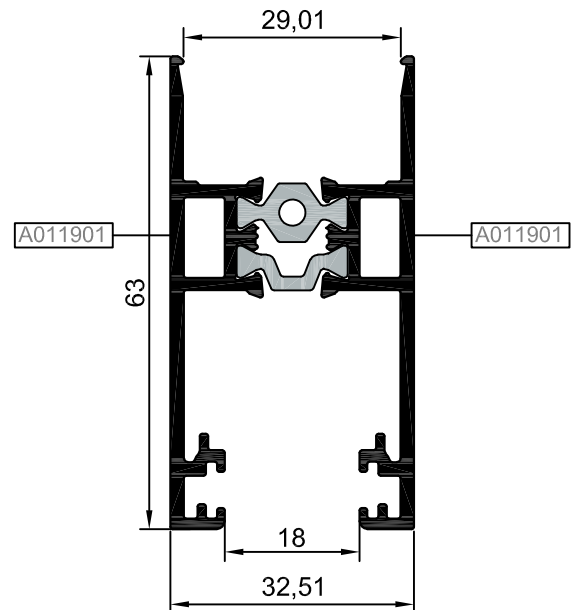
ATS58V07



ATS58V14



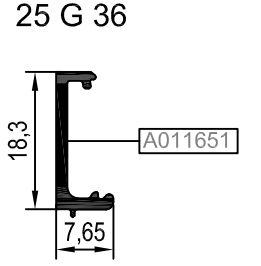
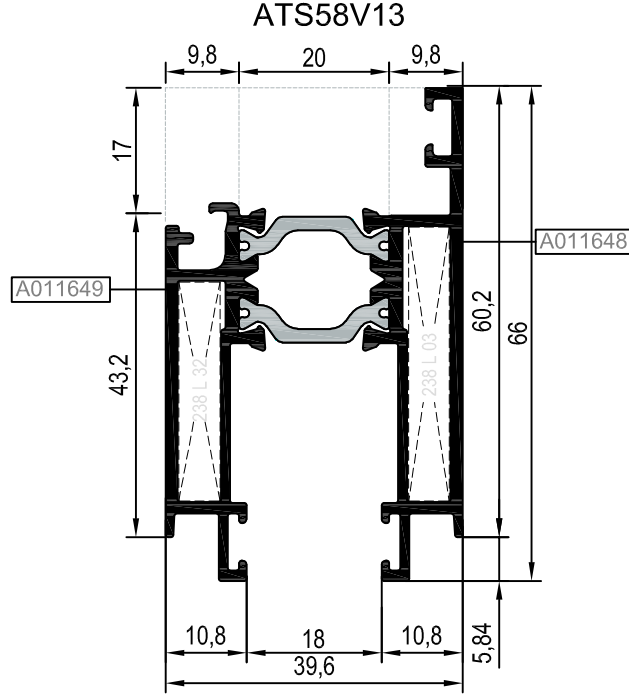
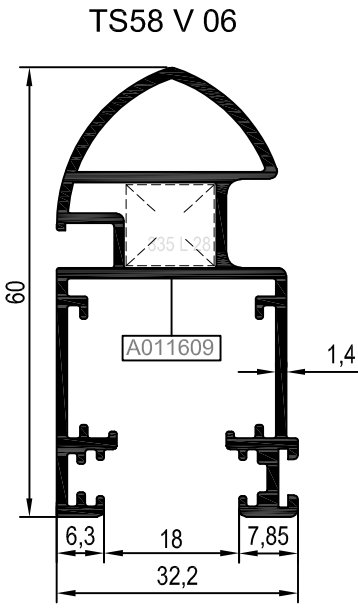
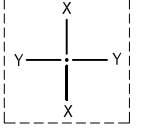
ATS58V15



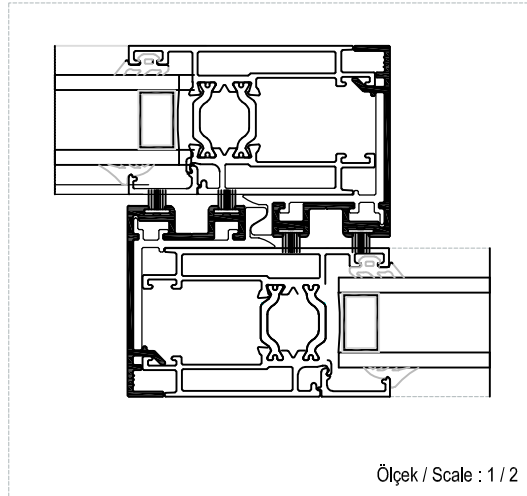
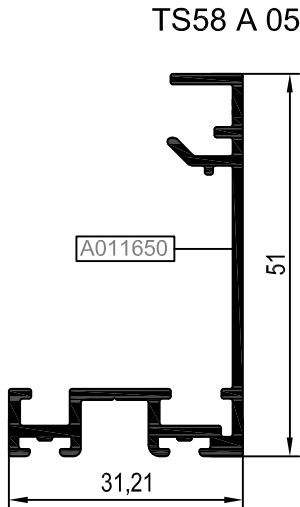
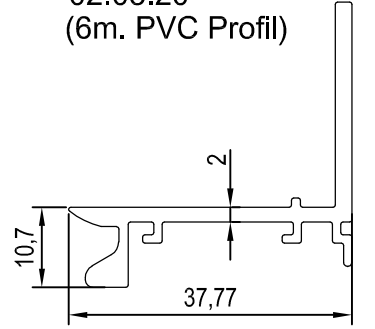
ÇITALI KANAT, KENET PROFİLİ VE CAM ÇITASI
VENT, ADAPTER, GLAZING BEAD

RST58

KOD / CODE	AĞIRLIK (kg/m) / WEIGHT	Jxx cm ⁴	Jyy cm ⁴	L m
TS58 V 06	0,917	4,270	10,506	6
ATS58V13	1,303	7,267	9,222	6
TS58 A 05	0,525	----	----	6
25 G 36	0,121	----	----	6



02.03.20
(6m. PVC Profil)



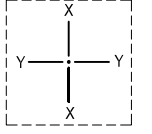
Ölçek / Scale : 1 / 2

Nr		L m	KESİM ÖLÇÜSÜ CUTTING SIZE	AKS. KODU ACS. CODE
ATS58V13	A011649	25 L 32(A002430)	5,5 mm	238 L 32
	A011648	25 L 03(A002021)	5,5 mm	238 L 03
TS58 V 06	A011609	25 L 28(A010542)	12,0 mm	335 L 28

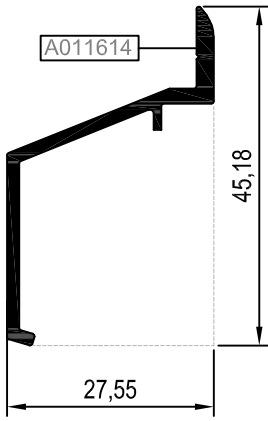
ORTA KAYIT / ADAPTÖR PROFİLLERİ
MULLION / ADAPTER PROFILES

RST58

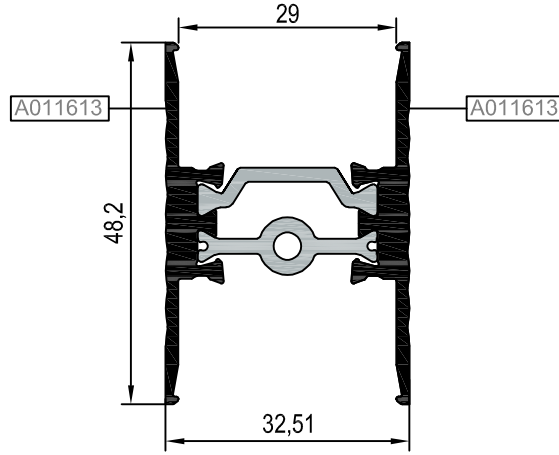
KOD / CODE	AĞIRLIK (kg/m) / WEIGHT	Jxx cm ⁴	Jyy cm ⁴	L m
TS58 A 01	0,314	1,331	1,605	6
TS58 A 02	0,139	----	----	6
TS58 A 03	0,170	----	----	6
TS58 A 04	0,617	----	----	6
ATS58M01	0,901	4,270	3,041	6
T79 A 02	0,070	----	----	6
TS58 A 06	0,467	----	----	6



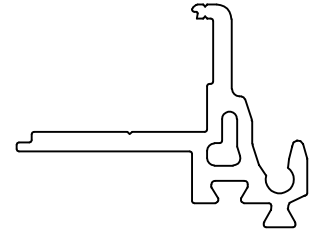
TS58 A 01



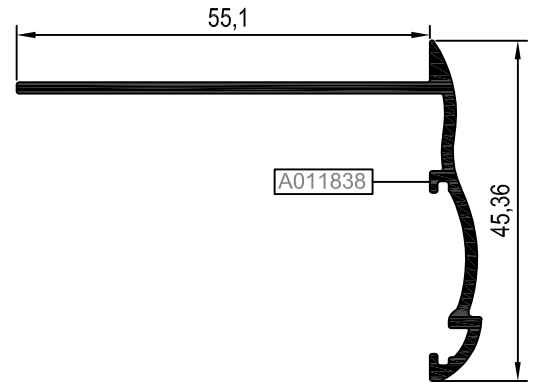
ATS58M01



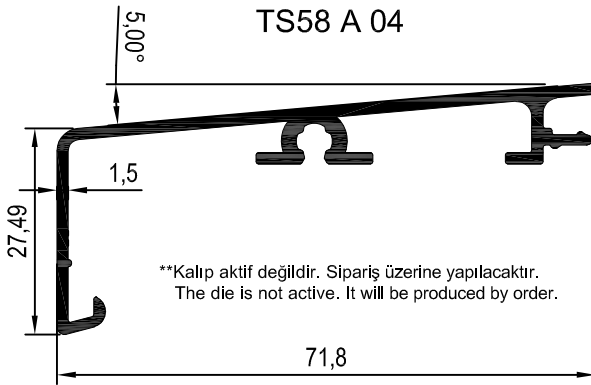
02.03.19
(6m. PVC Profil)



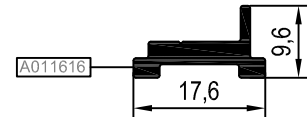
TS58 A 06



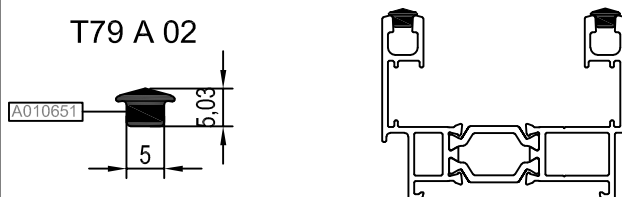
TS58 A 04



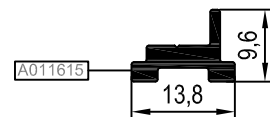
TS58 A 03



T79 A 02



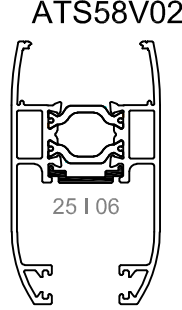
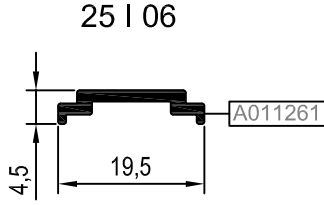
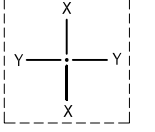
TS58 A 02



KÖŞE TAKOZLARI VE TİJ PROFİLLERİ
CORNER CLEATS AND ROD PROFILES

RST58

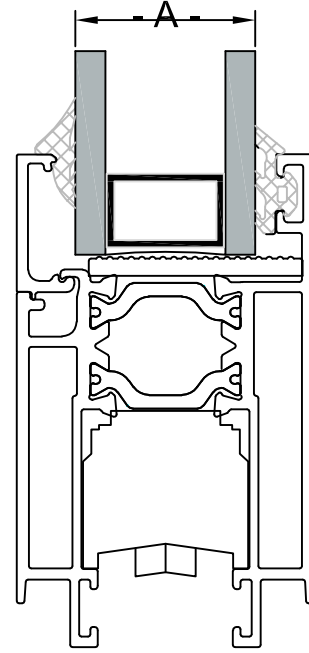
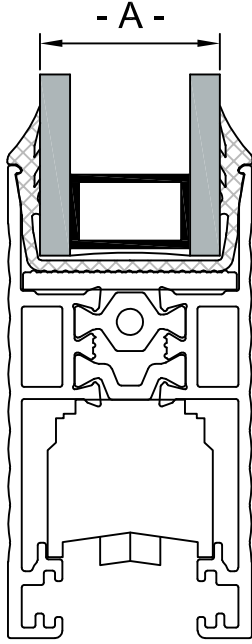
KOD / CODE	AĞIRLIK (kg/m) / WEIGHT	Jxx cm ⁴	Jyy cm ⁴	L m
25 I 06	0,104	---	---	6



Ölçek/Scale: 1

PROFİL KODU (PROFILE CODE)	25 L 28	25 L 03	25 L 32
FABRİKA KODU (FACTORY CODE)	A010542	A002021	A002430
AĞIRLIK (WEIGHT)	3,689 kg/m	4,315 kg/m	3,702 kg/m
ÇİZİM (DRAWING)			

KÖŞE TAKOZLARI (CORNER CLEATS)				
Nr		L m	KESİM ÖLÇÜSÜ CUTTING SIZE	AKS. KODU ACS. CODE
ATS58F01	A011597	25 L 28(A010542)	7,3 mm	318 L 28
	A011598	25 L 28(A010542)	16,7 mm	319 L 28
ATS58F02	A011597	25 L 28(A010542)	7,3 mm	318 L 28
	A011599	25 L 28(A010542)	16,7 mm	319 L 28
ATS58F03	A011597	25 L 28(A010542)	7,3 mm	318 L 28
	A011600	25 L 28(A010542)	16,7 mm	319 L 28
ATS58F04	A011597	25 L 28(A010542)	7,3 mm	318 L 28
	A011598	25 L 28(A010542)	16,7 mm	319 L 28
	A011601	25 L 28(A010542)	26,3 mm	320 L 28
ATS58F05	A011597	25 L 28(A010542)	7,3 mm	318 L 28
	A011599	25 L 28(A010542)	16,7 mm	319 L 28
	A011601	25 L 28(A010542)	26,3 mm	320 L 28
ATS58F06	A011597	25 L 28(A010542)	7,3 mm	318 L 28
	A011600	25 L 28(A010542)	16,7 mm	319 L 28
	A011601	25 L 28(A010542)	26,3 mm	320 L 28
ATS58F07	A011598	25 L 28(A010542)	16,7 mm	319 L 28
	A011602	25 L 28(A010542)	47,3 mm	321 L 28
ATS58F08	A011603	25 L 28(A010542)	7,3 mm	318 L 28
	A011598	25 L 28(A010542)	16,7 mm	319 L 28
ATS58F09	---	25 L 28(A010542)	7,3 mm	318 L 28
	A011599	25 L 28(A010542)	16,7 mm	319 L 28
ATS58F10	A011597	25 L 28(A010542)	7,3 mm	318 L 28
	A011746	25 L 28(A010542)	37,9 mm	173 L 28
ATS58F11	A011602	25 L 28(A010542)	47,3 mm	321 L 28
	A011601	25 L 28(A010542)	26,3 mm	320 L 28
	A011598	25 L 28(A010542)	16,7 mm	319 L 28
ATS58V13	A011649	25 L 32(A002430)	5,5 mm	238 L 32
	A011648	25 L 03(A002021)	5,5 mm	238 L 03



ÇİTALİ KANAT / VENT WITH GLAZING BEAD

U TİP FİTİL İÇİN CAM KALINLIKLARI TABLOSU

	- A - (cam kalınlıkları)	- B - (cam fitili)	- C - (cam takozu)
1	20 mm.	01.16.18	11.02.20
2	22 mm.	01.16.17	11.02.20
3	24 mm.	01.16.16	11.02.20

KAMA TİP FİTİL İÇİN CAM KALINLIKLARI TABLOSU

	- A - (cam kalınlıkları)	- B - (Dış cam fitili)	- C - (cam takozu)	- D - (iç cam fitili)
1	24 mm.	01.16.19	11.02.20	01.17.08
2	22 mm.	01.16.19	11.02.20	01.17.23

RST58

STOKTA BULUNAN SİSTEM PROFİLLERİNİN LİSTESİ (LIST OF SYSTEM PROFILES IN STOCK)

Nr			MIN. SİPARİŞ MİKTARI MIN. ORDER QUANTITY
ATS58F01	A011597	75 kg	150 kg
	A011598	75 kg	
ATS58F02	A011597	75 kg	150 kg
	A011599	75 kg	
ATS58F03	A011597	75 kg	150 kg
	A011600	75 kg	
ATS58F04	A011597	75 kg	150 kg
	A011598	75 kg	
ATS58F07	A011602	75 kg	150 kg
	A011598	75 kg	
ATS58V01	A011604	75 kg	150 kg
	A011604	75 kg	
ATS58V02	A011605	75 kg	150 kg
	A011605	75 kg	
ATS58V09	A011612	75 kg	150 kg
	A011612	75 kg	
ATS58V13	A011648	75 kg	150 kg
	A011649	75 kg	
ATS58V14	A011900	75 kg	150 kg
	A011900	75 kg	
ATS58V15	A011901	75 kg	150 kg
	A011901	75 kg	
TS58 V 06	A011609	75 kg	
TS58 V 10	A011607	75 kg	
TS58 V 11	A011610	75 kg	
TS58 V 12	A011606	75 kg	
TS58 A 05	A011650	75 kg	

* STOKTA BULUNMAYAN TÜM PROFİLLER İÇİN MİNİMUM SİPARİŞ MİKTARI 300 KG'DİR.

MINIMUM ORDER QUANTITY FOR ALL THE PROFILES THAT ARE NOT IN STOCK IS 300 KG.

MİMARİ KATALOG

ARCHITECTURAL CATALOGUE

Alüminyum Kapı Pencere ve Giydirme Cephe Sistemleri
Aluminium Window Doors and Facade Systems



Rescara Sistem Detayları
Rescara System Details

RST58

DETAYLAR

DETAILS

11

12

13

14

15

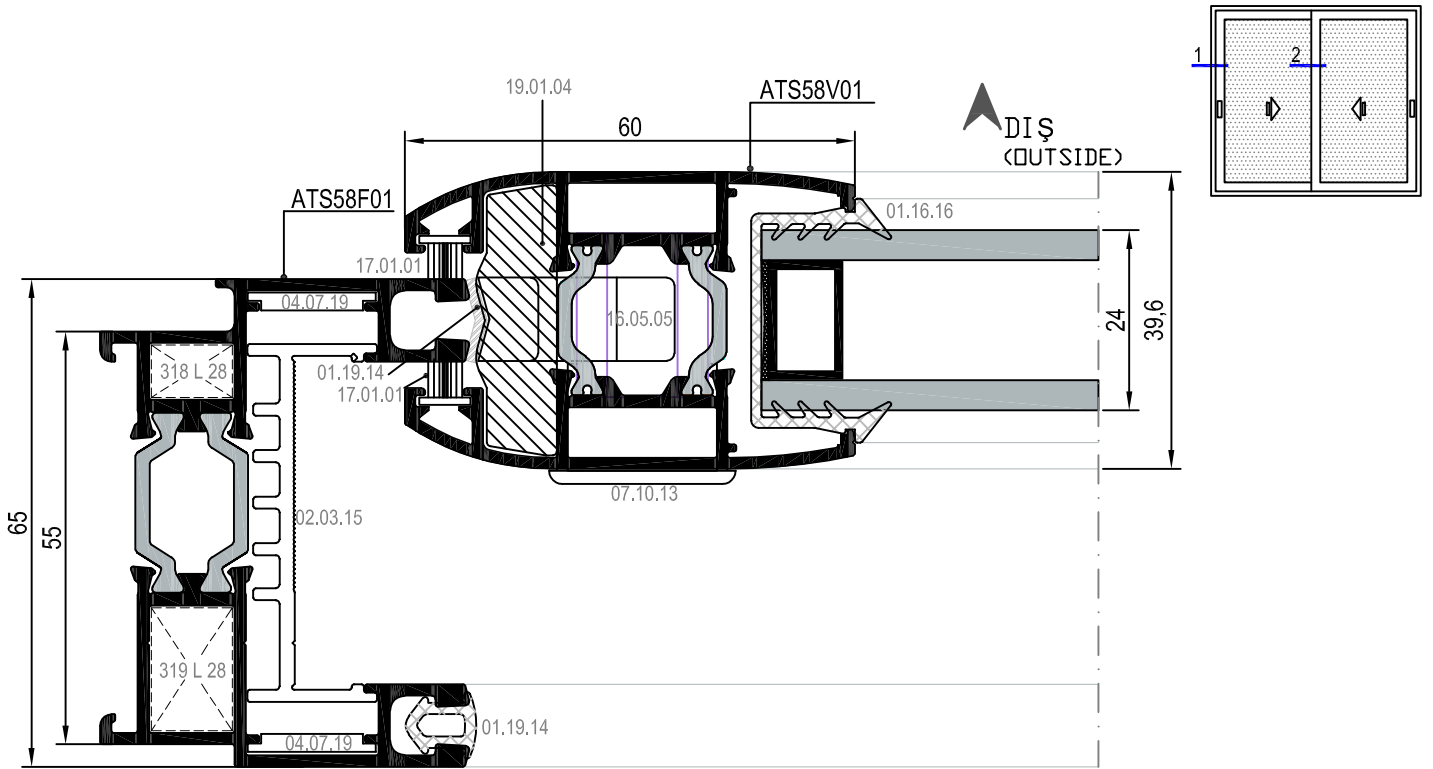
16

17

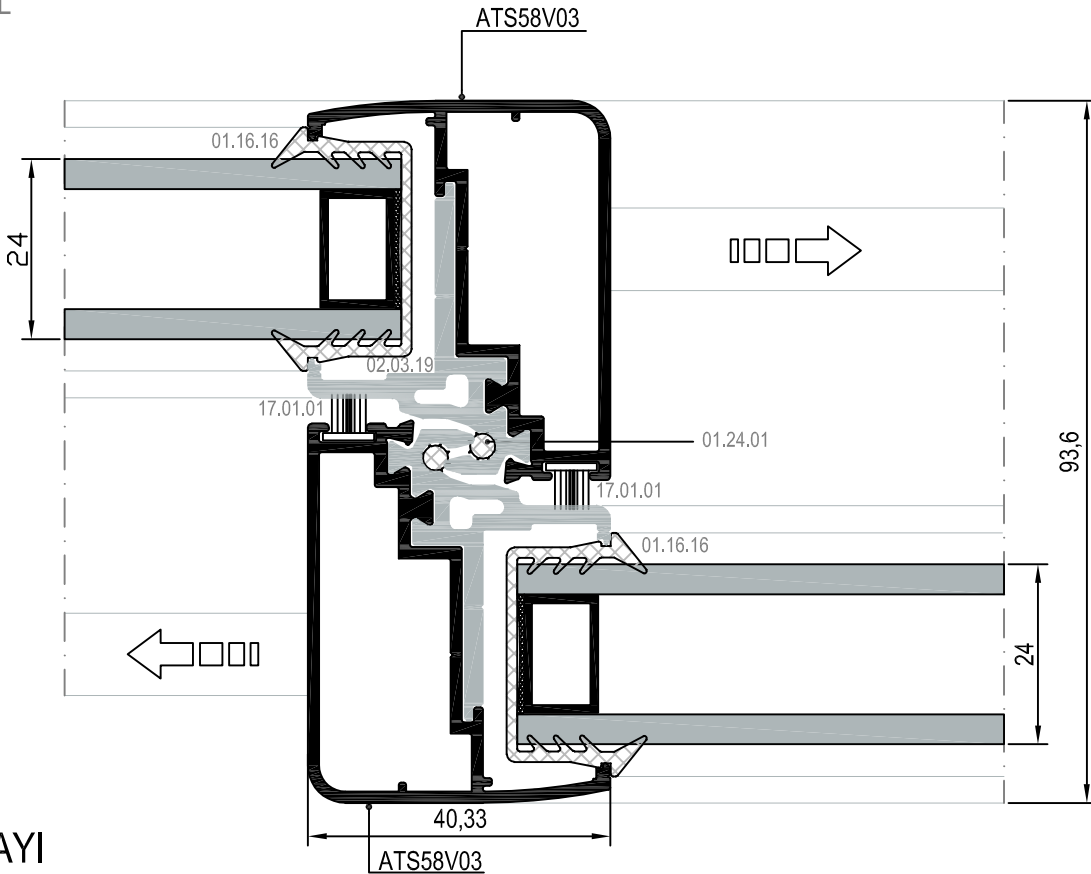
18

19

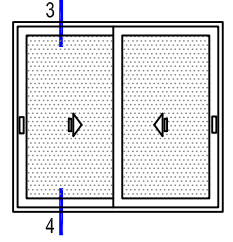
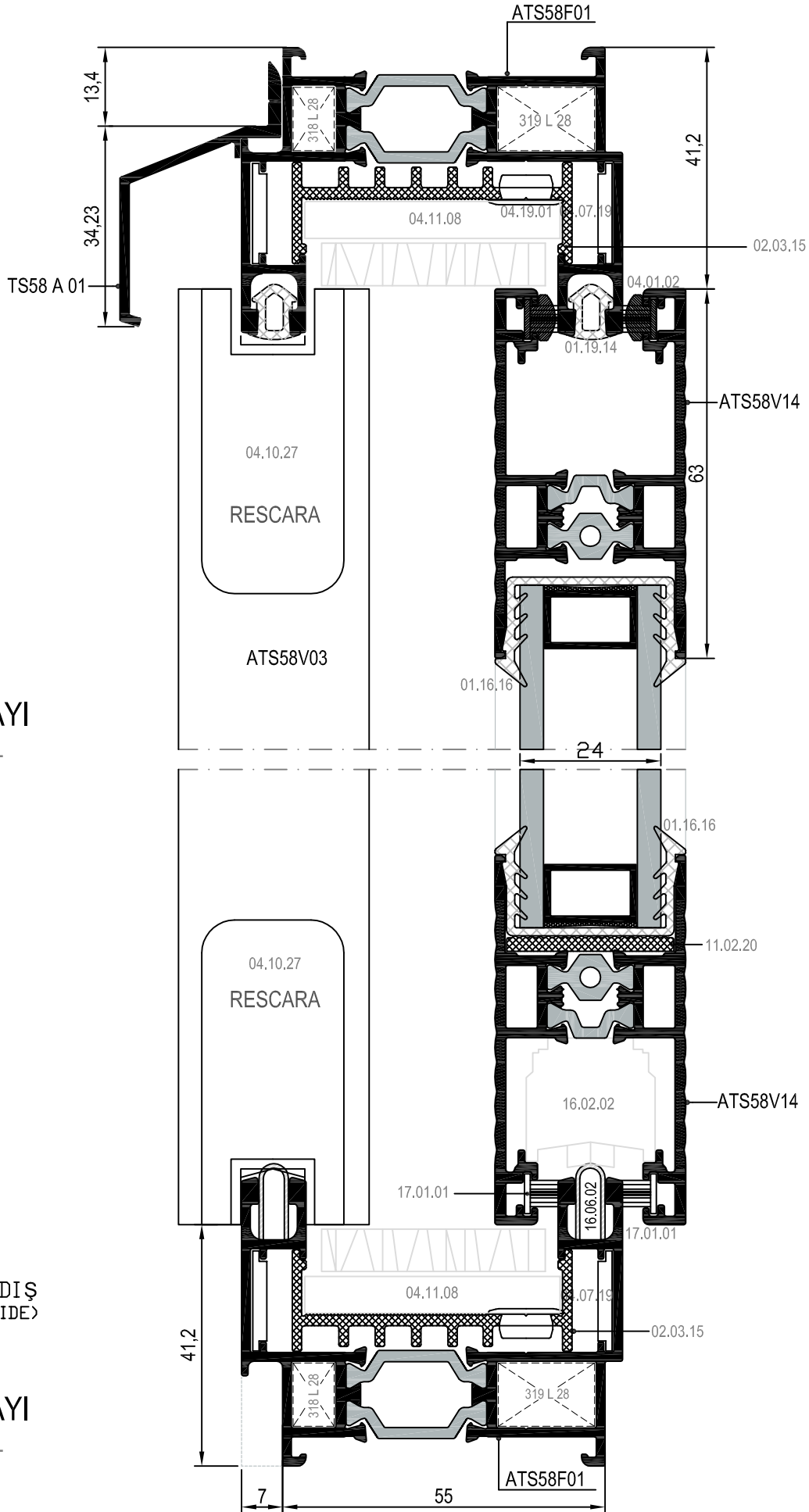
20



① DETAYI
DETAIL



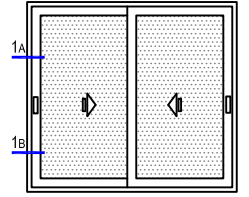
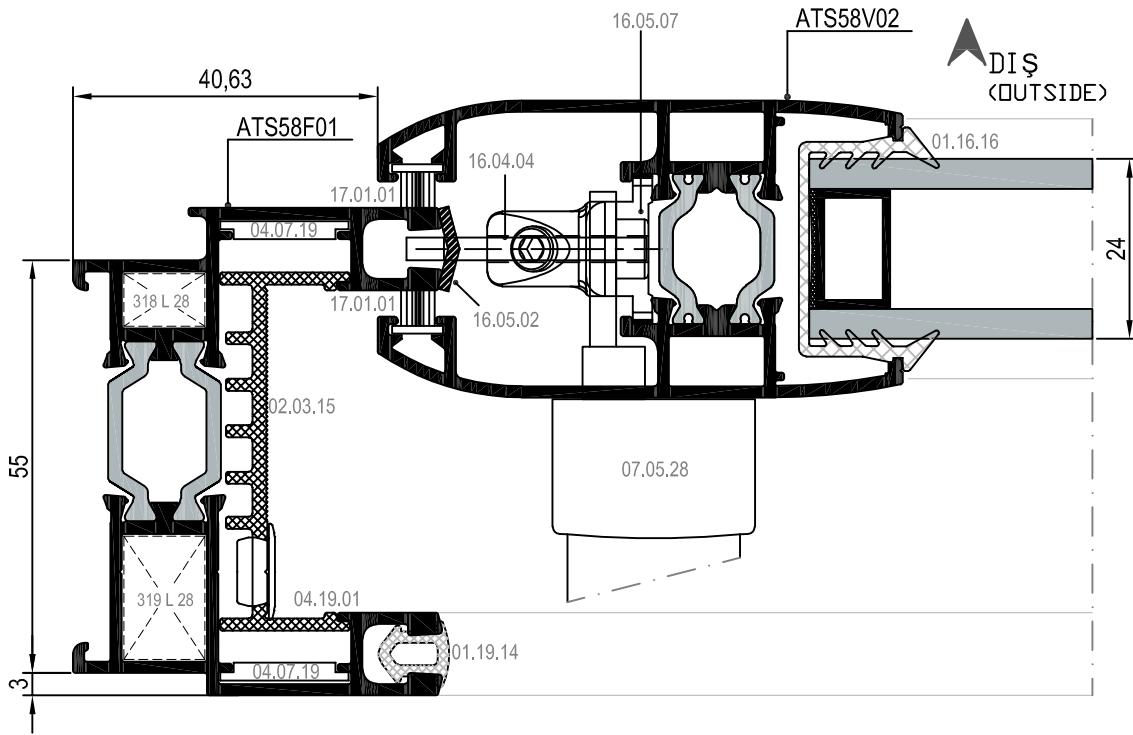
② DETAYI
DETAIL



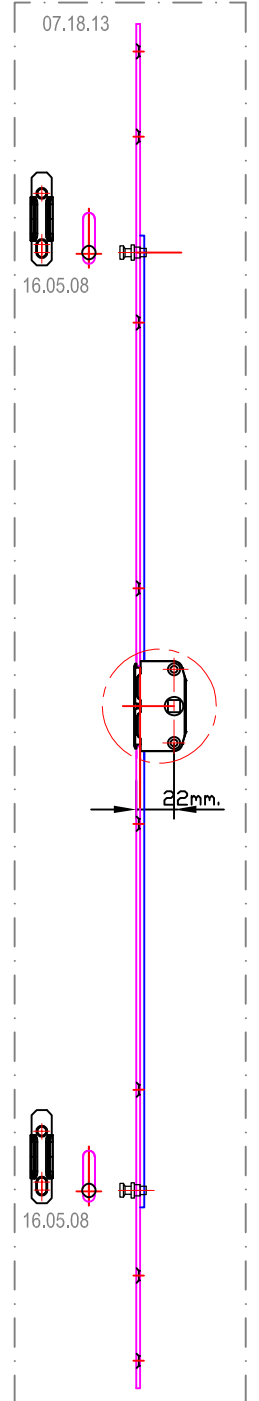
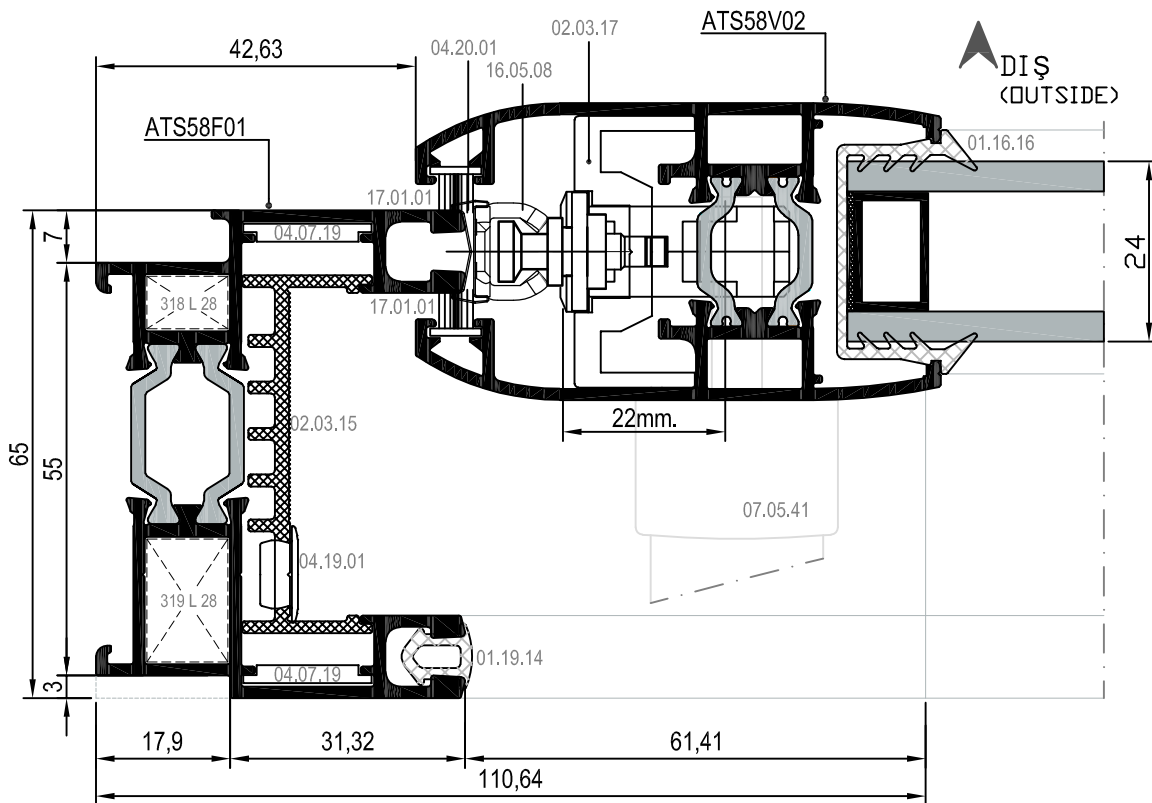
③ DETAYI
DETAIL

DIŞ
(OUTSIDE)

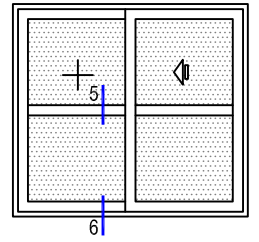
④ DETAYI
DETAIL



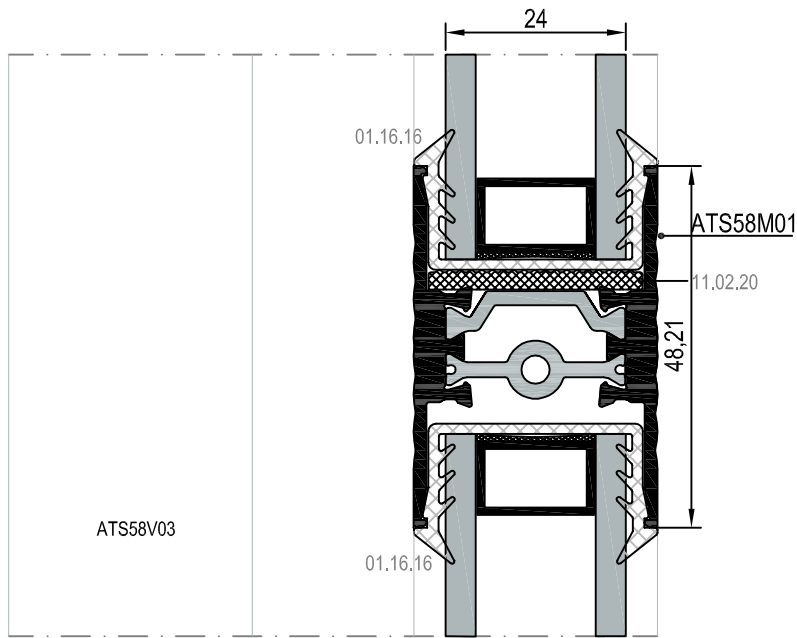
1A
DETAYI
DETAIL



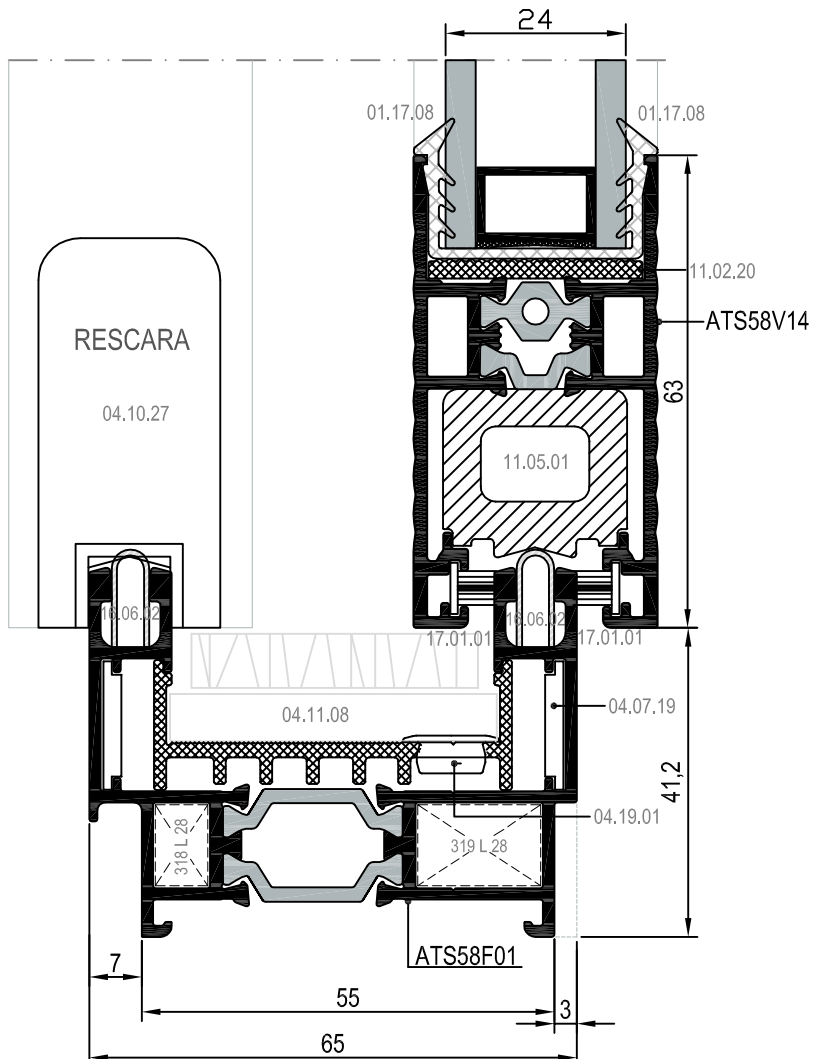
1B
DETAYI
DETAIL

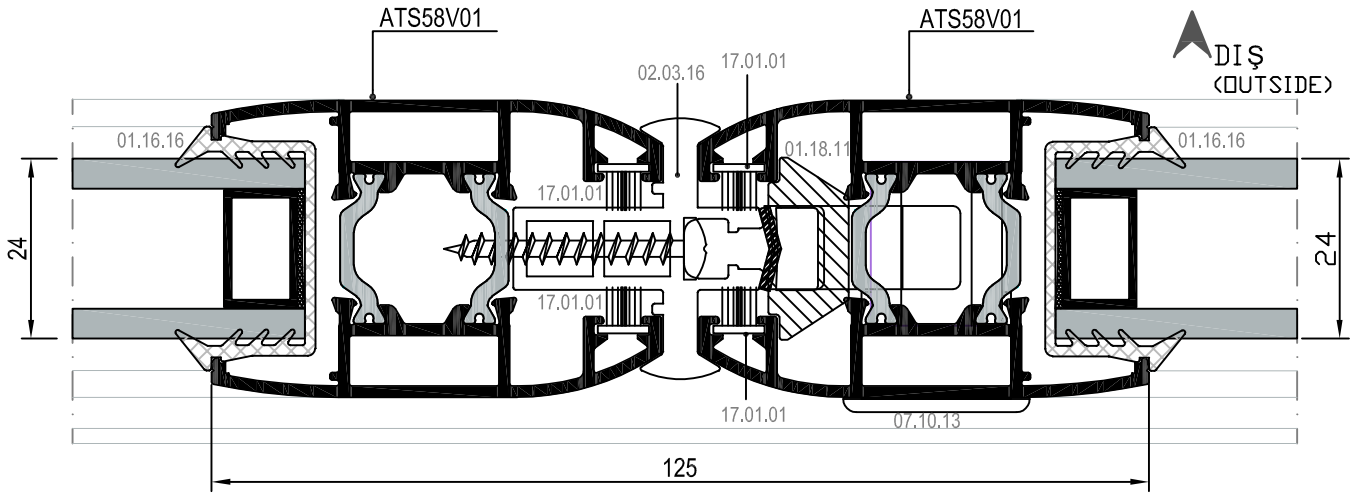
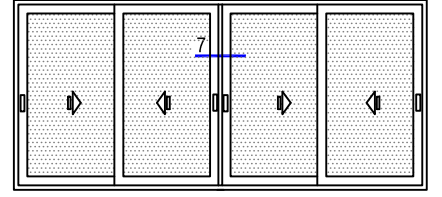


⑤ DETAYI
DETAIL

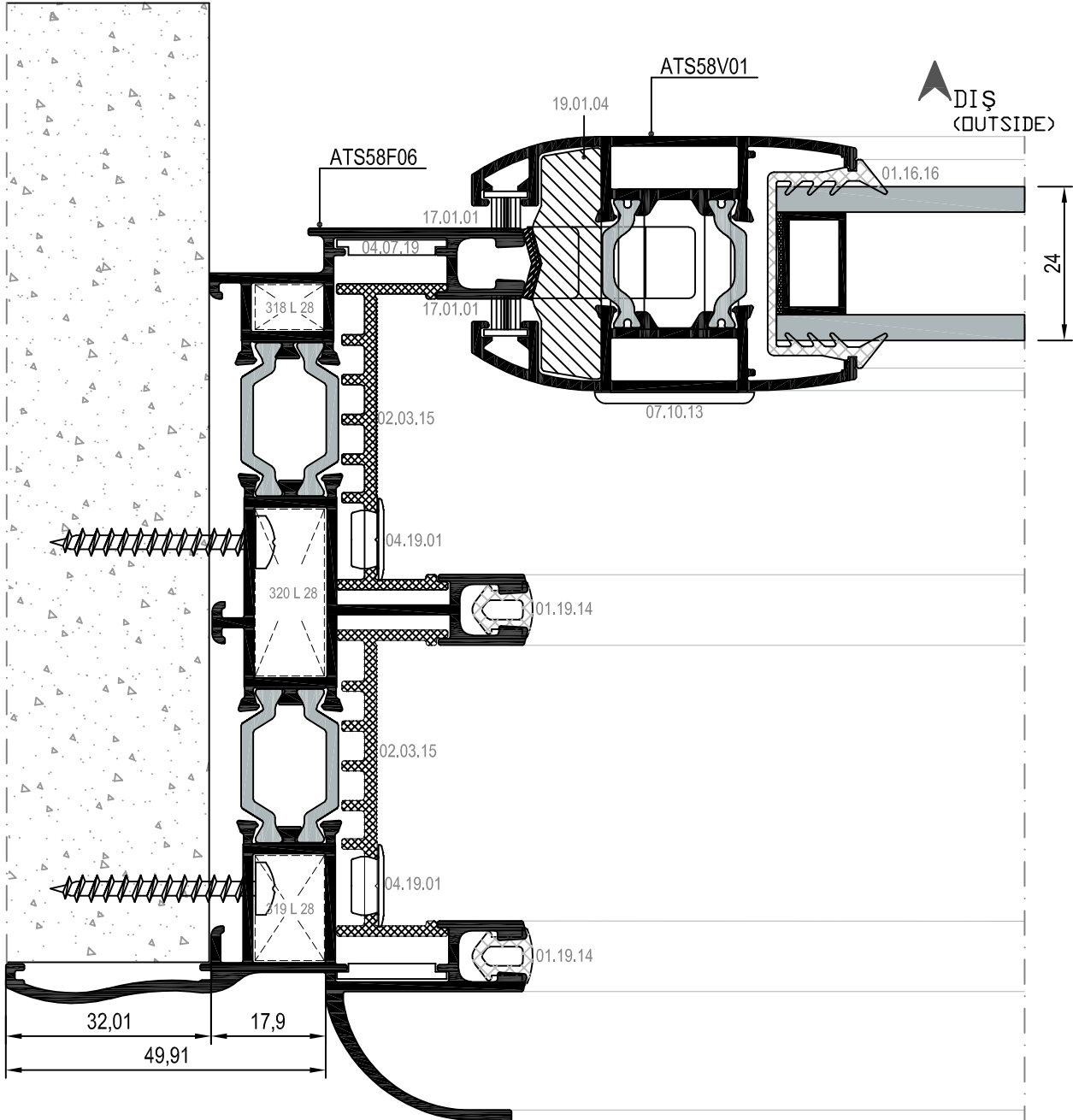
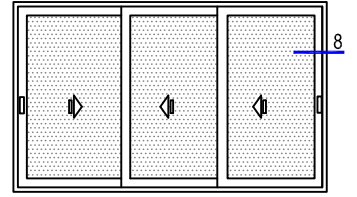


⑥ DETAYI
DETAIL

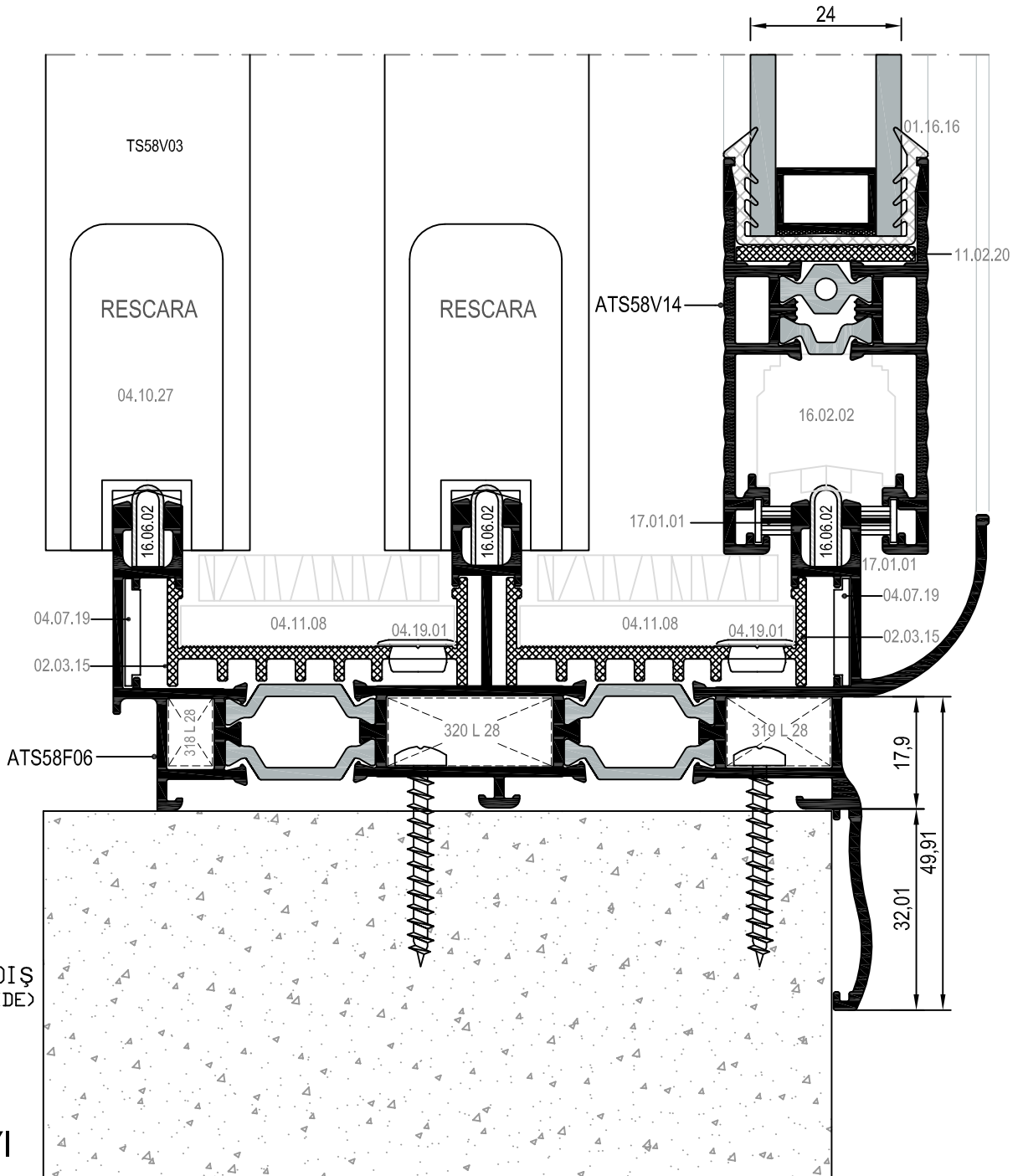
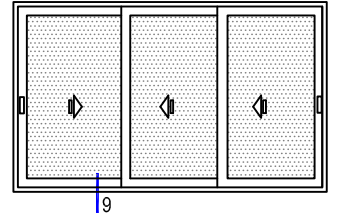


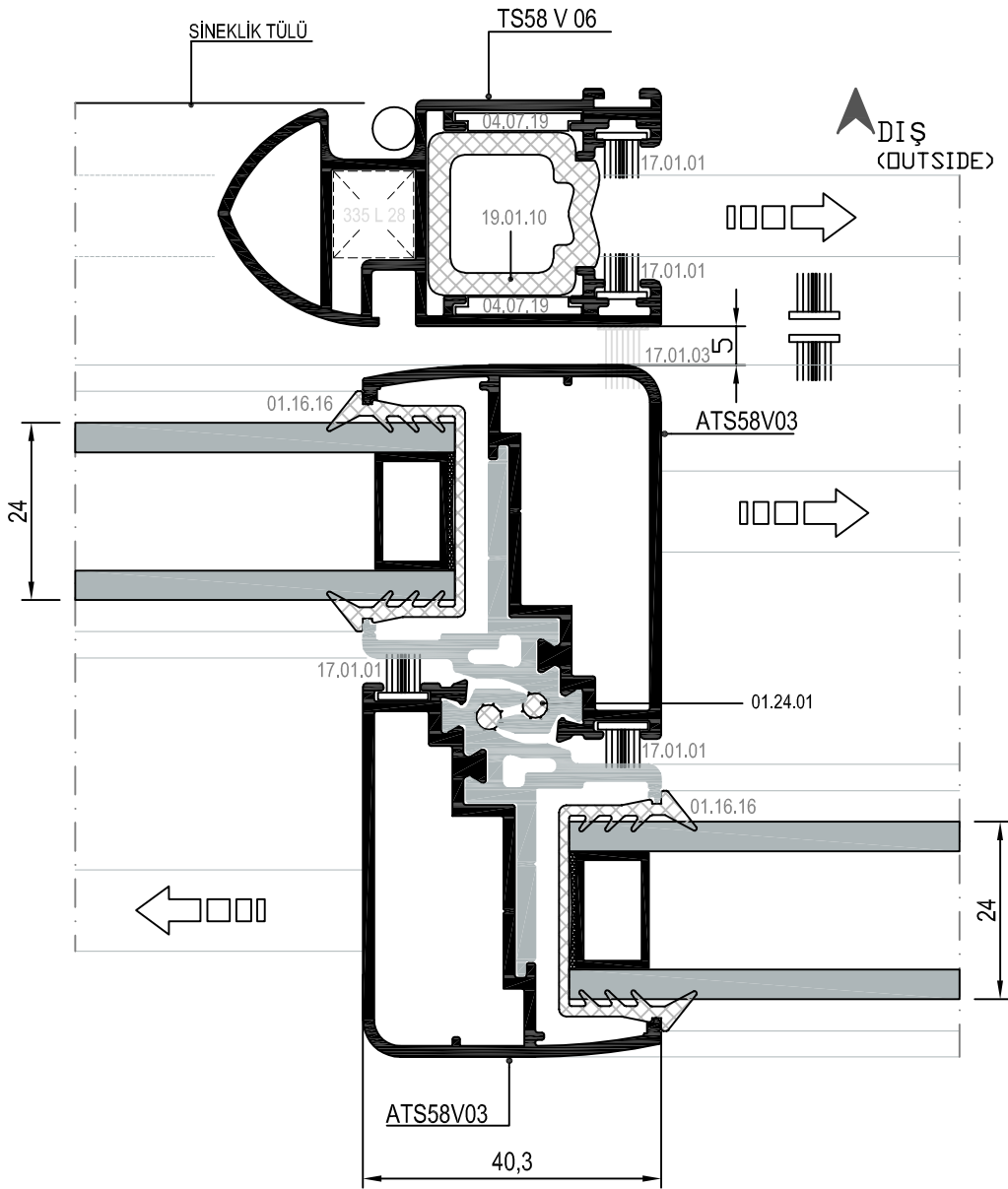
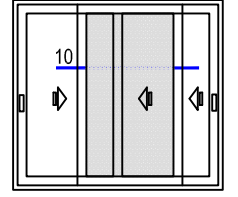


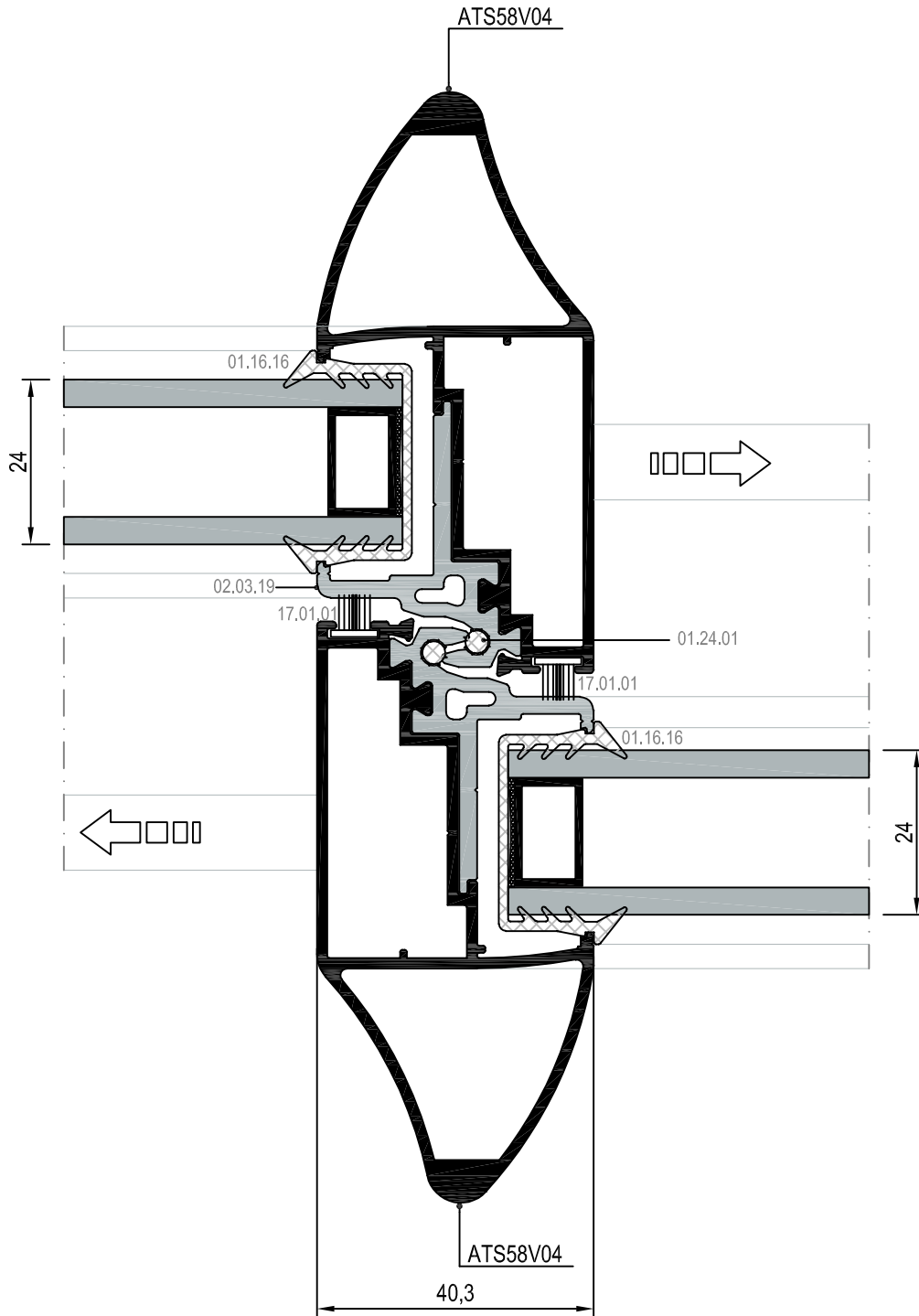
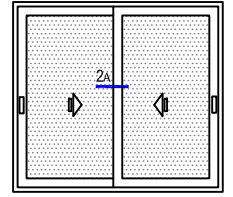
⑦ DETAYI
DETAIL

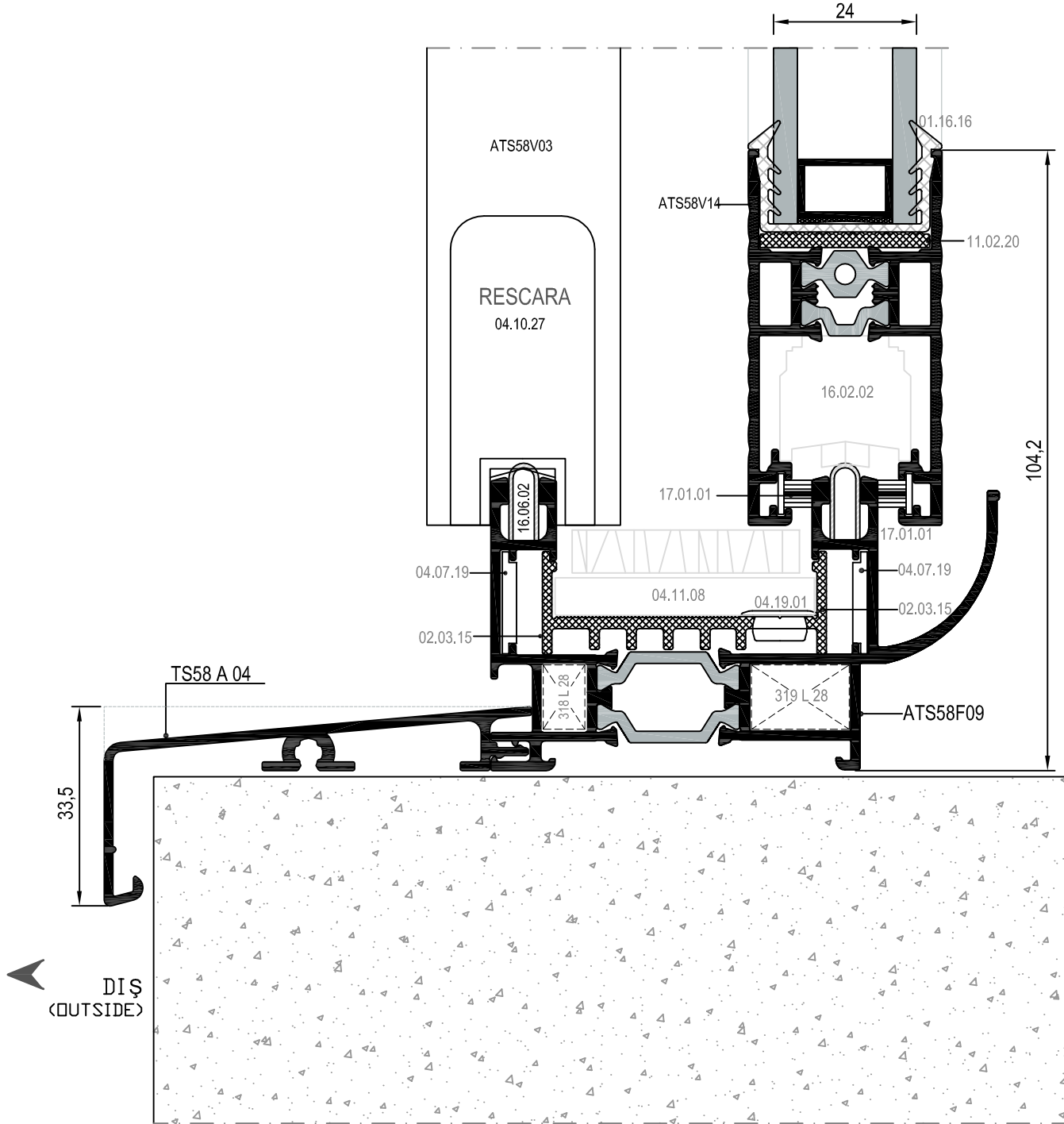
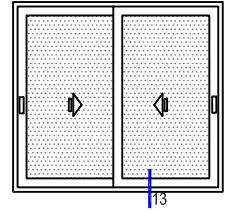


⑧ DETAYI
DETAIL

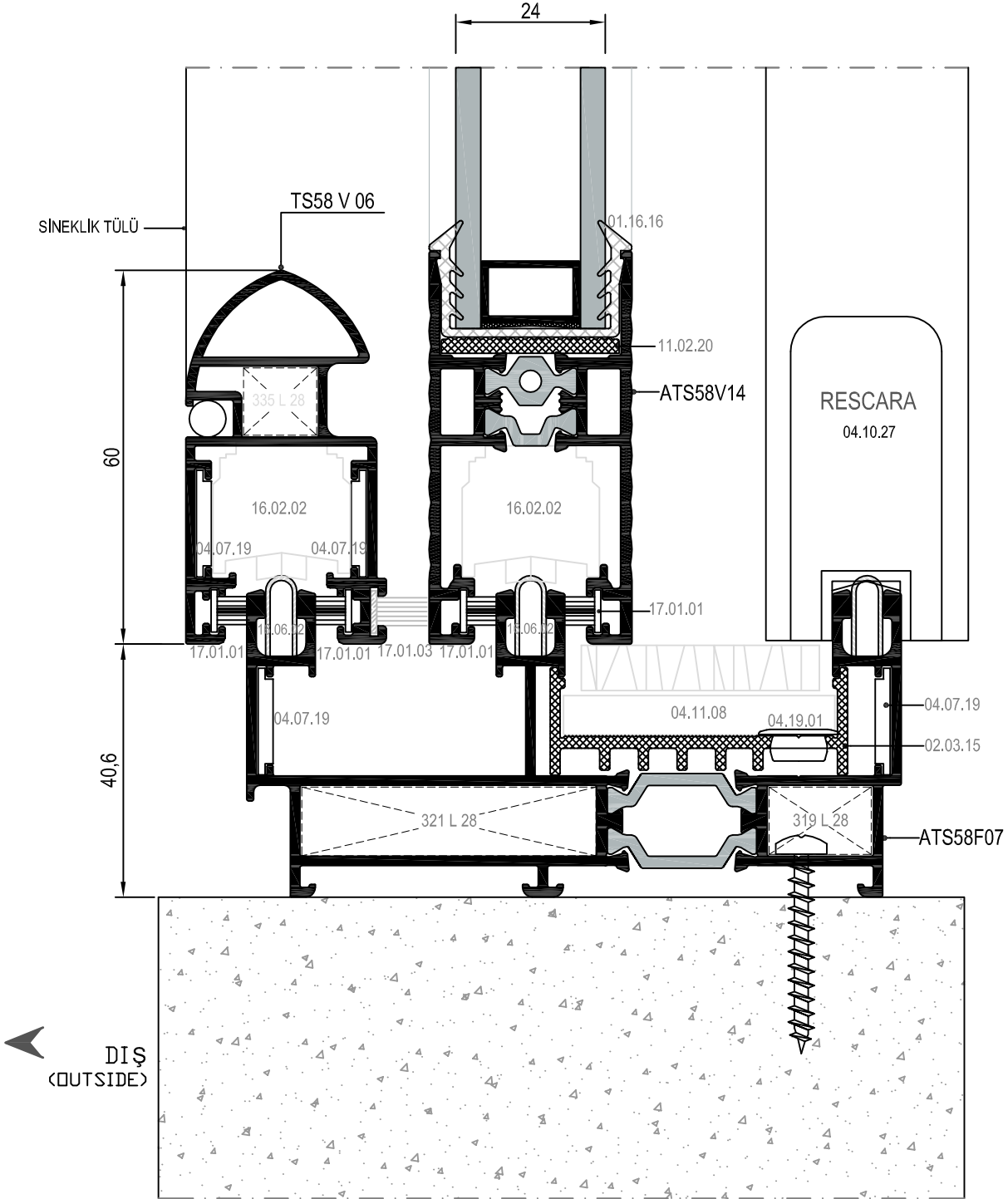
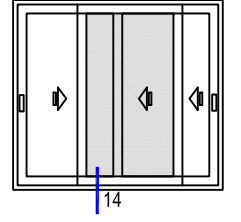


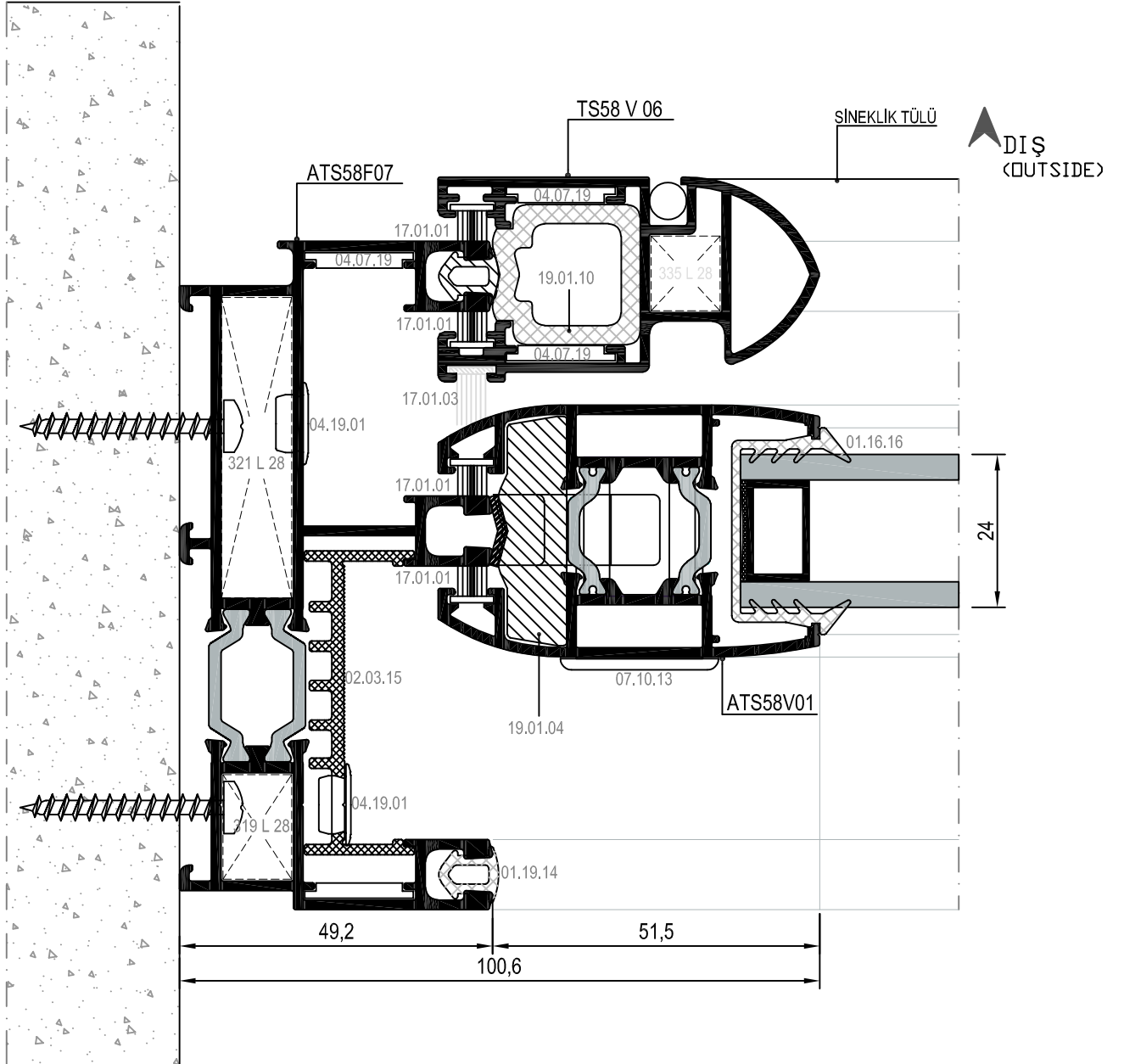
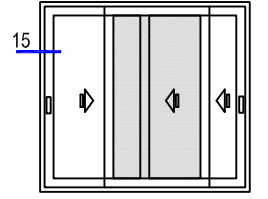


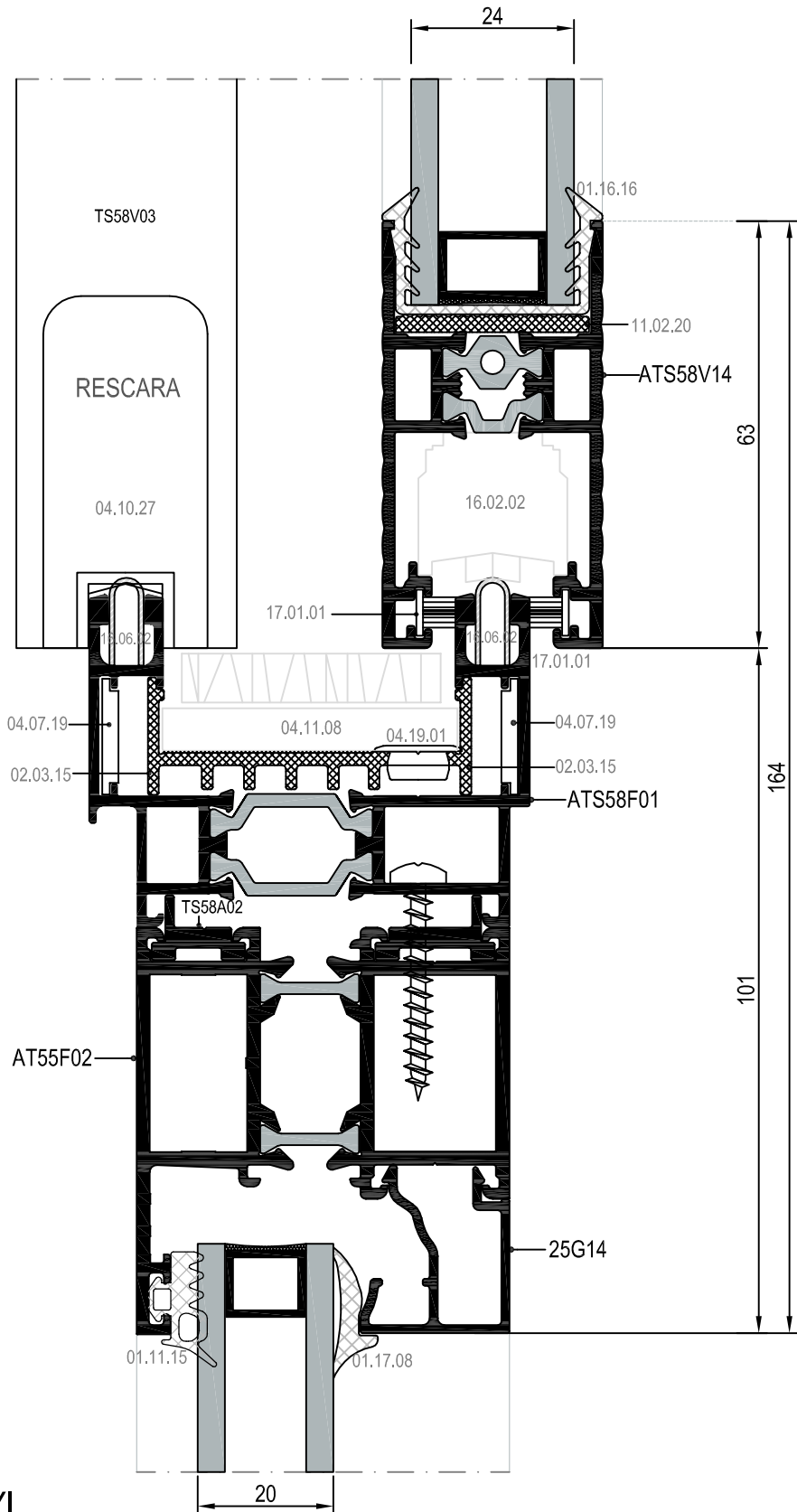
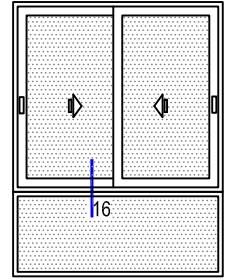


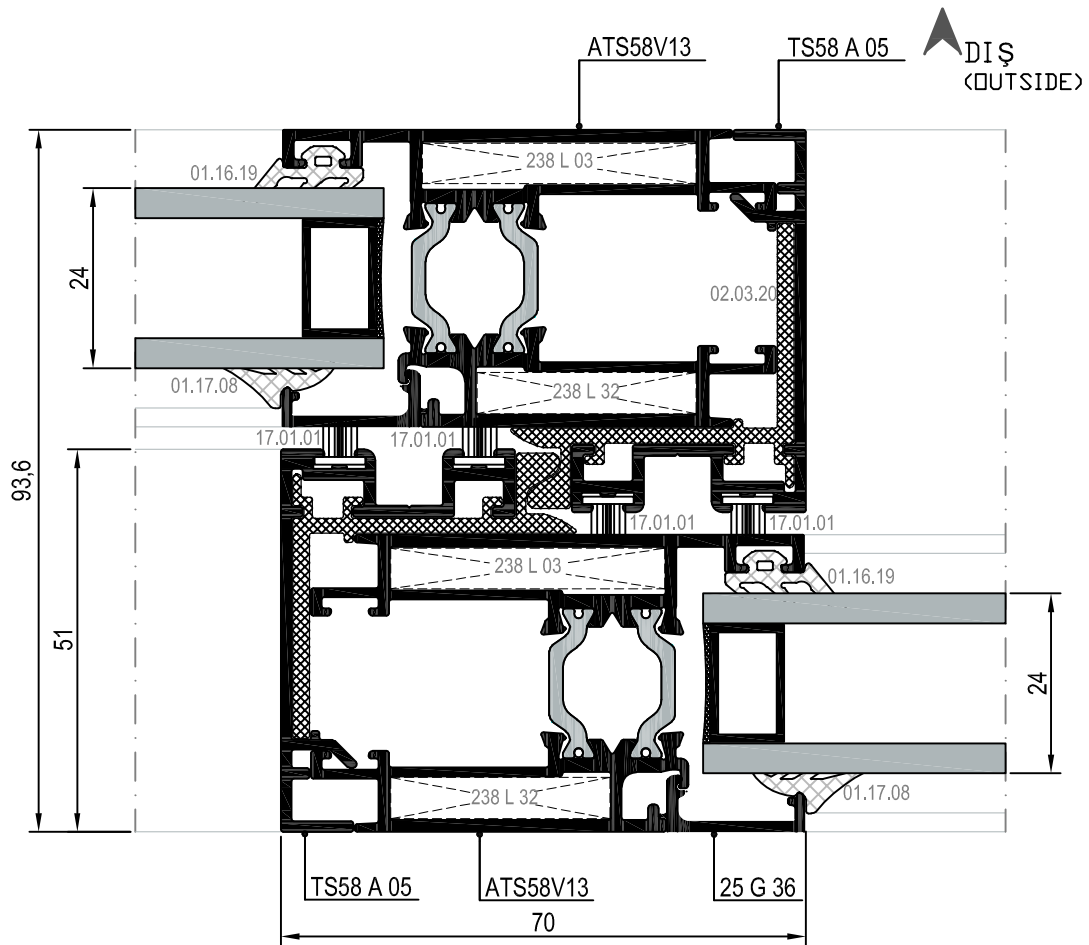
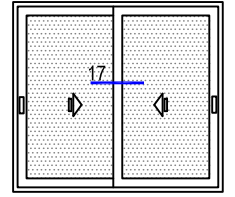


13 DETAYI
DETAIL

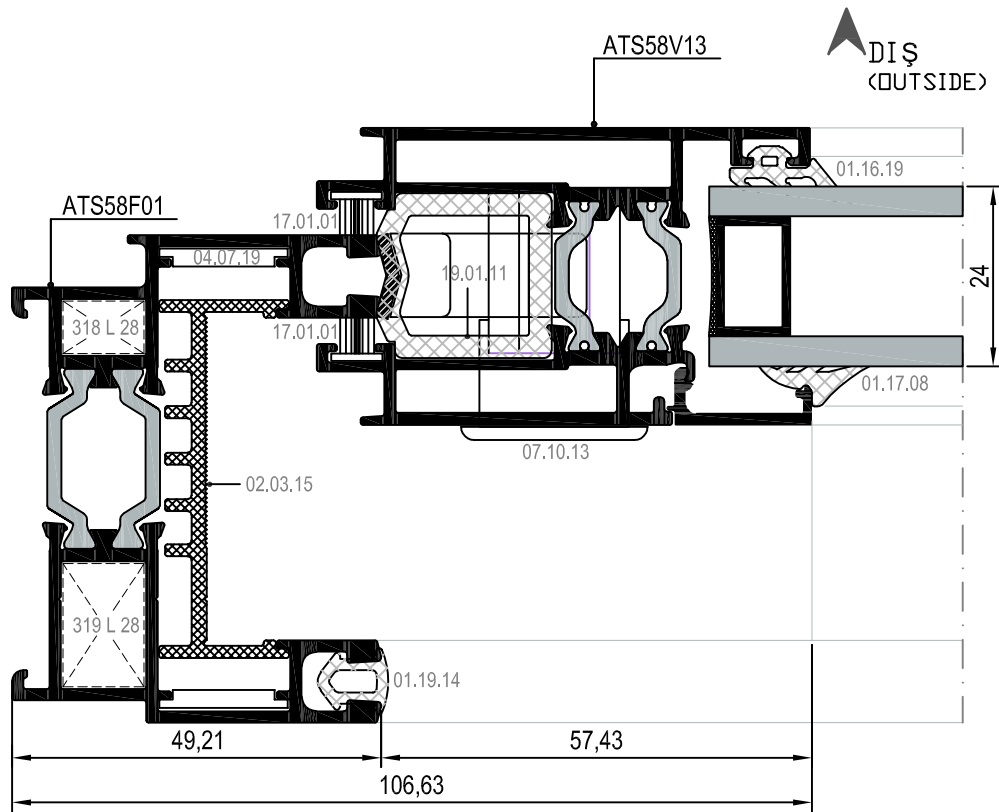
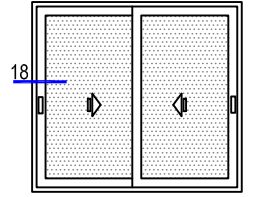


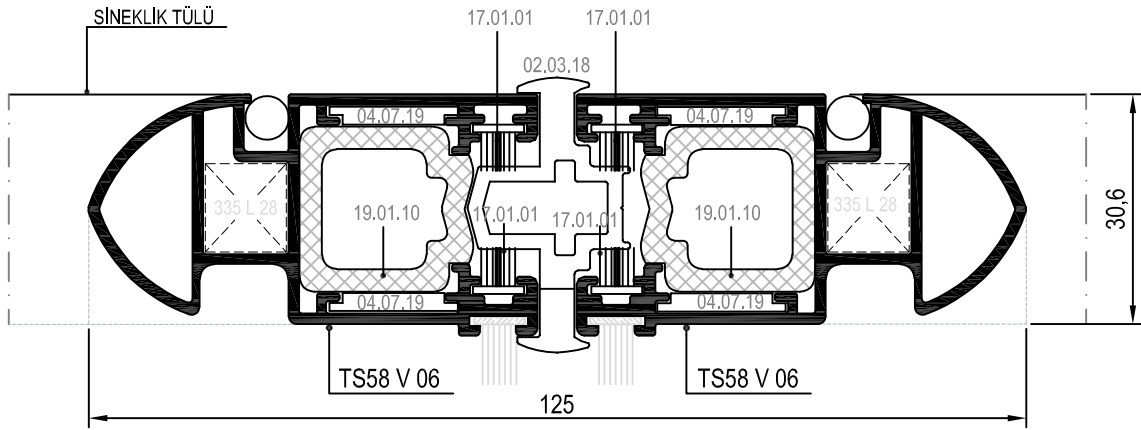
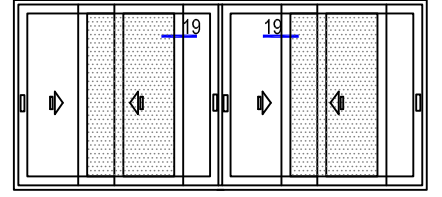


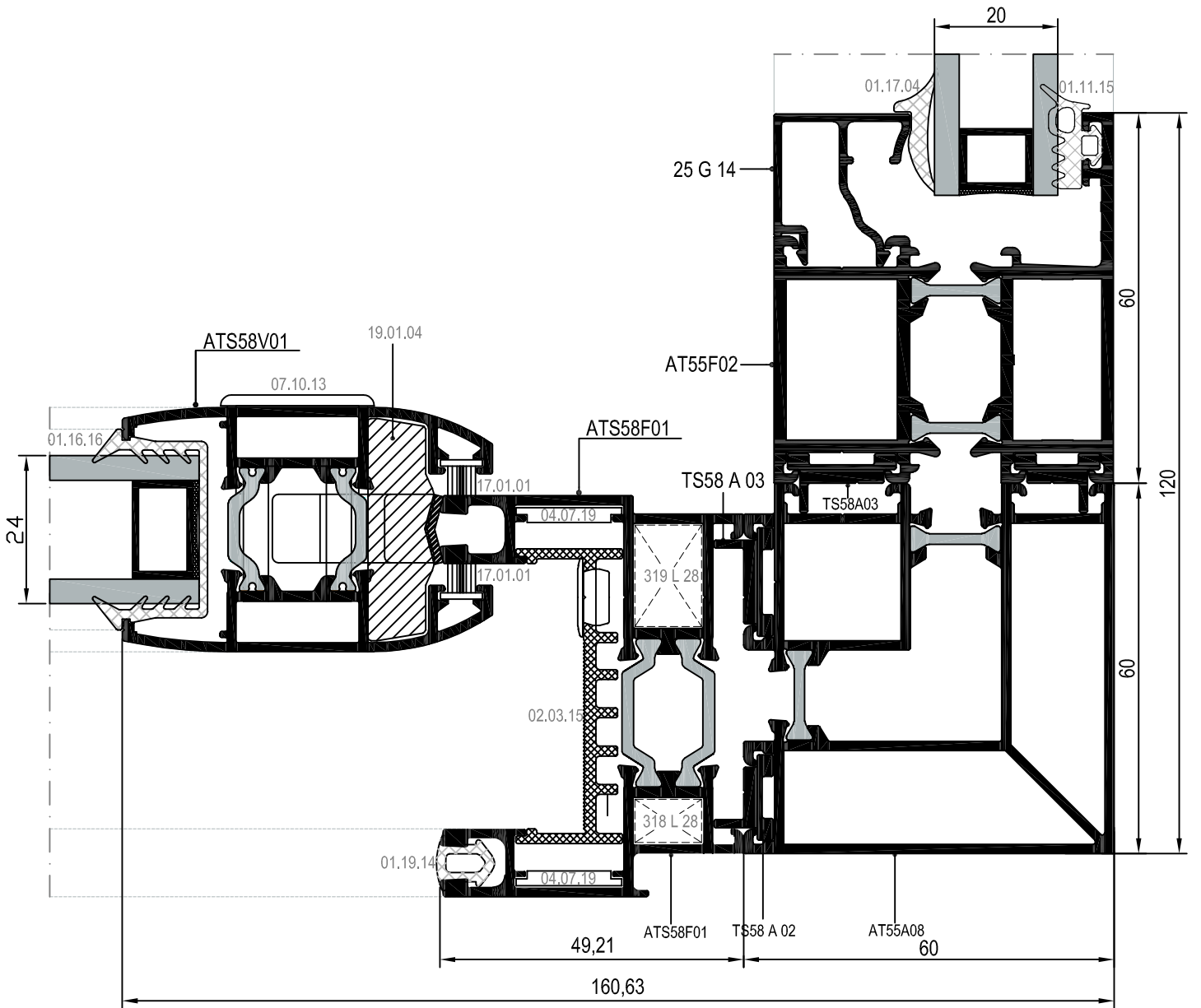
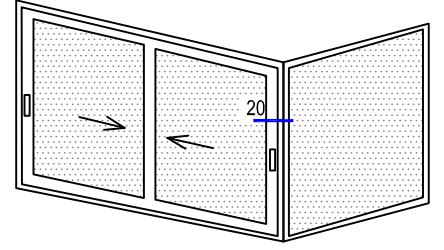




17 DETAYI
DETAIL







20 DETAYI
DETAIL

DIŞ
(OUTSIDE)

MİMARİ KATALOG

ARCHITECTURAL CATALOGUE

Alüminyum Kapı Pencere ve Giydirme Cephe Sistemleri
Aluminium Window Doors and Facade Systems



Rescara Sistem Detayları
Rescara System Details

RST58

AKSESUARLAR

ACCESSORIES

11

12

13

14

15


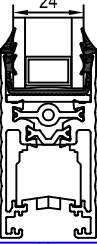



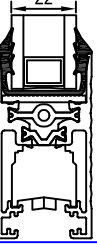

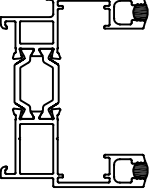





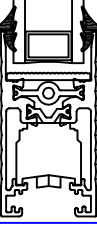
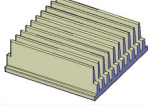
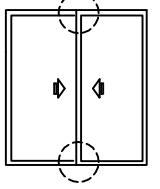

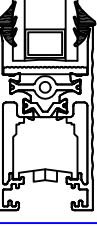



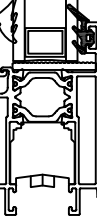
16

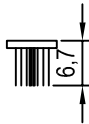
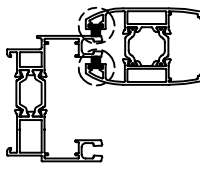

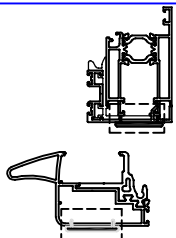
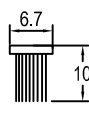
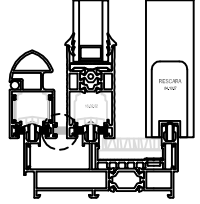
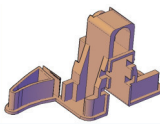
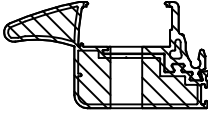
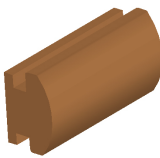
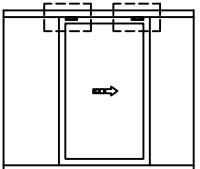
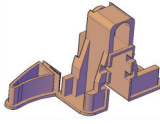
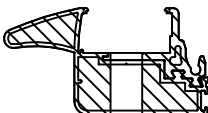

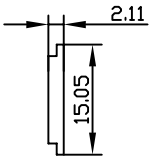
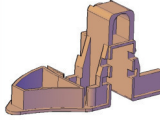
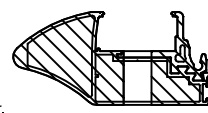

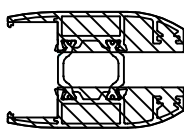
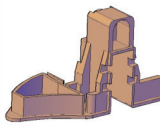
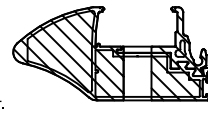
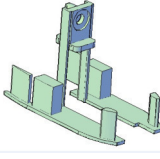
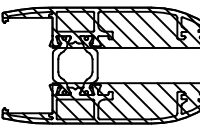
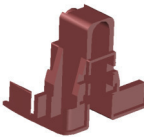
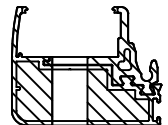
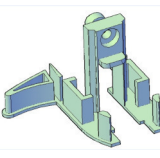
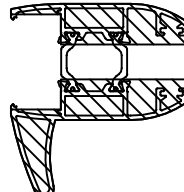
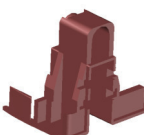
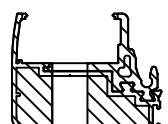
17


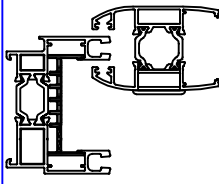

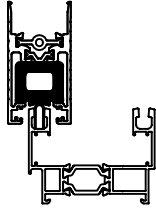
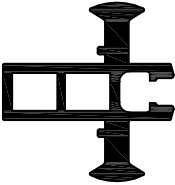
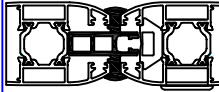

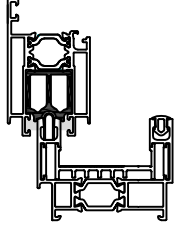

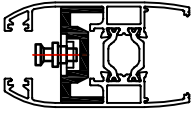

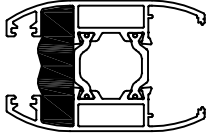
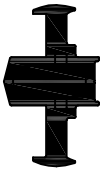
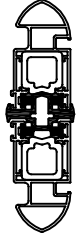
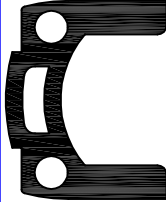
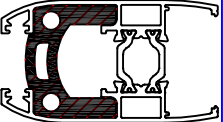

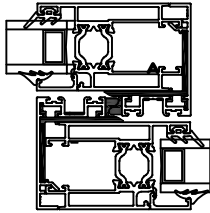
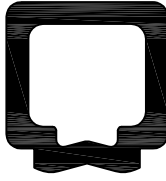
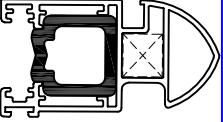

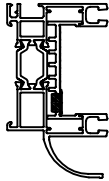

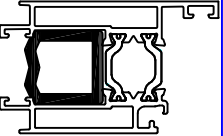
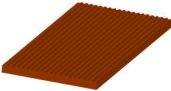
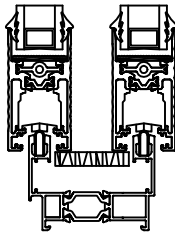
18

19

20

	<p>01.16.16 U TİPİ CAM FİTİLİ GLAZING GASKET Malzeme / Material : EPDM Ağırlık / Weight : 156 gr/m Paket / Package: 96 m / 15 kg</p>			<p>01.18.11 ORTA BASMA FİTİLİ CENTRAL GASKET Malzeme / Material : EPDM Ağırlık / Weight : 208 gr/m Paket / Package: 72 m / 15 kg</p>	
	<p>01.16.17 U TİPİ CAM FİTİLİ GLAZING GASKET Malzeme / Material : EPDM Ağırlık / Weight : 200 gr/m Paket / Package: 75 m / 15 kg</p>			<p>01.19.14 RAY FİTİLİ RAIL COVER GASKET Malzeme / Material : EPDM Ağırlık / Weight : 52 gr/m Paket / Package: 288 m / 15 kg</p>	
	<p>01.16.18 U TİPİ CAM FİTİLİ GLAZING GASKET Malzeme / Material : EPDM Ağırlık / Weight : 230 gr/m Paket / Package: 65 m / 15 kg</p>			<p>01.24.01 KENET FİTİLİ CONNECTION GASKET Malzeme / Material : EPDM Ağırlık / Weight : 10 gr/m Paket / Package: 1500 m / 15 kg</p>	
 <p>2,5mm.</p>	<p>01.17.08 KAMA TİPİ CAM FİTİLİ GLAZING GASKET Malzeme / Material : EPDM Ağırlık / Weight : 51 gr/m Paket / Package: 294 m / 15 kg</p>			<p>04.11.08 SIZDIRMAZLIK PARÇASI SEALING PART Malzeme / Material : EPDM</p>	
 <p>3,5mm.</p>	<p>01.17.22 KAMA TİPİ CAM FİTİLİ GLAZING GASKET Malzeme / Material : EPDM Ağırlık / Weight : 50 gr/m Paket / Package: 300 m / 15 kg</p>				
 <p>4,5mm.</p>	<p>01.17.23 KAMA TİPİ CAM FİTİLİ GLAZING GASKET Malzeme / Material : EPDM Ağırlık / Weight : 60 gr/m Paket / Package: 92 m / 15 kg</p>				
 <p>2,8mm.</p>	<p>01.16.19 DİŞ CAM FİTİLİ GLAZING GASKET Malzeme / Material : EPDM Ağırlık / Weight : 68 gr/m Paket / Package: 220 m / 15 kg</p>				

	<p>17.01.01</p> <p>KIL FITİL 670x700 BRUSH 670x700</p> <p>Malzeme / Material Polipropilen / Polypropylene Paket / Package : 275 mt</p>			<p>04.10.27</p> <p>KANAT KAPAĞI CAP FOR VENT</p> <p>Malzeme / Material : PVC (ATS58V03-ATS58V04-ATS58V07-ATS58V13 için)</p>	
	<p>17.01.03</p> <p>KIL FITİL 670x1000 BRUSH 670x1000</p> <p>Malzeme / Material Polipropilen / Polypropylene</p>			<p>04.10.28A</p> <p>PVC KAPAK PVC CAP</p> <p>Malzeme / Material : PVC (alt & üst takım / bottom & top set) (ATS58V07 için / for ATS58V07) 04.10.28A ve 04.10.28B birlikte kullanılacaktır. 04.10.28A and 04.10.28B will be used together.</p>	
	<p>04.01.02</p> <p>KANAT SABİTLEYİCİ FIXED VENT</p> <p>Malzeme / Material : PVC (15 mm)</p>			<p>04.10.28B</p> <p>PVC KAPAK PVC CAP</p> <p>Malzeme / Material : PVC (alt & üst takım / bottom & top set) (ATS58V07 için / for ATS58V07) 04.10.28A ve 04.10.28B birlikte kullanılacaktır. 04.10.28A and 04.10.28B will be used together.</p>	
	<p>04.07.19</p> <p>KÖŞE ÇAVUŞU CORNER CLEAT</p> <p>Malzeme / Material : PVC</p>			<p>04.10.29A</p> <p>PVC KAPAK PVC CAP</p> <p>Malzeme / Material : PVC (alt & üst takım / bottom & top set) (ATS58V04 için / for ATS58V04) 04.10.29A ve 04.10.29B birlikte kullanılacaktır. 04.10.29A and 04.10.29B will be used together.</p>	
	<p>04.10.24</p> <p>PVC KAPAK PVC CAP</p> <p>Malzeme / Material : PVC (alt & üst takım - 2 adet / bottom & top set - 2 pieces) (ATS58V01 için / for ATS58V01)</p>			<p>04.10.29B</p> <p>PVC KAPAK PVC CAP</p> <p>Malzeme / Material : PVC (alt & üst takım / bottom & top set) (ATS58V04 için / for ATS58V04) 04.10.29A ve 04.10.29B birlikte kullanılacaktır. 04.10.29A and 04.10.29B will be used together.</p>	
	<p>04.10.25</p> <p>PVC KAPAK PVC CAP</p> <p>Malzeme / Material : PVC (alt & üst takım - 2 adet / bottom & top set - 2 pieces) (ATS58V02 için / for ATS58V02)</p>			<p>04.10.30A</p> <p>PVC KAPAK PVC CAP</p> <p>Malzeme / Material : PVC (alt & üst takım / bottom & top set) (ATS58V03 için / for ATS58V03) 04.10.30A ve 04.10.30B birlikte kullanılacaktır. 04.10.30A and 04.10.30B will be used together.</p>	
	<p>04.10.26A - 26B</p> <p>PVC KAPAK PVC CAP</p> <p>Malzeme / Material : PVC (alt & üst takım / bottom & top set) (ATS58V08 için / for ATS58V08)</p>			<p>04.10.30B</p> <p>PVC KAPAK PVC CAP</p> <p>Malzeme / Material : PVC (alt & üst takım / bottom & top set) (ATS58V03 için / for ATS58V03) 04.10.30A ve 04.10.30B birlikte kullanılacaktır. 04.10.30A and 04.10.30B will be used together.</p>	

	02.03.15 PVC YALITIM ADAPTÖRÜ PVC ADAPTER FOR INSULATION Malzeme / Material : PVC Paket / Package : 6 mt			11.05.01 KANAT SABİTLEME TAKOZU WENT FIXING PART Malzeme / Material : PVC	
	02.03.16 ORTA BİRLESİM ADAPTÖRÜ ADAPTER FOR MIDDLE CONNECTION Malzeme / Material : PVC			11.05.05 KANAT SABİTLEME TAKOZU WENT FIXING PART Malzeme / Material : PVC (ATS58V13 için / for ATS58V13)	
	02.03.17 TİJLİ KİLİT ADAPTÖRÜ ROD LOCKING SYSTEM ADAPTER Malzeme / Material : Pvc (120 mm)			19.01.04 STOPER STOPER Malzeme / Material : EPDM (ATS58V01 için / for ATS58V01)	
	02.03.18 SİNEKLİK ADAPTÖRÜ INSECT SCREEN ADAPTER Malzeme / Material : Pvc			19.01.06 STOPER STOPER Malzeme / Material : EPDM (ATS58V02 için / for ATS58V02)	
	02.03.20 ORTA KENET ADAPTÖRÜ MIDDLE CLAMPING ADAPTER Malzeme / Material : Sert Pvc / Hard Pvc			19.01.10 STOPER STOPER Malzeme / Material : EPDM (ATS58V06 için / for ATS58V06)	
	04.19.01 PVC TAPA PVC PLUG Malzeme / Material : PVC			19.01.11 STOPER STOPER Malzeme / Material : EPDM (ATS58V13 için / for ATS58V13)	
	11.02.20 CAM TAKOZU GLASS SUPPORT Malzeme / Material : PVC				



07.05.28

RESCARA GLOBAL PENCERE KOLU
(TEK DİLL)
RESCARA GLOBAL HANDLE FOR WINDOWS
(SINGLE RAIL)
Renk / Colour : Siyah-Beyaz-Gri / Black-White-Grey

EN 1670



07.05.25

GIESSE İSPANYOLET KOL (ÇİFT DİLL)
GIESSE HANDLE FOR WINDOWS (DOUBLE RAIL)
Renk / Colour : Siyah-Beyaz-Gri / Black-White-Grey

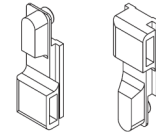
UNI CEI EN ISO / IEC 17050



07.05.32

RESCARA PENCERE KOLU (ÇİFT DİLL)
RESCARA GLOBAL HANDLE FOR WINDOWS (DOUBLE RAIL)
Renk / Colour : Siyah-Beyaz-Gri / Black-White-Grey

EN 1670, 13126-8



07.25.01

GIESSE TİJ BAĞLANTI PARÇASI
GIESSE CONNECTION ROD
Renk / Colour : Siyah / Black
Malzeme / Material : Polyamid / Polyamide

07.05.25 Kol için / For Handle 07.05.25



07.13.08

RESCARA KOL BAĞLANTI PARÇASI
RESCARA CONNECTION PART FOR HANDLE
Malzeme / Material : PVC

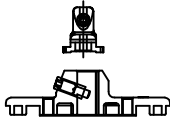
07.05.32 Kol için / For Handle 07.05.32



07.13.07

KOL BAĞLANTI PARÇASI
CONNECTION PART FOR HANDLE
Malzeme / Material : Zarnak / Zarnak

07.05.28 Kol için / For Handles 07.05.28



16.05.07

KİLİT ADAPTÖRÜ
LOCK ADAPTER

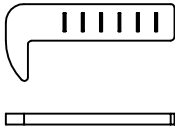
07.05.25, 07.05.28 ve 07.05.32 Kolları için / For Handle 07.05.25, 07.05.28 and 07.05.32



16.05.02

SÜRME KİLİT KARŞILIĞI
STRIKER FOR SLIDING LOCK

07.05.25, 07.05.28 ve 07.05.32 Kolları için / For Handle 07.05.25, 07.05.28 and 07.05.32



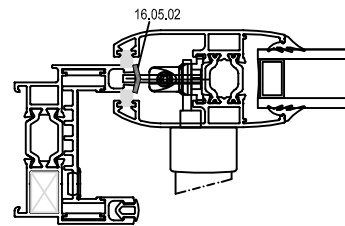
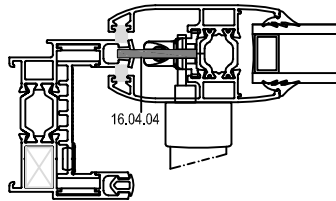
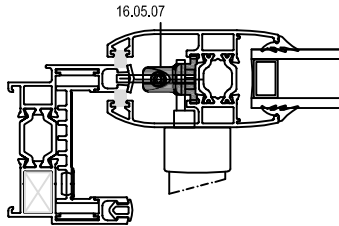
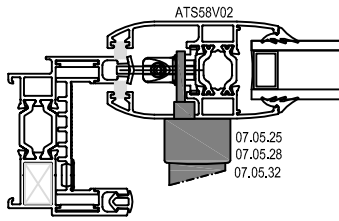
16.04.04

SÜRME DİL
SLIDING BOLT

07.05.25, 07.05.28 ve 07.05.32 Kolları için / For Handle 07.05.25, 07.05.28 and 07.05.32

KOL İLE KİLİTLEME SEÇİM TABLOSU
LOCKING KIT SELECTION TABLE WITH HANDLE

KOD CODE	TANIM DESCRIPTION	ADET NUMBER				KANAT VENT	
		H: 0-1200 mm	H: 1201-1799 mm	H: 1800-2199mm	H: 2200-2500 mm		
RESCARA TEK DİLLİ KOL RESCARA SINGLE RAIL HANDLE	07.05.28	RESCARA GLOBAL PENCERE KOLU RESCARA GLOBAL HANDLE	1	1	1	1	ATS58V02
	07.13.07	KOL BAĞLANTI PARÇASI CONNECTION PART FOR HANDLE	1	1	1	1	
GIESSE ÇİFT DİLLİ KOL GIESSE DOUBLE RAIL HANDLE	07.05.25	GIESSE İSPANYOLET KOL GIESSE HANDLE FOR WINDOWS	1	1	1	1	
	07.25.01	GIESSE TIJ BAĞLANTI PARÇASI GIESSE CONNECTION ROD	1	1	1	1	
RESCARA ÇİFT DİLLİ KOL RESCARA DOUBLE RAIL HANDLE	07.05.32	RESCARA PENCERE KOLU RESCARA GLOBAL HANDLE	1	1	1	1	
	07.13.08	RESCARA KOL BAĞLANTI PARÇASI RESCARA CONNECTION ROD	1	1	1	1	
16.05.07	KİLİT ADAPTÖRÜ LOCK ADAPTÖR	2	3	4	5		
16.04.04	SÜRME DİL SLIDING BOLT	2	3	4	5		
16.05.02	SÜRME KİLİT KARŞILIĞI STRIKER FOR SLIDING LOCK	2	3	4	5		

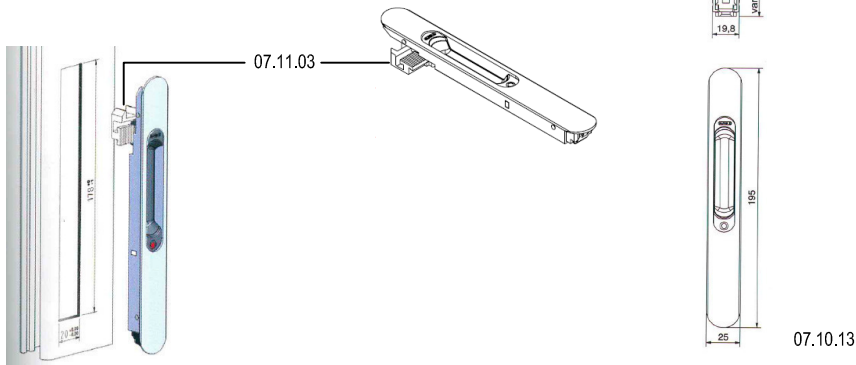
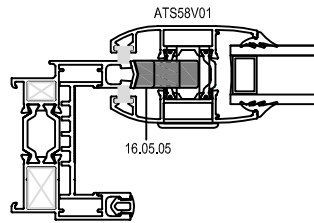
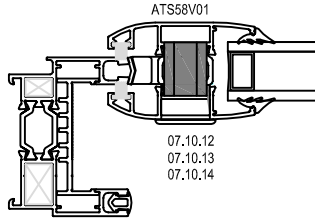


 <p>07.10.12 HAVUZLU KİLİT ANAHTARLI SLIDING LOCK WITH KEY Malzeme / Material : Alüminyum- Zamak Aluminium- Zamak</p>	 <p>07.10.13 HAVUZLU KİLİT SLIDING LOCK Malzeme / Material : Alüminyum- Zamak Aluminium- Zamak</p>
 <p>07.10.14 ÇİFTLİ HAVUZLU KİLİT ANAHTARLI DOUBLE SLIDING LOCK WITH KEY Malzeme / Material : Alüminyum- Zamak Aluminium- Zamak</p>	 <p>07.10.09 HAVUZ KOL SLIDING HANDLE Malzeme / Material : Alüminyum Aluminium</p>
 <p>07.11.03 KOL ÜSTÜ KARŞILIK STRIKER FOR HANDLE</p>	 <p>16.05.05 SÜRME KİLİT ADAPTÖRÜ LOCK ADAPTER</p>
<p>07.10.12 , 07.10.13 , 07.10.14 Sürme Kilit İçin / For Handle 07.10.12 , 07.10.13 , 07.10.14</p>	<p>07.10.12 , 07.10.13 , 07.10.14 Sürme Kilit İçin / For Handle 07.10.12 , 07.10.13 , 07.10.14</p>

HAVUZLU KOL İLE KİLİTLEME SEÇİM TABLOSU

LOCKING KIT SELECTION TABLE WITH HANDLE 07.10.13

KOD CODE	TANIM DESCRIPTION	ADET NUMBER	KANAT VENT
07.10.12 07.10.13 07.10.14	HAVUZLU KİLİT SLIDING LOCK	1	ATS58V01 ATS58V02 ATS58V13
16.05.05	SÜRME KİLİT ADAPTÖRÜ SLIDING LOCK ADAPTÖR	1	
07.11.03	KOL ÜSTÜ KARŞILIK STRIKER FOR HANDLE	1	





07.05.41

RESCARA AKUSTİK PENCERE KOLU
RESCARA ACOUSTIC HANDLE

Renk / Colour : Siyah-Beyaz-Gri
Black-White-Grey



07.05.42

RESCARA AKUSTİK PENCERE KOLU
RESCARA ACOUSTIC HANDLE

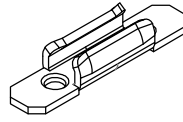
Renk / Colour : Siyah-Beyaz-Gri
Black-White-Grey



07.05.48

RESCARA GİZLİ SÜRME KOLU
RESCARA HIDDEN SLIDING HANDLE

Renk / Colour : Siyah-Beyaz-Gri
Black-White-Grey



16.05.08

SÜRME KİLİT KARŞILIĞI
STRIKER FOR SLIDING LOCK

07.05.41, 07.05.42, 07.05.48 PVC Kol İçin / For PVC Handle 07.05.41, 07.05.42, 07.05.48

07.18.XX

22 EKSEN SÜRME İSPANYOLETİ
22 AXIS STEEL GEARBOX SLIDING ESPOGNOLETTE

Renk / Colour : Siyah-Beyaz-Gri
Black-White-Grey

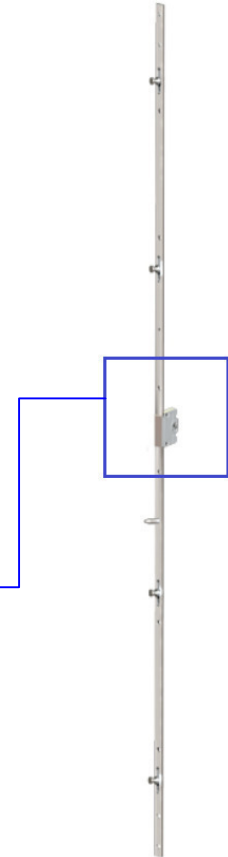
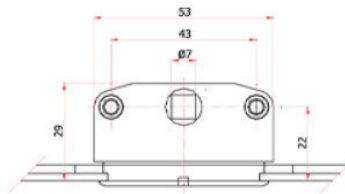


04.20.01

KARŞILIK ALT PLASTİK PARÇASI
TIN PLATE STRIKER FOR SLIDING LOCK

07.18.xx 22 EKSEN SÜRME İSPANYOLETİ 07.18.xx 22 AXIS STEEL GEARBOX SLIDING ESPOGNOLETTE

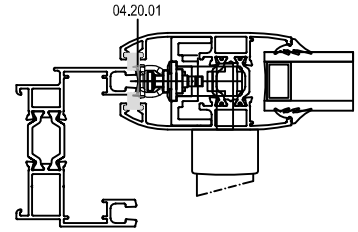
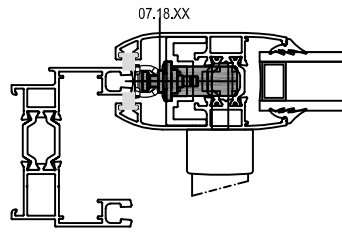
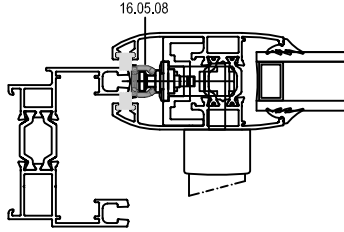
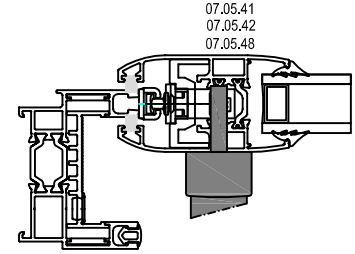
KOD CODE	ÖLÇÜ DIMENSION
07.18.24	h: 600mm-800mm / 22
07.18.25	h: 800mm-1000mm / 22
07.18.26	h: 1000mm-1200mm / 22
07.18.27	h: 1200mm-1400mm / 22
07.18.28	h: 1400mm-1600mm / 22
07.18.29	h: 1600mm-1800mm / 22
07.18.30	h: 1800mm-2000mm / 22
07.18.31	h: 2000mm-2200mm / 22



PVC KOL İLE KİLİTLEME SEÇİM TABLOSU

LOCKING KIT SELECTION TABLE WITH PVC HANDLE

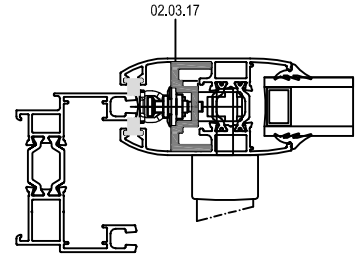
KOD CODE	TANIM DESCRIPTION	ADET NUMBER	KANAT VENT
07.05.41 07.05.42 07.05.48	PVC İSPANYOLET KOL PVC HANDLE	1	ATS58V02
16.05.08	SÜRME KİLİT KARŞILIĞI STRIKER FOR SLIDING LOCK	BKZ. 07.18.xx SEÇİM TABLOSU SEE 07.18.xx SELECTION TABLE	
04.20.01	SÜRME SAC KARŞILIĞI TIN PLATE STRIKER FOR SLIDING LOCK	BKZ. 07.18.xx SEÇİM TABLOSU SEE 07.18.xx SELECTION TABLE	
07.18.XX	TIJLI KİLİT SİSTEMİ ROD LOCKING SYSTEM	1	

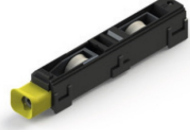


07.18.xx 22 EKSEN SÜRME İSPANYOLETİ

07.18.xx 22 AXIS STEEL GEARBOX SLIDING ESPOGNOLETTE

KOD CODE	ÖLÇÜ DIMENSION	16.05.08 ADET/NUMBER	04.20.01 ADET/NUMBER
07.18.24	h: 600mm-800mm / 22	2	2
07.18.25	h:800mm-1000mm / 22	2	2
07.18.26	h: 1000mm-1200mm / 22	3	3
07.18.27	h: 1200mm-1400mm / 22	3	3
07.18.28	h: 1400mm-1600mm / 22	3	3
07.18.29	h:1600mm-1800mm / 22	3	3
07.18.30	h:1800mm-2000mm / 22	4	4
07.18.31	h:2000mm-2200mm / 22	4	4



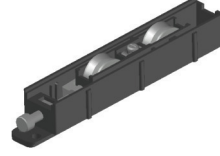


16.02.02

GIESSE AYARLI ÇİFTLİ RULMAN
GIESSE ADJUSTABLE CARRERA 2 PULLEYS

Malzeme / Material : Polyamid- Zamak
Polyamide -Zamak

2 Adet 180 kg taşıır. / 180 kg with 2 pulleys
EN 13126-15 : 2008



16.02.07

RESCARA AYARLI ÇİFTLİ RULMAN
RESCARA ADJUSTABLE CARRERA 2 PULLEYS

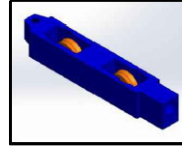
2 Adet 120 kg taşıır. / 120 kg with 2 pulleys



16.01.01

AYARLI TEKLİ RULMAN
PULLEY WITH SINGLE WHEEL

2 Adet 35 kg taşıır. / 35 kg with 2 pulleys
Max. kanat ölçüsü 600x1500/ Max. vent dimension 600x1500



16.01.02

AYARLI ÇİFTLİ RULMAN
ADJUSTABLE PULLEYS

2 Adet 65 kg taşıır. / 65 kg with 2 pulleys
Max. kanat ölçüsü 1000x2100/ Max. vent dimension 1000x2100



16.01.12

METAL TEKERLEKLİ AYARLI RULMAN
STEEL ADJUSTABLE PULLEYS

2 Adet 65 kg taşıır. / 65 kg with 2 pulleys
Max. kanat ölçüsü 1000x2100/ Max. vent dimension 1000x2100



16.01.13

METAL TEKERLEKLİ AYARLI RULMAN
PULLEY WITH SINGLE WHEEL

2 Adet 35 kg taşıır. / 35 kg with 2 pulleys
Max. kanat ölçüsü 600x1500/ Max. vent dimension 600x1500



16.02.06

SİNEKLİK RULMANI
SWATTER PULLEYS



16.06.02

ÇELİK RAY
STEEL RAIL

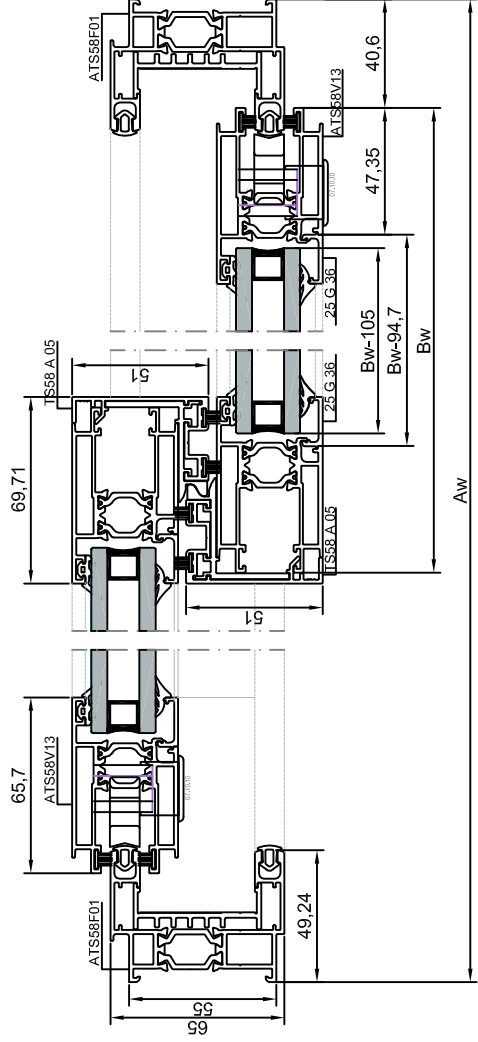
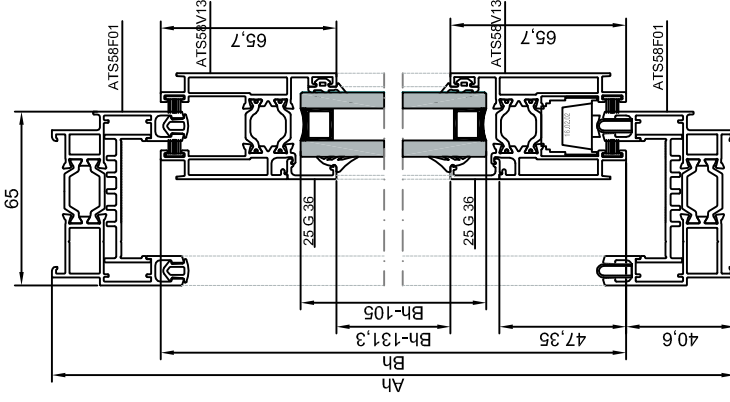
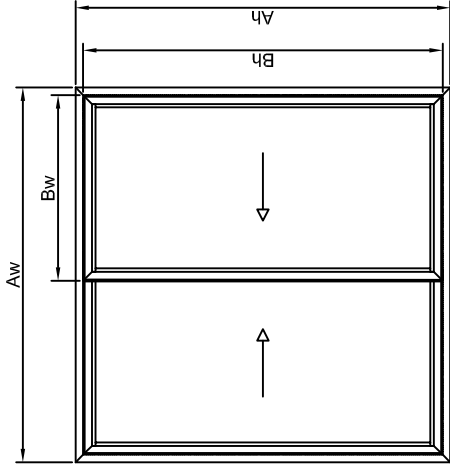
Malzeme / Material : Paslanmaz Çelik
Stainless Steel



21.01.07

PUNCH MAKİNESİ
PUNCH MACHINE

(PNÖMATİK)



PROFİLER / Profiles

KOD code	PROFİL profile	ADET unit	KESİM ÖLÇÜSÜ Cutting Dimension
ATSS8F01	A	2	A _w
ATSS8V13	B	2	A _h
25 G.36	G	4	B _w - 105
TS88 A.05	T	4	B _w - 94.7
TS88 A.05	T	4	G _w B _w - 131.3
TS88 A.05	T	2	T = B _h

ÇAM / Glass	ADET unit	KESİM ÖLÇÜSÜ Cutting Dimension
Çam # Bw-105	2	B _w - 105
Çam # Bh-105	2	B _h - 105

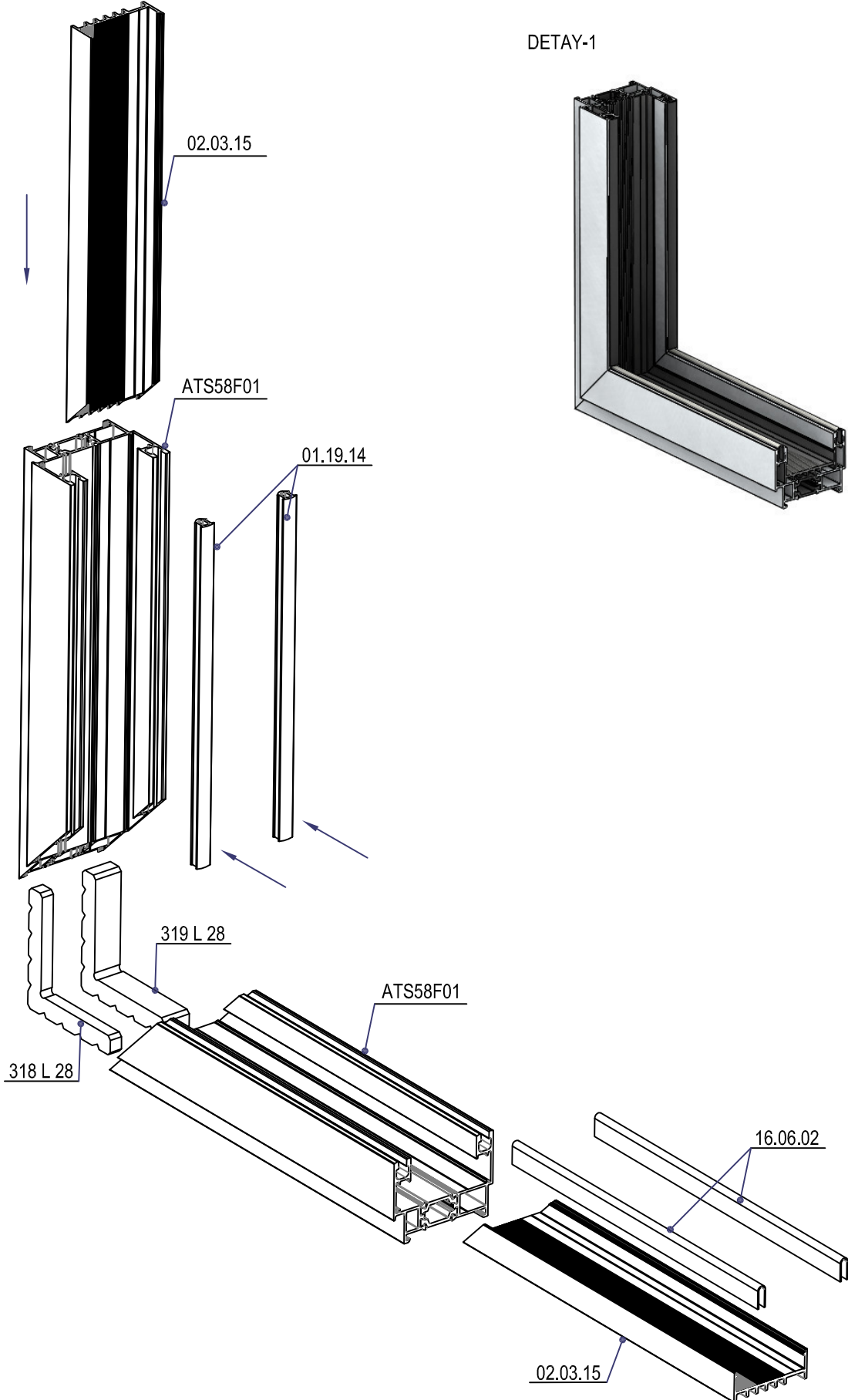
AKSESUARLAR / Accessories

KOD code	AÇIKLAMA description	ADET unit	KESİM ÖLÇÜSÜ Cutting Dimension
238 L.03	KÖŞE TAKOZU / corner cleat	8	8
238 L.32	KÖŞE TAKOZU / corner cleat	8	8
318 L.28	KÖŞE TAKOZU / corner cleat	4	4
318 L.28	KÖŞE TAKOZU / corner cleat	4	4
04.01.02	KOMİT SİBİLİYLEMİ / insect vent	8	8
04.07.19	PVC KÖŞE ÇAMUŞU / pvc corner cleat	8	8
04.10.27	KAMAT KAPAĞI / cap for vent	4	4
04.11.08	SİZİRMEZLİK PANGOSU / sealing gasket	2	2
04.15.01	PVC TAPA / pvc plug	2x4	2x4
07.10.10	HANUZLU KLİT / lifting bolt	2	2
16.05.05	SİRNİE KLİT ADAPTÖRÜ / lifting lock adapter	2	2
07.11.03	KOL ÜSTÜ KAREŞİKLİ SİRNİE / handle for handle	2	2
16.03.02	RULMAN / giasse adjustable camera	4	4

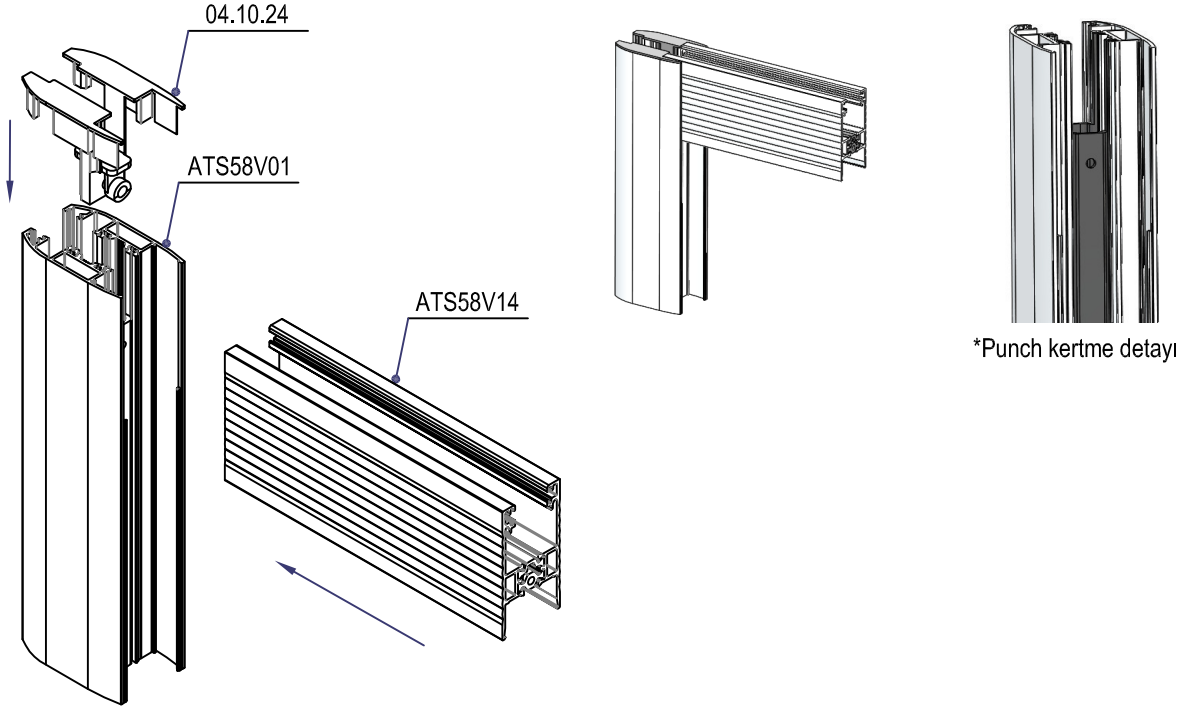
FİTİLER / Gaskets

KOD code	AÇIKLAMA description	ADET unit	KESİM ÖLÇÜSÜ Cutting Dimension
01.16.19	DİŞ ÇAM FİTİLİ		4Ah*2Aw
01.17.08	İÇ ÇAM FİTİLİ		4Ah*2Aw
02.03.15	PVC YALITIM ADAPTÖRÜ		2Ah*2Aw
02.03.20	ORTA KENET ADAPTÖRÜ		2Ah
16.06.02	PELİK SİY		2Aw
17.01.02	FİRÇA FİTİL		8Ah*4Aw
01.16.14	SİRNİE ORTA FİTİL		4Ah*2Aw

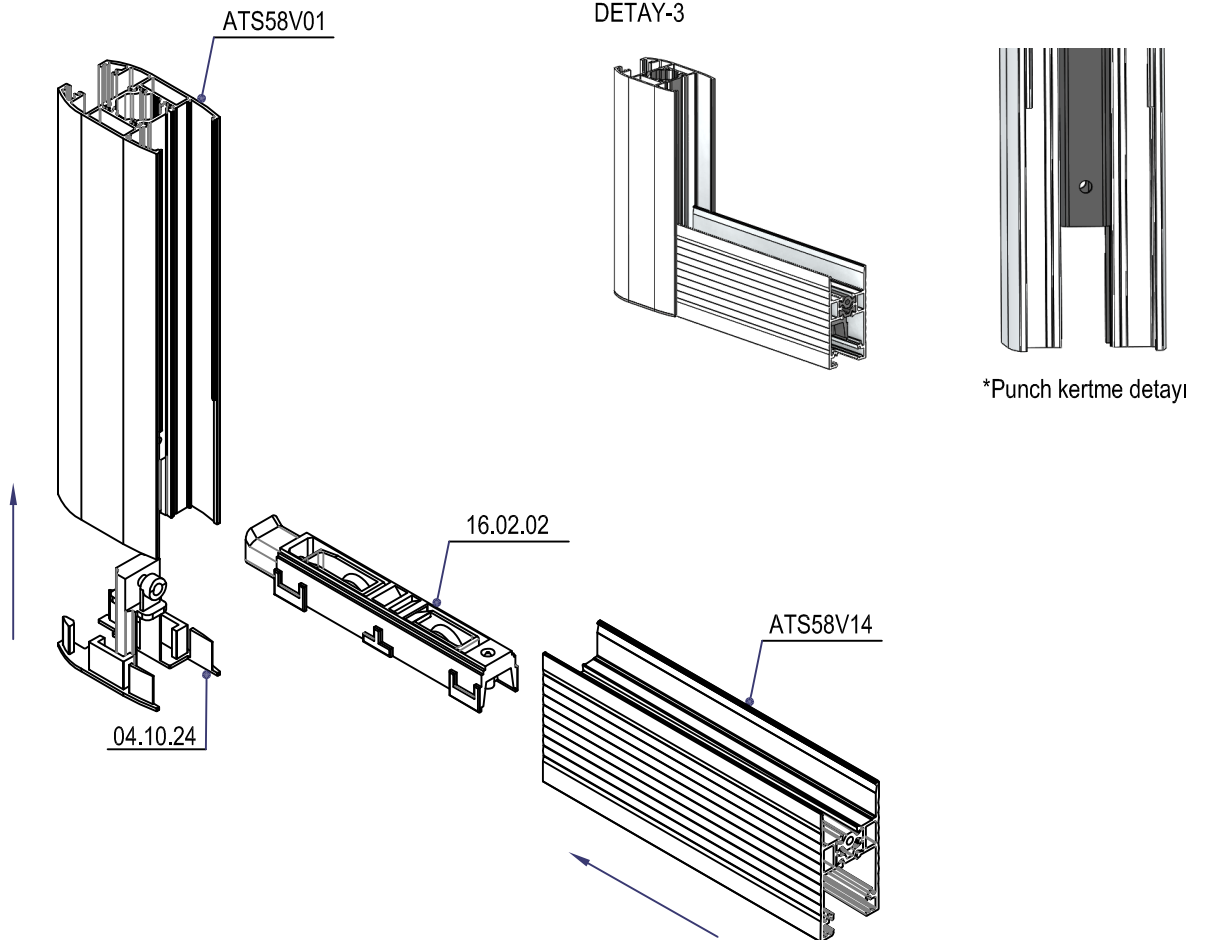
(1) KASA KÖŞE BAĞLANTI DETAYI
FRAME CORNER DETAIL



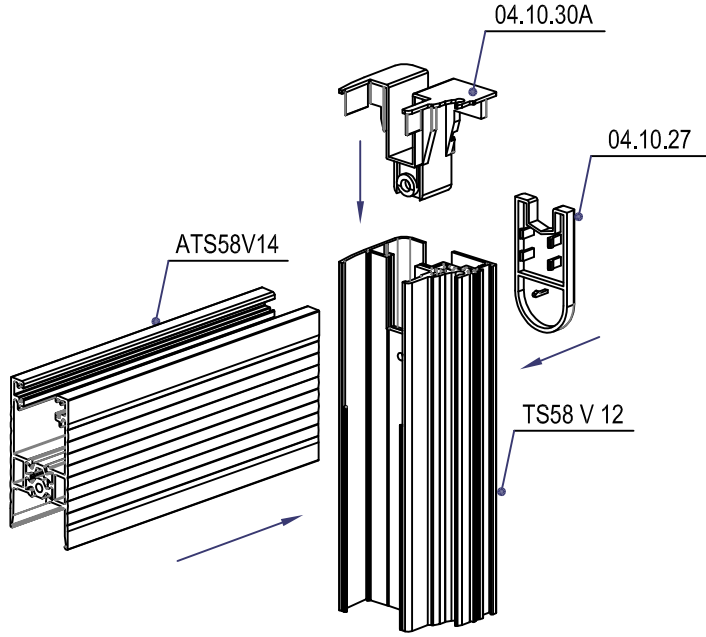
(2) DÜŞEY - YATAY KANAT BAĞLANTI DETAYI (ÜST)
VERTICAL & HORIZONTAL VENT CONNECTION DETAIL (UPPER)



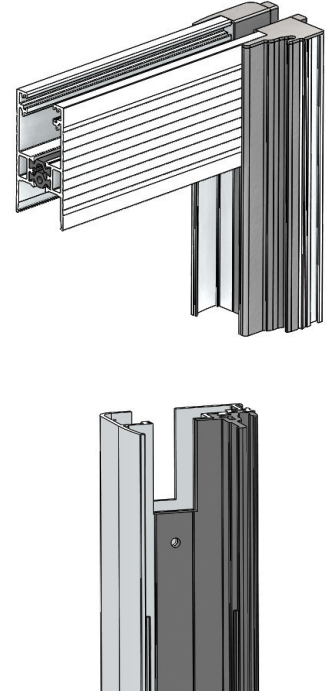
(3) DÜŞEY - YATAY KANAT BAĞLANTI DETAYI (ALT)
VERTICAL & HORIZONTAL VENT CONNECTION DETAIL (BOTTOM)



(4) DÜŞEY - YATAY KANAT BAĞLANTI DETAYI (ÜST)
VERTICAL & HORIZONTAL VENT CONNECTION DETAIL (UPPER)



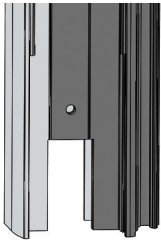
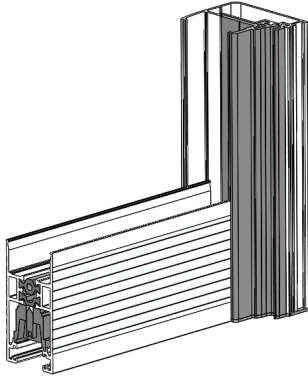
DETAY-4



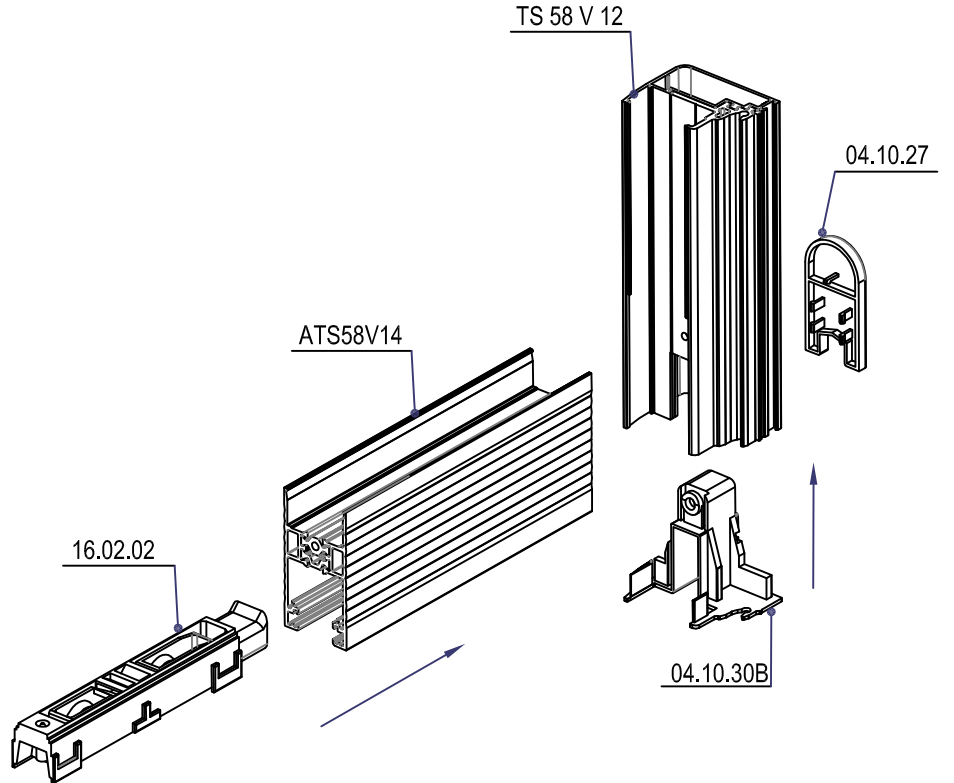
*Punch kertme detayı

(5) DÜŞEY - YATAY KANAT BAĞLANTI DETAYI (ALT)
VERTICAL & HORIZONTAL VENT CONNECTION DETAIL (BOTTOM)

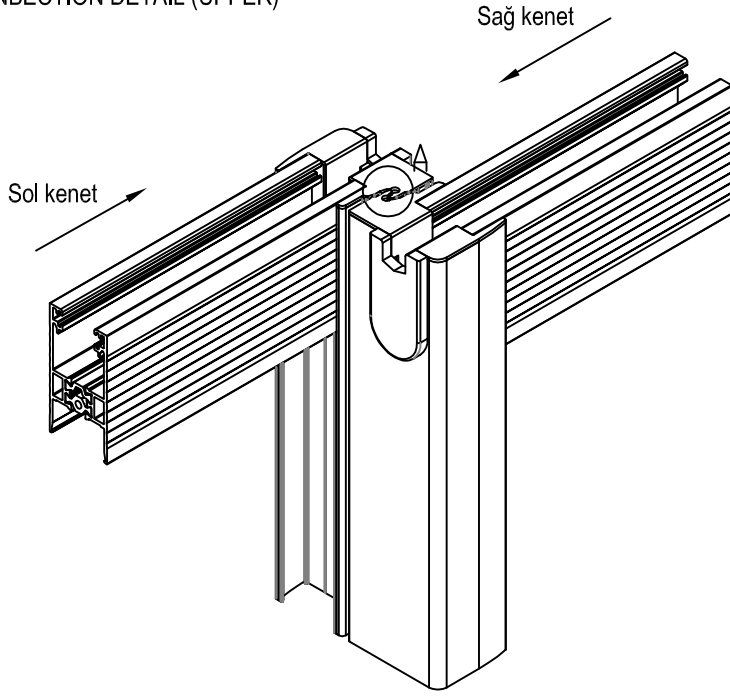
DETAY-5



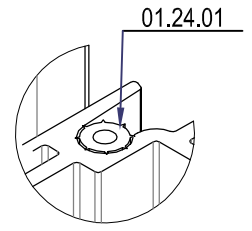
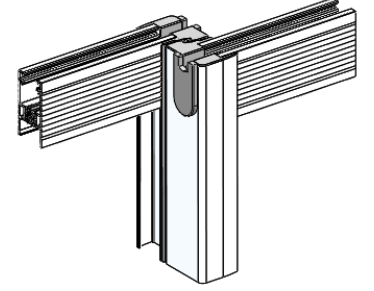
*Punch kertme detayı



(6) KENET BAĞLANTI DETAYI (ÜST)
CONNECTION DETAIL (UPPER)



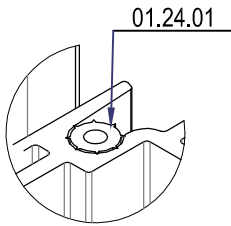
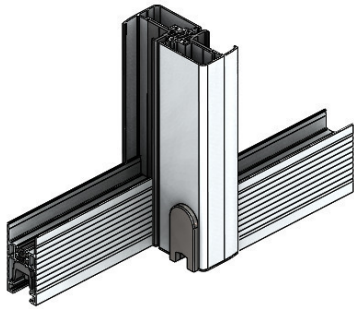
DETAY-6



Detay/Detail-A
Ölçek/Scale 2:1

(7) KENET BAĞLANTI DETAYI (ALT)
CONNECTION DETAIL (BOTTOM)

DETAY-7



Detay/Detail-B
Ölçek/Scale 2:1

