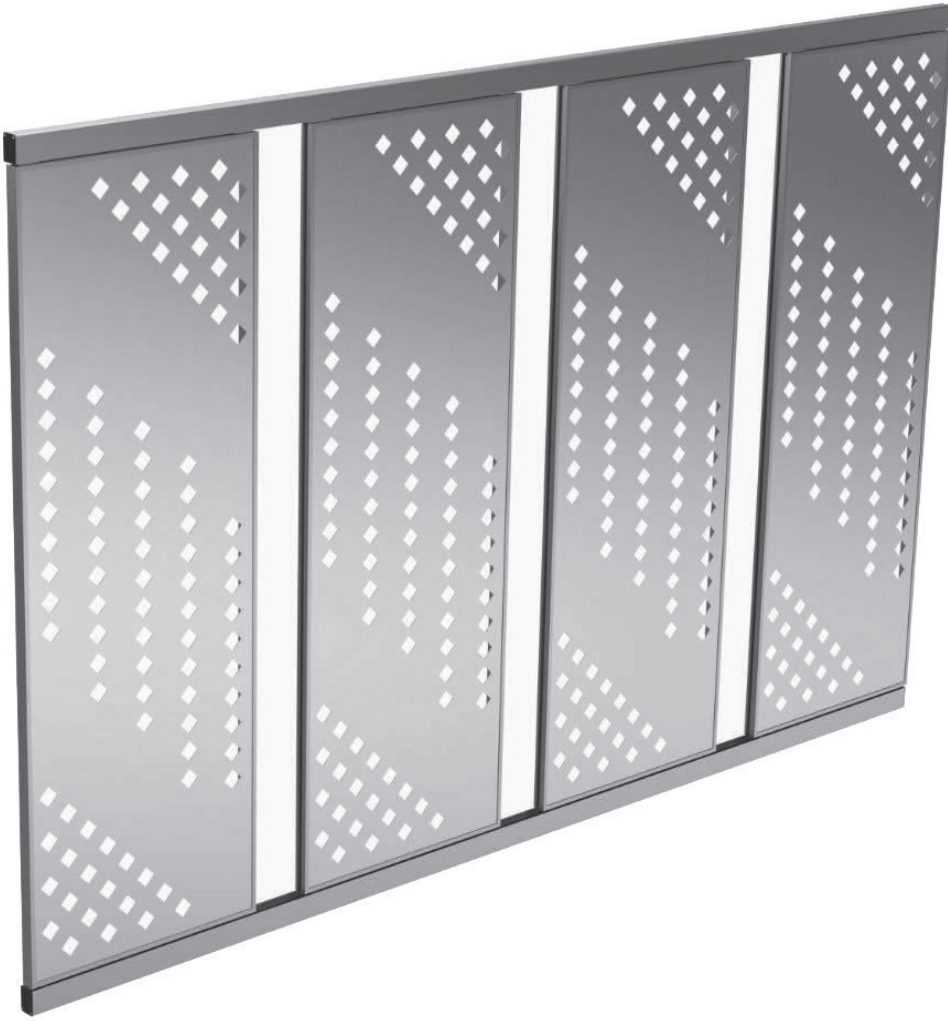


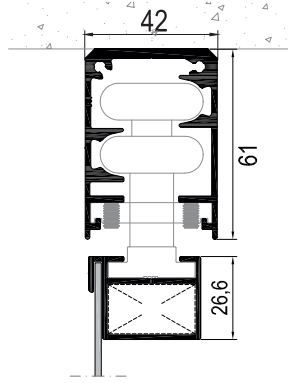
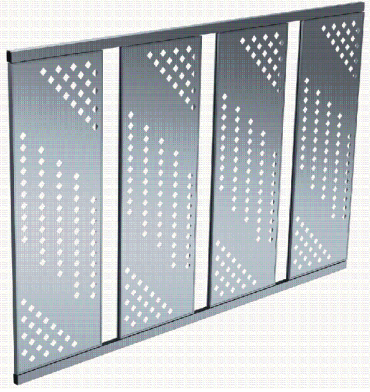
# MİMARİ KATALOG

## ARCHITECTURAL CATALOGUE

Alüminyum Kapı Pencere ve Giydirme Cephe Sistemleri  
Aluminium Window Doors and Facade Systems



# SN42



### TEKNİK ÖZELLİKLERİ / TECHNICAL PROPERTIES

<b>KASA DERİNLİĞİ / FRAME DEPTH</b>	61 mm
<b>KANAT DERİNLİĞİ / VENT DEPTH</b>	31,3 mm
<b>PROFİL ET KALINLIĞI / PROFILE WALL THICKNESS</b>	1,5 / 1,8 mm
<b>LEVHA KALINLIĞI / SHEET THICKNESS</b>	2 mm

# MİMARİ KATALOG

## ARCHITECTURAL CATALOGUE

Alüminyum Kapı Pencere ve Giydirme Cephe Sistemleri  
Aluminium Window Doors and Facade Systems

# SN42

PROFİLLER

PROFILES

01

02

03

04

05

06

07

08

09

10

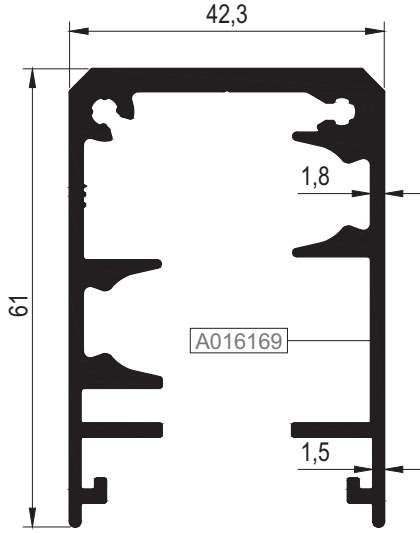
11

12

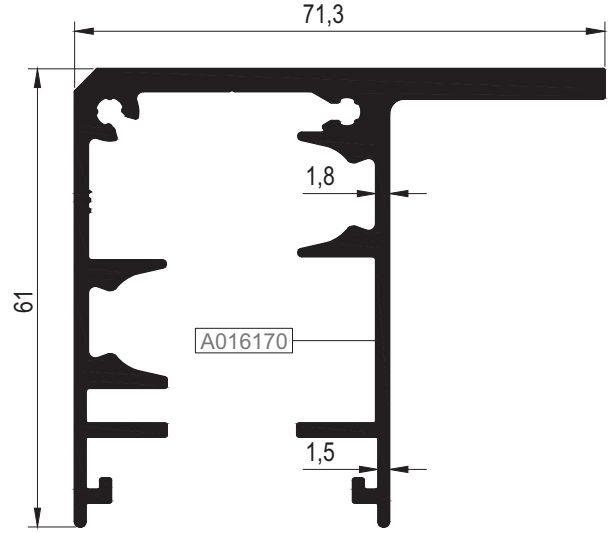
13

KOD / CODE	AĞIRLIK (kg/m) / WEIGHT	Jxx cm <sup>4</sup>	Jyy cm <sup>4</sup>	L m	
SN42 F 01	1,438	15,071	19,328	6	
SN42 F 02	1,767	28,153	23,802	6	
SN42 V 01	0,535	1,689	3,227	6	
SN42 V 02	0,531	1,667	3,126	6	
SN42 M 01	0,430	0,518	1,540	6	
SN42 A 01	0,089	----	----	6	

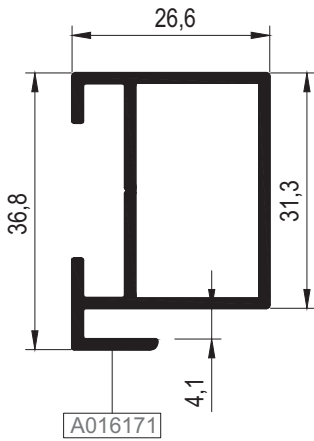
SN42 F 01



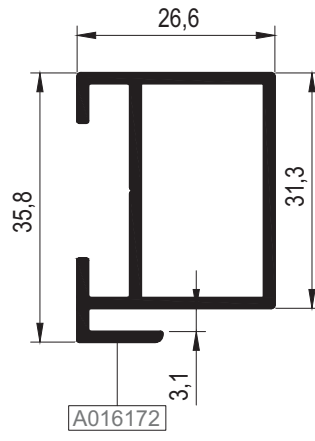
SN42 F 02



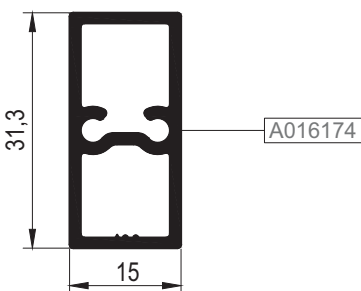
SN42 V 01



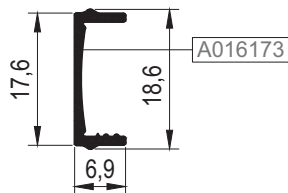
SN42 V 02



SN42 M 01



SN42 A 01



# MİMARİ KATALOG

## ARCHITECTURAL CATALOGUE

Alüminyum Kapı Pencere ve Giydirme Cephe Sistemleri  
Aluminium Window Doors and Facade Systems

# SN42

DETAYLAR

DETAILS

01

02

03

04

05

06

07

08

09

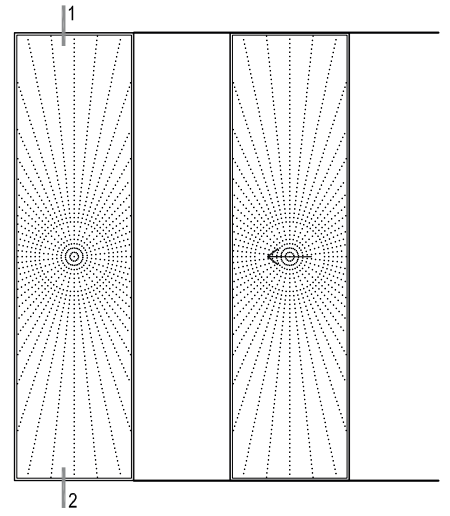
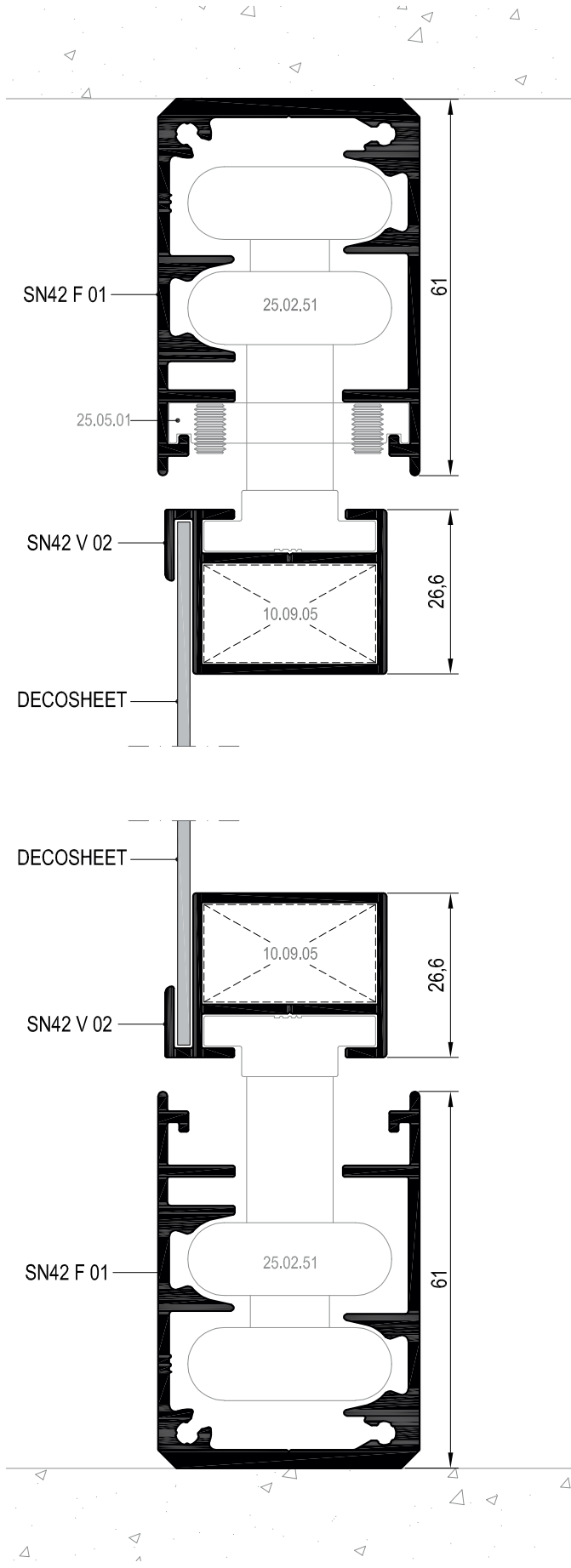
10

11

12

13

- 01
- 02
- 03
- 04
- 05
- 06
- 07
- 08
- 09
- 10
- 11
- 12
- 13



① DETAYI  
DETAIL

② DETAYI  
DETAIL

01

02

03

04

05

06

07

08

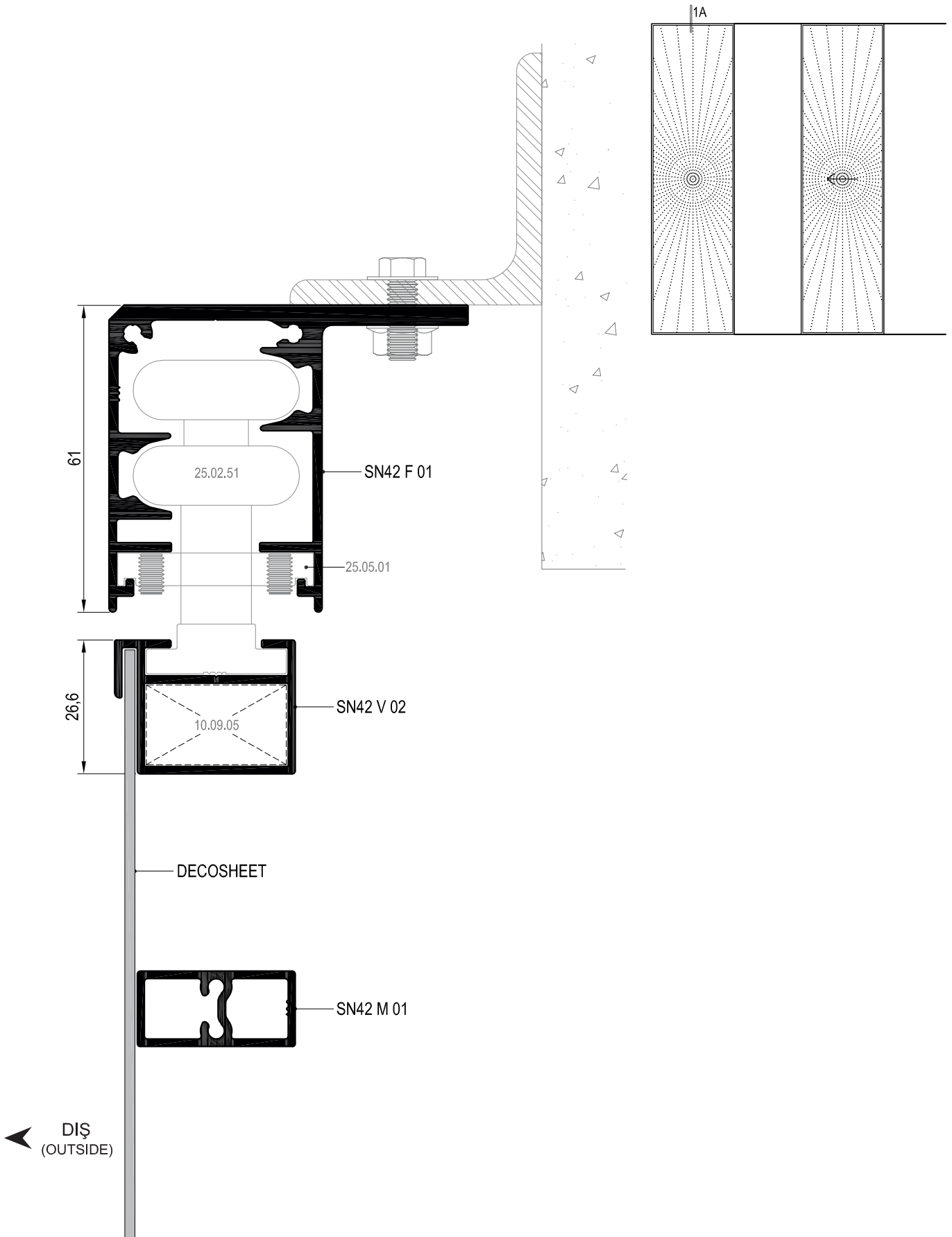
09

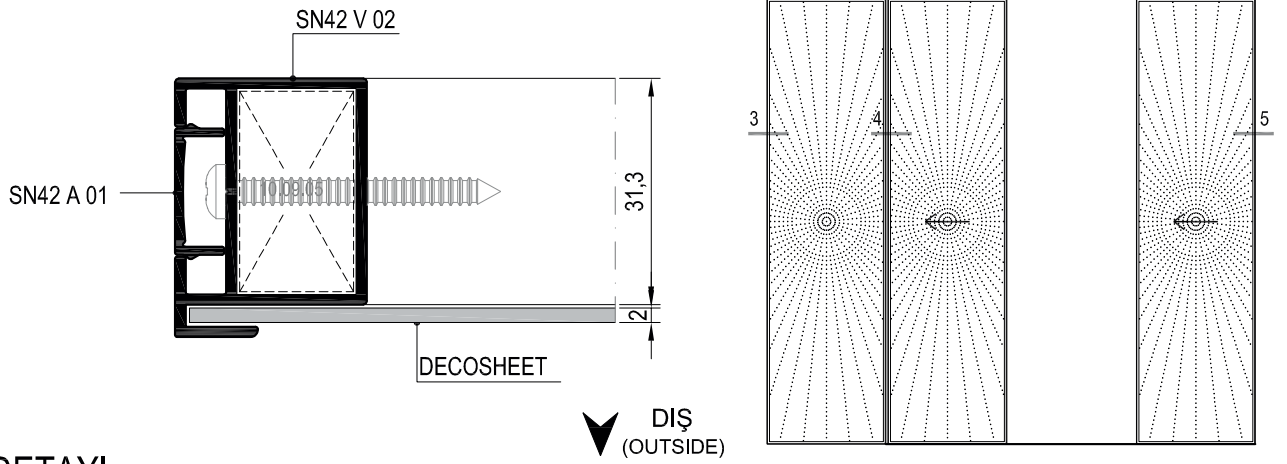
10

11

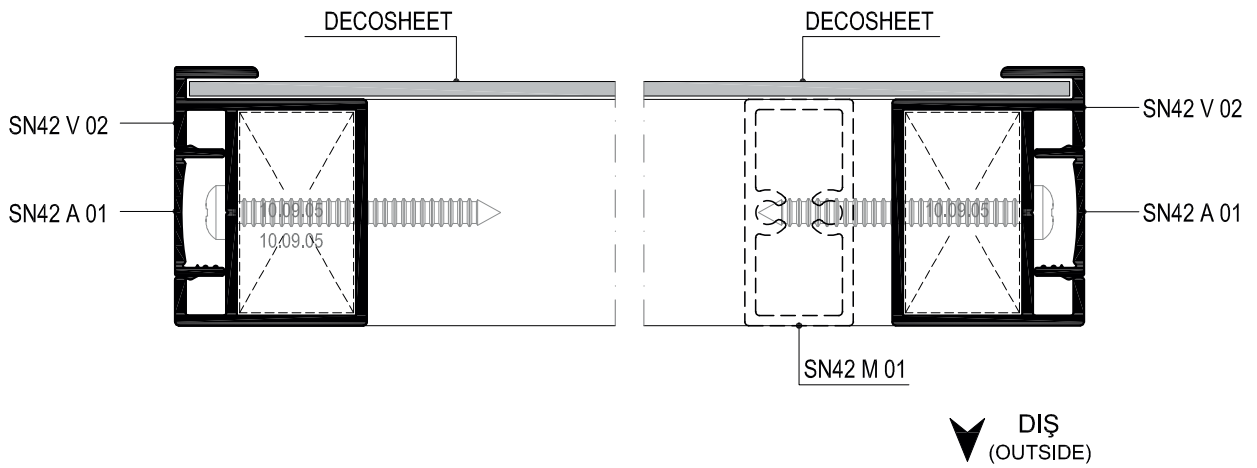
12

13

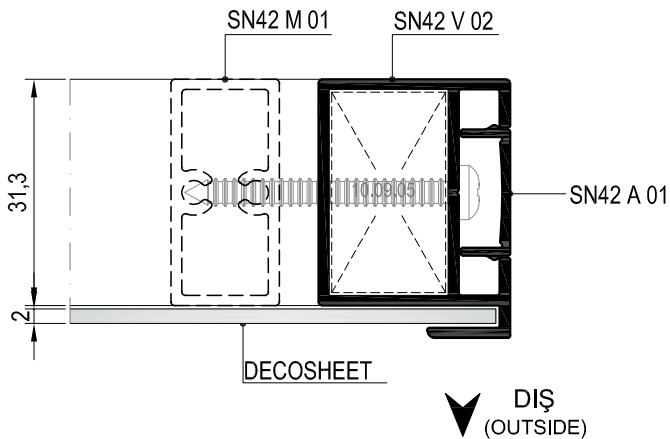




③ DETAYI  
DETAIL



④ DETAYI  
DETAIL



⑤ DETAYI  
DETAIL



# MİMARİ KATALOG ARCHITECTURAL CATALOGUE

Alüminyum Kapı Pencere ve Giydirme Cephe Sistemleri  
Aluminium Window Doors and Facade Systems

# SN42

AKSESUARLAR

ACCESSORIES

01

02

03

04

05

06

07

08

09

10

11

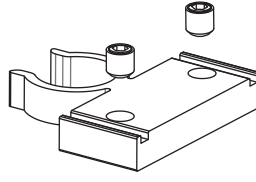
12

13



25.02.51

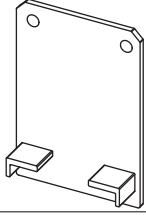
RULMAN  
ROLLER



25.05.01

STOPER  
STOPER

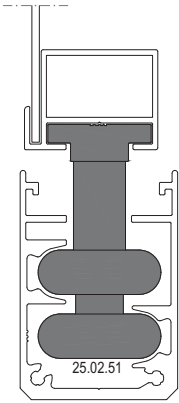
Malzeme / Material : PVC



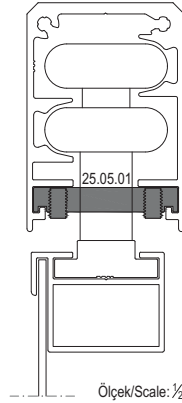
25.05.02

KAPAK  
CAP

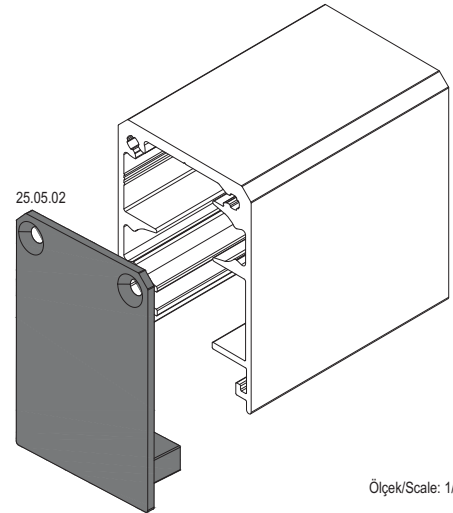
Malzeme / Material : PVC



Ölçek/Scale: 1/2



Ölçek/Scale: 1/2



Ölçek/Scale: 1/2